
SERVICE INFORMATION

BOOTH EQUIPMENT

Each 10' x 10' booth will be set up with 8' high blue and gray back drape, 3' high blue side dividers and booths 300 sqft or less will receive a 7" x 44" one-line identification sign. Booths larger than 300 sqft may receive a one-line identification sign upon request.

EXHIBIT HALL CARPET

The exhibit area is NOT carpeted; however, the aisles will be carpeted in tuxedo. The Stormwater Pavilion aisles will be carpeted in gray.

DISCOUNT PRICE DEADLINE DATE

Order early on [FreemanOnline](#) to take advantage of advance order discount rates, place your order by February 24, 2020.

SHOW SCHEDULE

EXHIBITOR MOVE-IN

Sunday March 15, 2020 8:00 AM - 4:30 PM

EXHIBIT HOURS

Monday March 16, 2020 10:00 AM - 6:15 PM
Tuesday March 17, 2020 10:00 AM - 3:45 PM

EXHIBITOR MOVE-OUT

Tuesday March 17, 2020 3:45 PM - 6:00 PM

We will begin returning empty containers at the close of the show.

DISMANTLE AND MOVE-OUT INFORMATION

All exhibitor materials must be removed from the exhibit facility by Tuesday, March 17, 2020 at 6:00 PM.

To ensure all exhibitor materials are removed from the exhibit facility by the Exhibitor Move-Out deadline, please have all carriers check-in by Tuesday, March 17, 2020 at 5:00 PM.

POST SHOW PAPERWORK AND LABELS

Our Exhibitor Services Department will gladly prepare your outbound Material Handling Agreement and labels in advance. Complete the Outbound Shipping form and your paperwork will be available at show site. Be sure your carrier knows the company name and booth number when making arrangements for shipping your exhibit at the close of the show.

EXCESSIVE TRASH AND BOOTH ABANDONMENT

Any excessive trash which consists of display materials, carpet, padding, crates and/or pallets will be disposed of and charged both a handling fee and disposal fee during move-in. Excessive booth materials and/or literature left in the booth at the end of the published exhibitor move-out that is not labeled for an outbound shipment will be considered abandoned and deemed as trash. The exhibitor will be charged for the removal and disposal of these items. Charges may include Installation & Dismantle Labor, Forklift/Rigging Labor, and/or Dumpster Fee. Please call our Exhibitor Services Department at (615) 884-5785 for a quote.

SERVICE CONTRACTOR CONTACTS / INFORMATION:**FREEMAN**

1701 Lebanon Pike Circle
Nashville, TN 37210
(615) 884-5785 fax (469) 621-5615
FreemanNashvilleES@freeman.com

FREEMAN EXHIBIT TRANSPORTATION

(800) 995-3579 Toll Free US & Canada or +1 (512) 982-4187 or +1 (817) 607-5183 Local & International Shipping Services or fax +1 (469) 621-5810 or email exhibit.transportation@freeman.com

FREEMAN ONLINE®

Take advantage of discount pricing by ordering online at [FreemanOnline](#) by February 24, 2020. Using the enhanced Freeman Online, you will enjoy easy access to added features and functions as well as the high caliber of Freeman services you've come to expect - **before, during** and **after** your show.

To place online orders you will be required to enter your unique Username and Password. If this is your first time to use Freeman Online, click on the "**Create an Account**" link. To access Freeman Online without using the email link, visit [FreemanOnline](#).

If you need assistance with Freeman Online please call our Customer Support Center at (888) 508-5054 Toll Free US & Canada or +1 (512) 982-4186 or +1 (817) 607-5000 Local & International.

SHIPPING INFORMATION

Warehouse Shipping Address:

Exhibiting Company Name / Booth # _____

WEF ODORS & STORMWATER 2020 CONFERENCE

C/O FREEMAN / UPS FREIGHT

3250 E KEMPER RD

SHARONVILLE, OH 45241

Freeman will accept crated, boxed or skidded materials beginning Friday, February 14, 2020, at the above address. Material arriving after March 09, 2020 will be received at the warehouse with an additional after deadline charge. Please note that the Freeman Warehouse does not accept uncrated freight (loose, pad-wrapped material and/or unskidded machinery), COD shipments, hazardous materials, freight requiring refrigerated or frozen storage, a single piece of freight weighing more than 5,000 pounds or a single piece of freight beyond the dimensions of 108" H x 93" W. Warehouse materials are accepted at the warehouse Monday through Friday between the hours of 8:00 AM - 3:30 PM. Certified weight tickets must accompany all shipments. If required, provide your carrier with this phone number: (615) 884-5785.

Show Site Shipping Address:

Exhibiting Company Name / Booth # _____
WEF ODORS & STORMWATER 2020 CONFERENCE
C/O FREEMAN
DUKE ENERGY CONVENTION CENTER
525 ELM ST
(RECEIVING DOCK LOCATED AT 6TH AND PLUM ST)
CINCINNATI, OH 45202

Freeman will receive shipments at the exhibit facility beginning Sunday, March 15, 2020. Shipments arriving before this date may be refused by the facility. Any charges incurred for early freight accepted by the facility are the responsibility of the Exhibitor. Certified weight tickets must accompany all shipments. If required, provide your carrier with this phone number: (615) 884-5785.

Please note: All materials received by Freeman are subject to Material Handling Charges and are the responsibility of the Exhibitor. This also applies to items not ordered through the Official Show Vendors.

Refer to the material handling form for charges for the service.

Please be aware that disposal of exhibit properties is not included as part of your material handling charges. Please contact Freeman for your quoted rates and rules applicable to disposal of your exhibit properties.

LABOR INFORMATION

Union Labor may be required for your exhibit installation and dismantle. Please carefully read the UNION RULES AND REGULATIONS to determine your needs. Exhibitors supervising Freeman labor will need to pick up and release their labor at the Service Desk. Refer to the order form under Display Labor for Straight time and Overtime hours.

ASSISTANCE

We want you to have a successful show. If we can be of assistance, please call our Exhibitor Services Department at (615) 884-5785.

WE APPRECIATE YOUR BUSINESS!

FREEMAN GENERAL INFORMATION

TRANSLATION SERVICES

Freeman is pleased to offer a new service for our international exhibitors that provides quick interpretation and translation in 150 languages. This service will not only interpret for us on a three way conversation, but also translate emails from customers. To access this feature you may contact Freeman Exhibitor Services at (615) 884-5785 or Freeman's Customer Support Center at (888) 508-5054.

HELPFUL HINTS

SAVE MONEY

Order early on [FreemanOnline](#) to take advantage of advance order discount rates, place your order by February 24, 2020.

AVOID DELAY

Ship early to avoid delays. Shipments arriving late at show site will cost you money, time and business!

SAFETY TIPS

Use a ladder, not a chair. Standing on chairs, tables and other rental furniture is unsafe and can cause injury to you or to others. These objects are not designed to support your standing weight.

Be aware of your surroundings. You are in an active work area with changing conditions during move-in and move-out. Pay attention. Look for obstacles, machinery and equipment that are in use.

Keep your eyes open for scooters and forklifts. The drivers of these vehicles may not be able to see you.

Stay clear of dock areas, trucks and trailers. These areas can be particularly dangerous.

Prevent electrical shocks, falling items and damage to materials. Do not attach items or equipment to the drapes or metal framework provided for your booth. This can cause serious injury or damage to materials.

We discourage children from being in the exhibit hall during installation and dismantle. If children are present during installation and dismantle, they must be supervised by an adult at all times.

Freeman does not ship or handle Hazardous Materials. If any materials you are shipping to the event fall into this category, please contact Freeman to be sure the material will be allowed at the facility and by the association. In addition, if authorized by the facility and the association, you will need to make separate arrangements for the transport and handling of the approved materials, since Freeman will not transport or handle them.

The operation or use of all motorized lifts and motorized material handling equipment for installation/dismantle of exhibits is NOT permitted by exhibitors or by their exhibitor appointed contractors (EAC's). Thank you for your cooperation.

EXHIBITOR ASSISTANCE

For more information and helpful hints on pre-show procedures and move-in and post-show procedures and move-out, please contact Freeman Nashville Exhibitor Services at (615) 884-5785.

Call Freeman's Exhibitor Services department at (615) 884-5785 with any questions or needs you may have.

Interested in going green and saving money?

Follow these tips to make sure your sustainable booth strategies are cost-neutral or even cost-saving! Leave an impact on the show floor, not the environment.



1 BEFORE THE SHOW

booth structure

Option 1 Multiple Use

Use **Forest Sustainable Certified (FSC)** wood to build your booth and crates.

Get creative! Design your booth with a **small shipping footprint** to minimize carbon emissions. Freeman's eye-catching stretch-fabric booth designs pack up small (and light!) for shipping.

Option 2 One-time Use

Rent locally from nearby Freeman offices to reduce both shipping costs and carbon emissions.

2 carpet

Option 1 Rent

Rent rather than buy carpet to save on shipping, cleaning, and storage. Freeman Classic carpet can be reused at least four times.

Option 2 Color

Use darker-colored carpet, which is easier to reuse and recycle. Freeman Classic dark-colored carpets are made of 20-50 percent recycled content.



3 shipping



Online + before deadline = better bottom line. Take advantage of early-bird pricing and consolidate shipping when ordering supplies.



Choose reusable shipping padding. Avoid packing peanuts and foam plastic materials that never decompose.



Ship early. Use the 30-day policy to ship materials to the Freeman advance warehouse.

4 graphics

Option 1 Multiple Use

Print on a durable substrate **without dates, event names, or locations.**

Option 2 One-time Use

Print on 100 percent recyclable materials like Freeman Honeycomb and Smartbuild Eco, which are just as cost-effective as PVC.

5 printing



Reduce printing and **go digital** with your booth literature.



Print locally. Supporting local businesses while reducing shipping? It's a win-win.



Print on at least **50 percent post-consumer recycled paper.**

6

ON SITE

save energy



Use Energy Star-rated equipment for audio-visual equipment and monitors.



Power down. Turn off equipment at the end of each day.



Light up your booth with CFLs, LEDs, or other energy-efficient lighting.

8

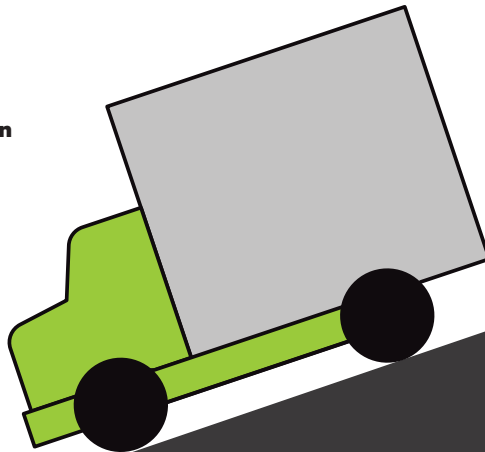
shipping out

Pack in, pack out.

Leave no traces on show site.

Join a caravan.

If you're shipping directly to another show, ask **Freeman Transportation about joining a caravan** to your next show.



9

leftover materials

Remember to label.

Clearly **label recyclable leftover material** for disposal.

Donate the rest.

Ask the Freeman Exhibitors Services desk about local donation programs.

TYPICALLY* RECYCLABLE

Cardboard: Used for signs or shipping boxes

Glass: Green, brown, clear

Plastics: Shrink-wrap or plastic banding used to secure shipments; water/soda bottles; plexiglass (acrylics) clear, smoked, or tinted; Visqueen used to protect flooring

Metal: Aluminum cans/ steel banding

Paper: Fliers, brochures, programs, tickets, office paper, newspaper, magazines, paperboard

Wood: Non-laminate wood

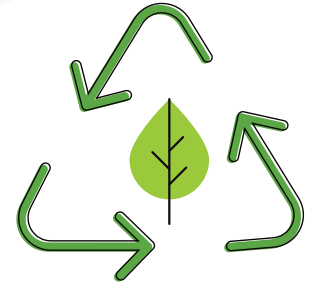
TYPICALLY* DONATE-ABLE

Furniture: Purchased items
Home furnishing: Décor staging materials

Unused raw materials: Plywood, subflooring, non-laminate wood

Flooring: 100 square feet of flooring. Excludes carpet.

Left over giveaways: Pens, pads of paper, sunglasses, USBs, etc., left over in your promotional giveaway



FREEMAN

1701 Lebanon Pike Circle
Nashville, TN 37210

Ph: (615) 884-5785 • Fax: (469) 621-5615

DISCOUNT PRICE
DEADLINE DATE
FEBRUARY 24, 2020

NAME OF SHOW: **WEF ODORS & STORMWATER 2020 CONFERENCE / MARCH 15 - 18, 2020**

COMPANY NAME: _____ BOOTH#: _____

ADDRESS: _____ BOOTH SIZE _____ X _____

CITY/STATE/ZIP: _____

CONTACT NAME: _____ PHONE #: _____

CONTACT EMAIL: _____

Payment Information

Freeman only accepts payment information electronically. Place your order on FreemanOnline or follow the steps below to provide your payment information electronically and submit your order forms.
Freeman will no longer accept cash payments for any Freeman Services.

1. Submit your payment information

Proceed to our electronic Freeman Pay site to securely submit your payment information
<https://www.freemanpay.com/494801>

2. Submit your order

Upload your order forms through the same link used to submit your payment information

- Both your order and your payment must be received by the discount deadline date to guarantee discount pricing.
- Orders received without payment or after the discount price deadline date will be charged at the standard price.
- Copies of invoices may be picked up from the Freeman Service Center prior to show closing.

FREEMAN method of payment

PAYMENT & LABOR

YOU ARE ENTERING A CONTRACT WHICH LIMITS YOUR POSSIBLE RECOVERY IN CASE OF LOSS OR DAMAGE.

The terms and conditions set forth below become a part of the Contract between FREEMAN and you, the EXHIBITOR. Acceptance of said terms and conditions will be construed when any of the following conditions are met:

- THE METHOD OF PAYMENT FORM IS SIGNED; OR
- AN ORDER FOR LABOR, SERVICES AND/OR RENTAL EQUIPMENT IS PLACED BY EXHIBITOR WITH FREEMAN; OR
- WORK IS PERFORMED ON BEHALF OF EXHIBITOR BY LABOR SECURED THROUGH FREEMAN.

DEFINITIONS

For purposes of this Contract, "FREEMAN" or "The Freeman Companies" means Freeman Expositions, LLC., Freeman Expositions, Ltd., Freeman Audio Visual, Inc., Exhibit Surveys, LLC., Freeman Exhibit, Freeman Transportation, FreemanXP, LLC., Stage Rigging, LLC., The Freeman Company, Freeman Electrical, LLC., Freeman Digital Ventures, LLC., and their respective employees, directors, officers, agents, assigns, affiliated companies, and related entities including, but not limited, to any subcontractors FREEMAN may appoint. The term "EXHIBITOR" means the Exhibitor, its employees, agents, representatives, and any Exhibitor Appointed Contractors ("EAC").

PAYMENT TERMS

Full payment, including any applicable tax, is due in advance or at show site. All payments must be in U.S. secure funds and all checks must be drawn on a U.S. bank. Orders received without advance payment or after the deadline date will incur additional charges as indicated on each order form. Payment for Audio Visual services and equipment is due in advance of move-in, unless otherwise agreed in writing with Freeman. All materials and equipment are on a rental basis for the duration of the show or event and remain the property of FREEMAN except where specifically identified as a sale. All rentals (excluding Audio Visual equipment and computers) include delivery, installation, and removal from EXHIBITOR'S booth. Rental prices on Audio Visual equipment and computers do not include labor, delivery, electrical services or removal of the equipment from the booth. In case of cancellation of any orders or services by EXHIBITOR, a one-hour "per person, per hour" charge will be applied for all labor orders that are not canceled in writing at least 24 hours prior to the scheduled start time. If Prestige Carpet, Custom-Cut Carpet, Modular Rental Exhibits and any other custom-order items or services have already been provided at the time of cancellation, fees will remain at 100% of the original charge. Audio Visual orders cancelled within 7 days from the show opening date will be charged a one-day rental rate on equipment. On-site cancellation of Audio Visual services will result in a one-day rental charge of equipment and any applicable labor. If the Show or Event is canceled because of reasons beyond FREEMAN'S control, EXHIBITOR remains responsible for all charges for services and equipment provided up to and including the date of cancellation. FREEMAN will not issue refunds to EXHIBITOR of any payments made before the date of cancellation. It is EXHIBITOR'S responsibility to advise the FREEMAN Service Center Representative of problems with any orders, and to check the EXHIBITOR'S invoice for accuracy prior to the close of the Show or Event. If EXHIBITOR is exempt from payment of sales tax, FREEMAN requires an exemption certificate for the State in which the services are to be used. Resale certificates are not valid unless EXHIBITOR is rebilling these charges to its customers. For International EXHIBITORS, FREEMAN requires 100% prepayment of advance orders, and any order or services placed at show site must be paid at the show. For all others, should there be any pre-approved unpaid balance after the close of the show; terms will be net, due and payable in DALLAS, TEXAS upon receipt of invoice. Effective 30 days after invoice date, any unpaid balance will bear a FINANCE CHARGE at the lesser of the maximum rate allowed by applicable law, or 1.5% per month, which is an ANNUAL PERCENTAGE RATE of 18%, and future orders will be on a prepaid basis only. If any finance charge hereunder exceeds the maximum rate allowed by applicable law, the finance charge shall automatically be reduced to the maximum rate allowed, and any excess finance charge received by FREEMAN shall be either applied to reduce the principal unpaid balance or refunded to the payer. If past due invoices or invoice balances are placed with a collection agency or attorney for collection or suit, EXHIBITOR agrees to pay all legal and collection costs. THESE PAYMENT TERMS AND CONDITIONS SHALL BE GOVERNED BY AND CONSTRUED IN ACCORDANCE WITH THE LAWS OF THE STATE OF TEXAS. In the event of any dispute between the EXHIBITOR and FREEMAN relative to any loss, damage, or claim, such EXHIBITOR shall not be entitled to and shall not withhold payment, or any partial payment, due to FREEMAN for its services, as an offset against the amount of any alleged loss or damage. Any claims against FREEMAN shall be considered a separate transaction, and shall be resolved on its own merits. FREEMAN reserves the right to charge EXHIBITOR for the difference between the EXHIBITOR'S estimate of charges and the actual charges incurred by EXHIBITOR, or for any charges that FREEMAN may be obligated to pay on behalf of EXHIBITOR, including without limitation, any shipping charges. If EXHIBITOR provides a credit card for payment and the credit card transaction is declined, EXHIBITOR hereby authorizes Freeman to process the outstanding balance in multiple smaller increments that total the amount of the outstanding payment obligation. In the event that a THIRD PARTY (AGENT) orders on behalf of the EXHIBITOR and the named THIRD PARTY does not discharge payment of the invoice prior to the last day of the show, charges will revert back to the EXHIBITOR. All invoices are due and payable upon receipt, by either party.

ELECTRICAL

If FREEMAN provides electrical services, claims will not be considered, or adjustments made unless filed in writing, by EXHIBITOR, prior to the close of the event. FREEMAN is not responsible for any damage or loss caused by the loss of power beyond its control and EXHIBITOR agrees to hold FREEMAN, its officers, directors, employees and agents harmless from such power loss. IN NO EVENT SHALL FREEMAN BE LIABLE FOR ANY INDIRECT OR CONSEQUENTIAL DAMAGES (INCLUDING WITHOUT LIMITATION LOST PROFITS) EVEN IF ADVISED OF THE POSSIBILITY OF SUCH DAMAGES, WHETHER UNDER THEORY OF CONTRACT, TORT (INCLUDING NEGLIGENCE), PRODUCTS LIABILITY OR OTHERWISE. EXHIBITOR shall indemnify and hold harmless FREEMAN, its officers, directors, employees, and agents from and against any and all claims, liabilities, damages, fines, penalties or costs of whatsoever nature (including reasonable attorneys' fees) arising out of or in any way connected with EXHIBITOR'S actions or omissions under this Agreement. Please note that electrical services are NOT automatically included in Audio Visual rentals and must be ordered separately from the designated electrical provider.

LABOR UNDER THE SUPERVISION OF EXHIBITOR RESPONSIBILITIES

EXHIBITOR shall be responsible for the performance of labor provided under this option. It is the responsibility of EXHIBITOR to supervise labor secured through FREEMAN in a reasonable manner as to prevent bodily injury and/or property damage and also to direct them to work in a manner that is in compliance with FREEMAN'S Safe Work Rules and/or Federal, State, County and Local ordinances, rules and/or regulations, including but not limited to Show or Facility Management rules and/or regulations. If any labor secured through Freeman is conducting overhead work, the Exhibitor is responsible for ensuring that everyone in the area of overhead work is wearing a hard hat. If the Exhibitor does not have its own hard hats, Freeman can assist with obtaining them. It is the responsibility of EXHIBITOR to check in with the Service Desk to pick up labor, and to return to the Service Desk to release labor when the work is completed.

INDEMNIFICATION

EXHIBITOR agrees to indemnify, hold harmless, and defend FREEMAN from and against any and all demands, claims, causes of action, fines, penalties, damages, liabilities, judgments, and expenses (including but not limited to reasonable attorneys' fees and investigation costs) for bodily injury, including any injury to FREEMAN employees, and/or property damage arising out of work performed by labor provided by FREEMAN but supervised by EXHIBITOR. Further, the EXHIBITOR'S indemnification of FREEMAN includes any and all violations of Federal, State, County or Local ordinances, "Show Regulations and/or Rules" as published and/or set forth by Facility or Show Management, and/or directing labor provided by FREEMAN to work in a manner that violates any of the above rules, regulations, and/or ordinances.

IMPORTANT

PLEASE REFER TO FREEMAN'S "MATERIAL HANDLING TERMS & CONDITIONS" AS IT RELATES TO MATERIAL HANDLING SERVICES AND TO THE "SERVICE REQUEST & SHIPPING INSTRUCTIONS CONTRACT" AS IT RELATES TO TRANSPORTATION SERVICES. CONTRACT TERMS DEPEND ON THE NATURE OF SERVICES SECURED BY EXHIBITOR THROUGH FREEMAN. TERMS & CONDITIONS MAY VARY FOR EACH TYPE OF SERVICE ORDERED THROUGH FREEMAN.

MATERIAL HANDLING

YOU ARE ENTERING A BINDING CONTRACT WHICH LIMITS YOUR POSSIBLE RECOVERY IN CASE OF LOSS OR DAMAGE. Acceptance of said terms and conditions will be construed when any of the following conditions are met: This Material Handling Agreement (MHA) is signed; Exhibitor's materials are delivered to Freeman's warehouse or to an event site for which Freeman is the Official Show Contractor; or an order for labor and/or rental equipment is placed by Exhibitor with Freeman. Please be aware that disposal of exhibit properties is not included as part of your material handling charges. Please contact freeman for your quoted rates and rules applicable to disposal of your exhibit properties.

1. DEFINITIONS. For purposes of this Contract, Freeman means Freeman Expositions, Inc., and its employees, directors, officers, agents, assigns, affiliated companies, and related entities. In no event shall Freeman be deemed to be the Ultimate Consignee for shipping and custom purposes. The term "Exhibitor" means the Exhibitor, its employees, agents, and representatives.

2. PACKAGING/CRATES AND STORAGE. Freeman shall not be responsible for damage to loose or uncrated materials, pad wrapped or shrink-wrapped materials, glass breakage, concealed damage, carpets in bags or poly, or improperly packed or labeled materials. Freeman shall not be responsible for crates and packaging which are unsuitable for handling, in poor condition, or have prior damage. Crates and packaging should be of a design to adequately protect contents for handling by forklift and similar means. Freeman does not accept any crates or packaging containing hazardous materials. Goods requiring cold storage and those in accessible storage are stored at Exhibitor's own risk. **FREEMAN ASSUMES NO RESPONSIBILITY OR LIABILITY FOR LOSS OR DAMAGE TO GOODS IN COLD STORAGE OR ACCESSIBLE STORAGE.**

3. EMPTY CONTAINERS. Empty container labels will be available at the show site service desk. Affixing labels to the containers is the sole responsibility of Exhibitor or its representative. All previous labels must be removed or obliterated. Freeman assumes no responsibility for: error in the above procedures; removal of containers with old empty labels and without Freeman labels; or improper information on empty labels. **FREEMAN WILL NOT BE LIABLE FOR LOSS OR DAMAGE TO CRATES AND CONTAINERS OR THEIR CONTENTS WHILE SAME ARE IN EMPTY CONTAINER STORAGE.**

4. INBOUND/OUTBOUND SHIPMENTS. There may be a lapse of time between the delivery of shipment(s) to the booth and the arrival of Exhibitor, or a lapse of time between the completion of packing and the actual pickup of materials from the booths for loading onto a carrier and during such times, Exhibitor materials will be left unattended. **FREEMAN IS NOT RESPONSIBLE OR LIABLE FOR ANY LOSS, DAMAGE, THEFT, OR DISAPPEARANCE OF EXHIBITOR'S MATERIALS AFTER THEY HAVE BEEN DELIVERED TO EXHIBITOR'S BOOTH AT SHOW SITE OR BEFORE THEY HAVE BEEN PICKED UP FOR RELOADING AT THE CONCLUSION OF THE EVENT.** Freeman recommends the securing of security services from Facility or Show Management. All MHA's submitted to Freeman by Exhibitor will be checked at the time of pickup from the booth and corrections will be made where discrepancies exist between the quantities of items on any form submitted to Freeman and the actual count of such items in the booth at the time of pickup. Freeman is not responsible for any wait time or other charges including business center charges arising from delivery or pickup of Exhibitor's materials.

5. DELIVERY TO THE CARRIER FOR RELOADING. Freeman assumes no responsibility for loss, damage, theft, or disappearance of Exhibitor's materials after same have been delivered to Exhibitor's appointed carrier, shipper, or agent for transportation after the conclusion of the show. Freeman loads the materials onto the carrier under directions from the carrier or driver of that carrier. Any loading onto the carrier will be understood to be under the exclusive supervision and control of the carrier or driver of that carrier. **FREEMAN ASSUMES NO RESPONSIBILITY FOR LOSS, DAMAGE, THEFT OR DISAPPEARANCE OF EXHIBITOR'S MATERIALS THAT ARISES OUT OF IMPROPERLY LOADED OR LABELED MATERIALS.**

6. DESIGNATED CARRIERS. Freeman shall have the authority to change the Exhibitor designated carrier if that carrier does not pick up the shipment(s) at the appointed time. Where no disposition is made by Exhibitor, materials may be taken to a warehouse to await Exhibitor's shipping instructions and Exhibitor agrees to be responsible for charges relating to such rerouting and handling. **IN NO EVENT SHALL FREEMAN BE RESPONSIBLE FOR ANY LOSS RESULTING FROM SUCH REROUTING DESIGNATION.**

7. FORCE MAJEURE. Freeman's performance hereunder is subject to, and Freeman shall not be responsible for loss, delay, or damage due to, strike, work stoppages, natural elements, vandalism, Act of God, civil disturbances, power failures, explosions, acts of terrorism or war, or for any other cause beyond Freeman's reasonable control, nor for ordinary wear and tear in the handling of Exhibitor's materials.

8. CLAIM(S) FOR LOSS. Exhibitor agrees that any and all claims for loss or damage must be submitted to Freeman immediately at the show site and in any case not later than **thirty (30) business days** after the date when Exhibitor's materials are delivered to the carrier for transportation from show site or from Freeman's warehouse. All claims reported after thirty (30) days will be rejected. In no event shall a suit or action be brought against Freeman **more than one (1) year** after the date of loss or damage occurred.

a. PAYMENT FOR SERVICES MAY NOT BE WITHHELD. In the event of any dispute between the Exhibitor and Freeman relative to any loss, damage, or claim, Exhibitor shall not be entitled to and shall not withhold payment due Freeman for its services as an offset against the amount of any alleged loss or damage. Any claims against Freeman shall be considered a separate transaction and shall be resolved on their own merits.

b. MAXIMUM RECOVERY. If found liable for any loss, Freeman's sole and exclusive maximum liability for loss or damage to Exhibitors materials and Exhibitor's sole and exclusive remedy is limited to \$50 (USD) per pound per article with a maximum liability of \$100.00 (USD) per item, or \$1,500.00 (USD) per shipment whichever is less. All shipment weights are subject to correction and final charges determined by the actual or re-weighted weight of the shipment.

c. LIMITATION OF LIABILITY. IN NO EVENT SHALL FREEMAN BE LIABLE TO THE EXHIBITOR OR TO ANY OTHER PARTY FOR SPECIAL, COLLATERAL, EXEMPLARY, INDIRECT, INCIDENTAL, OR CONSEQUENTIAL DAMAGES, WHETHER SUCH DAMAGES OCCUR EITHER PRIOR OR SUBSEQUENT TO, OR ARE ALLEGED AS A RESULT OF, TORTIOUS CONDUCT, FAILURE OF THE EQUIPMENT OR SERVICES OF FREEMAN OR BREACH OF ANY OF THE PROVISIONS OF THIS CONTRACT, REGARDLESS OF THE FORM OF ACTION, WHETHER IN CONTRACT OR IN TORT, INCLUDING STRICT LIABILITY AND NEGLIGENCE, EVEN IF FREEMAN HAS BEEN ADVISED OR HAS NOTICE OF THE POSSIBILITY OF SUCH DAMAGES. SUCH EXCLUDED DAMAGES INCLUDE BUT ARE NOT LIMITED TO LOST PROFITS, LOSS OF USE, AND INTERRUPTION OF BUSINESS OR OTHER CONSEQUENTIAL OR INDIRECT ECONOMIC LOSSES.

9. DECLARED VALUE. Declarations of Declared Value are between the Exhibitor and the selected Carrier and are in no way an extension of Freeman's maximum liability stated herein. Freeman will use commercially reasonable efforts to transmit the Declared Value instructions to the selected Carrier; however, FREEMAN WILL NOT BE LIABLE FOR ANY CLAIM ARISING FROM THE TRANSMITTAL OF, OR FAILURE TO TRANSMIT, DECLARED VALUE INSTRUCTIONS TO THE CARRIER NOR FOR FAILURE OF THE CARRIER TO UPHOLD THE DECLARED VALUE OR ANY OTHER TERM OF CARRIAGE.

10. JURISDICTION / VENUE. THIS CONTRACT SHALL BE CONSTRUED UNDER THE LAWS OF THE STATE OF TEXAS WITHOUT GIVING EFFECT TO ITS CONFLICT OF LAWS RULES. EXCLUSIVE VENUE FOR ALL DISPUTES ARISING OUT OF OR RELATING TO THIS CONTRACT SHALL RESIDE IN A COURT OF COMPETENT JURISDICITON IN DALLAS COUNTY, TEXAS.

11. INDEMNIFICATION. Exhibitor agrees to indemnify and forever hold harmless Freeman from and against any and all demands, claims, causes of action, fines, penalties, damages (including consequential), liabilities, judgments, and expenses (including but not limited to reasonable attorneys' fees and investigation costs) arising out or contributed to by Exhibitor's negligent supervision of any labor secured through Freeman; Exhibitor's negligence, willful misconduct, or deliberate act, or the negligence, willful misconduct, or deliberate act of Exhibitor's employees, agents, representatives, customers, invitees and/or any Exhibitor Appointed Contractors (EAC) at the show or event to which this Contract relates, including but not limited to Exhibitor's violation of Federal, State, County or Local ordinance and/or Exhibitor's violation of Show Regulations and/or Rules as published and set forth by Facility and/or Show Management.

12. LIEN. Exhibitor grants Freeman a security interest in and a lien on all of Exhibitor's materials that is from time to time in the possession of Freeman and all the proceeds thereof, including without limitation insurance proceeds (the "Collateral"), to secure the prompt and full payment and performance of all Exhibitor's indebtedness for monies paid, by Freeman on its behalf, services performed, materials and/or labor from time to time provided by Freeman to or for the benefit of Exhibitor ("Obligations"). Freeman shall have all the rights and remedies of a secured party under the Uniform Commercial Code, as may be amended from time to time ("UCC"), and any notice that Freeman is required to give under the UCC of a time and place of a public sale or the time after which any private sale or other intended disposition of any Collateral is to be made shall be deemed to constitute reasonable notice if such notice is mailed by registered or certified mail at least five (5) days prior to such action. Freeman may hold and not deliver any of the Collateral to Exhibitor for so long as there are any Obligations that remain unpaid or unsatisfied.

13. WAIVER & RELEASE. Exhibitor, as a material part of the consideration to Freeman for material handling services, waives and releases all claims against Freeman with respect to all matters for which Freeman has disclaimed liability pursuant to the provisions of this Contract.

14. DRIVER LIABILITY WAIVER. IN CONSIDERATION OF FREEMAN PERMITTING ENTRANCE TO THE PREMISES, YOU, YOUR EMPLOYER, THE OWNER OF THE TRUCK AND/OR EQUIPMENT THAT YOU ARE OPERATING (TRUCKOWNER) AND YOU AS AGENT OF YOUR EMPLOYER AND THE TRUCKOWNER, HEREBY ASSUME ALL RISK OF INJURY OR HARM TO YOURSELF AND OTHERS AND DAMAGE TO YOUR PROPERTY AND PROPERTY BELONGING TO YOUR EMPLOYER OR OTHERS ARISING FROM YOUR ACTIVITIES WHILE BEING PERMITTED TO ENTER THE PREMISES. YOU AGREE TO ENTER AT YOUR OWN RISK. YOU HAVE FULL KNOWLEDGE OF ANY RISK INVOLVED IN THIS ACTIVITY. YOU RECOGNIZE THE HAZARDS AND ARE AWARE OF ALL THE RULES FOR SAFE OPERATION. YOUR EMPLOYER, THE TRUCKOWNER, AND YOU AGREE TO INDEMNIFY AND HOLD HARMLESS FREEMAN, ITS EMPLOYEES, OFFICERS, DIRECTORS, AGENTS, ASSIGNS, AFFILIATED COMPANIES AND RELATED ENTITIES, AGAINST ANY AND ALL LIABILITY, ACTIONS, CLAIMS, AND DAMAGES OF ANY KIND WHATSOEVER ARISING FROM YOUR ACTIVITIES WHILE BEING PERMITTED TO ENTER THE PREMISE.

AIR CARGO

AIR CARGO SERVICE REQUEST AND SHIPPING INSTRUCTIONS CONTRACT

In tendering this shipment, the Shipper and Consignee agree to these TERMS which no agent or employee of the parties may alter. This Air Service Request and Shipping Instruction Contract is NON-NEGOTIABLE and has been prepared by Shipper, or if by Freeman or another on Shipper's behalf, it shall be deemed, conclusively, to have been prepared by the Shipper. The Shipper agrees that this shipment is subject to the TERMS stated herein All TERMS, including but not limited to, all the limitations of liability, shall apply to our agents and their contracting carriers.

1. DEFINITIONS: In this Contract, "Freeman" means Freeman Decorating Services, Inc., and its respective employees, officers, directors, agents, assigns, affiliated companies, and related entities including any contractors appointed by Freeman. The term "Shipper" means the person or business for whom the property is being transported, and includes their respective employees, officers, directors, agents, assigns, affiliated companies, and contractors appointed by the Shipper, excluding only Freeman. "Property" is all objects of any type received from the Shipper for transport by Freeman as described herein. "Consignee" is the party to whom Shipper has designated the goods are to be delivered.

2. FINAL CONTRACT BETWEEN THE PARTIES: In exchange for Shipper's payments and Freeman's services, which the parties have specified in this two-page Contract (including the Air Cargo Service Request and Shipping Instructions), Freeman and Shipper each agree that this Contract shall govern their respective rights and obligations regarding transportation of Shipper's property. This Contract shall take effect when the property first comes into the physical possession of Freeman, and the responsibility of Freeman under same shall end when the property has been placed in the possession of the Consignee or the Consignee's designated agent. If any part or provision of this Contract is found by a court of competent jurisdiction to be void or unenforceable, the remainder of the Contract shall continue in full force and effect.

3. Freeman's RESPONSIBILITIES UNDER THE CONTRACT ARE LIMITED: Freeman is responsible for the satisfactory performance of only those services which it directly provides under this Contract. Freeman shall not be responsible for the performance of individuals of firms who are not under the direct supervision or control of Freeman. Freeman shall not be responsible for events or causes of loss, delay, or damage beyond its reasonable control, including (by way of illustration only, and not as a limitation on the breadth of this clause), strike, lockout, work slowdown or stoppage, power failure, breakdown of plant or machinery, facility failure, vandalism, theft, Act of God, effect of natural elements, riot, civil commotion or disturbance, terrorism, act of war or belligerent parties, and any other cause or causes beyond the reasonable control of Freeman. EXCEPT FOR ELIGIBLE GUARANTEED SERVICE SHIPMENTS, Freeman DOES NOT GUARANTEE DELIVERY BY ANY SPECIFIC TIME OR DATE.

4. PACKAGING AND CRATES: Shipper's property must be well packaged for safe and secure handling, storage and shipment using ordinary care. Each piece must be legibly and durably marked with the name and address, including correct ZIP code of the Shipper and Consignee. When a container is used repeatedly by Shipper, Shipper must remove all old labels, tags, markings, etc., and Shipper must ensure that the container retains adequate strength for transportation. Freeman makes neither representation nor any warranty regarding the acceptability or suitability of any packaging system or procedure that Shipper might use for its property. Freeman shall not be responsible for damage to loose or uncrated materials, padded or shrink-wrapped materials, glass breakage, concealed damage, carpets in bags or poly, or improperly packed or labeled materials. Crates and packaging should be of a design to adequately protect contents for handling by forklift and similar means. General guidance as to acceptable packaging systems and procedures may be found in publications such as the National Motor Freight Classification, published by the National Motor Freight Traffic Association. For shipments of Perishable Commodities, U.S. and Canadian shipments must be packed to travel without spoilage for 72 hours from time of pickup; all international shipments must be packed to travel without spoilage for 24 hours beyond an agreed deadline. Freeman reserves the right to periodically embargo regions of the world due to conditions that may cause damage to perishable commodities. If the integrity of a shipment is in question, Freeman reserves the right to improve packaging at shipper's expense.

5. REFUSED SHIPMENTS: If the Consignee refuses a shipment tendered for delivery or if Freeman is unable to deliver a shipment because of fault or mistake of the Consignor or Consignee, Freeman's liability shall then become that of a warehouseman.

- Freeman shall promptly attempt to provide notice, by telephonic, electronic or written communication as provided on the face of these shipping instructions, if so indicated, to Shipper or the party, if any, designated to receive notice in these instructions.
- Storage charges, based on Freeman's applicable rates, shall start no sooner than the next business day following the attempted notification. Storage may be, at Freeman's option, in any location that provides reasonable protection against loss or damage. Freeman may place the shipment in public storage at the owner's expense and without liability to Freeman.
- If Freeman does not receive disposition instructions within 48 hours of the time of Freeman's attempted first notification, Freeman will attempt to issue a second and final confirmed notification. Such notice shall advise that if Freeman does not receive disposition instructions within 10 days of that notification, Freeman may offer the shipment for sale at a public auction and Freeman has the right to offer the shipment for sale. The amount of sale will be applied to Freeman's invoice for transportation, storage and other lawful charges. Shipper will be responsible for the balance of charges not covered by the sale of the goods. If there is a balance remaining after all charges and expenses are paid, such balance will be paid to the owner of the property sold hereunder, upon claim and proof of ownership.
- Where Freeman has attempted to follow the procedure set forth above and the procedure is not possible, nothing shall be construed to abridge the right of Freeman, at its option, to sell the property under such circumstances and in such manner as may be authorized by law.
- When perishable goods cannot be delivered and disposition is not given within a reasonable time, Freeman may dispose of property to the best advantage. Where Freeman is directed by Consignee or Consignor to unload or deliver property at a particular location where Consignor, Consignee, or the Agent of either is not regularly located, Freeman's liability for the shipment shall terminate after unloading or delivery.

6. LIMITATION ON SHIPPER'S RECOVERABLE DAMAGES: FREEMAN'S LIABILITY FOR DAMAGES ON DOMESTIC SHIPMENTS, INCLUDING BUT NOT LIMITED TO THOSE DAMAGES ARISING FROM OR RELATED TO MISDELIVERY, INCOMPLETE OR OTHERWISE INADEQUATE DELIVERY (INCLUDING BUT NOT LIMITED TO FAILURE TO FOLLOW SHIPPER OR CONSIGNEE INSTRUCTIONS OR FAILURE TO COLLECT OR PROPERLY DELIVER A PAYMENT INSTRUMENT), NONDELIVERY, MISSED PICKUP, AND LOSS OF OR DAMAGE TO CARGO, SHALL BE LIMITED TO THE HIGHER OF \$50.00 (USD) PER SHIPMENT OR \$.50 (USD) PER POUND (\$1.10 (USD) PER KILOGRAM) OF CARGO ADVERSELY AFFECTED THEREBY, PLUS TRANSPORTATION CHARGES APPLICABLE TO THAT PART OF THE SHIPMENT ADVERSELY AFFECTED THEREBY, UNLESS AT TIME OF SHIPMENT THE SHIPPER MAKES A DECLARATION OF VALUE FOR CARRIAGE IN THE SPACE DESIGNATED ON THE SERVICE REQUEST AND SHIPPING INSTRUCTIONS FORM AND PAYS THE APPROPRIATE VALUATION CHARGE. IN NO EVENT SHALL FREEMAN'S LIABILITY EXCEED THE DECLARED VALUE OF THE SHIPMENT OR THE AMOUNT OF LOSS OR DAMAGE ACTUALLY SUSTAINED, WHICHEVER IS LOWER. IF CARRIAGE OF THE SHIPMENT IS SOLELY OR PARTLY BY AIR AND INVOLVES AN ULTIMATE DESTINATION OR A STOP IN A COUNTRY OTHER THAN THE COUNTRY OF DEPARTURE, Freeman's LIABILITY FOR CARGO LOST, DAMAGED OR DELAYED SHALL BE LIMITED TO \$9.07 PER POUND (\$20.00 PER KILOGRAM) FOR CARRIAGE SUBJECT TO THE UNAMENDED WARSAW CONVENTION OR THE WARSAW CONVENTION AS AMENDED BY THE HAGUE PROTOCOL OF 1955, 17 SPECIAL DRAWING RIGHTS PER KILOGRAM FOR CARRIAGE SUBJECT TO THE WARSAW CONVENTION AS AMENDED BY THE MONTREAL PROTOCOL NO. 4 OF 1975, OR \$9.07 PER POUND (\$20.00 PER KILOGRAM) FOR CARRIAGE WHERE THE WARSAW CONVENTION, INCLUDING ITS AMENDMENTS, DOES NOT APPLY FOR ANY REASON, UNLESS A HIGHER DECLARED VALUE IS REQUESTED, AND THE FEES SET FORTH IN THE SERVICE GUIDE FOR SUCH HIGHER DECLARED VALUE ARE PAID. FOR INTERNATIONAL SHIPMENTS, THIS SHIPPING REQUEST AND SHIPPING INSTRUCTION CONTRACT SHALL BE DEEMED AN AIR WAYBILL WITHIN THE MEANING OF THE WARSAW CONVENTION.

Notwithstanding the above limitations, domestic shipments containing the following items of extraordinary value are limited to a maximum declared value of \$500.00 (USD):

- artworks and objects of art, including without limitation original paintings, drawings, etchings, water colors, tapestries and sculpture;
 - clocks, watches, jewelry (including costume jewelry), furs and fur-trimmed clothing;
 - personal effects;
 - and other inherently fragile or unique items, including prototypes, etc.
- Any declared value in excess of the maximums allowed herein is null and void, and the acceptance by Freeman for carriage of any shipment with a declared value in excess of the allowed maximums does not constitute a waiver of these maximums. Shipper understands that even if Shipper is not able to participate or fully participate in a show due to loss of, theft of, or damage to its property, Freeman shall never be liable or responsible for damages identified by the terms (by way of example only and not in limitation of the breadth of this clause) such as the following: consequential damages, loss of use damages, loss of profits damages, business interruption damages, delay damages, special damages, collateral damages, exemplary damages, damages awarded for gross negligence, direct damages, indirect damages, damages for failure of performance, breach of contract damages, fraud damages, or any other sort of damage for tort or breach of contract. This limitation shall bind the parties:
- whenever or wherever the claimed loss or damage may occur;
 - even though the alleged loss or damage is claimed to result from negligence, strict liability, products liability, breach of contract, breach of statute or regulation, or any other legal theory or cause, and;
 - even though Freeman may have been advised or be on notice of the possibility or even the probability of such damages. Freeman makes no warranties, express or implied, and expressly disclaims any and all warranties. Except for Freeman's failure to deliver in accordance with the Guaranteed Service section of the Service Guide, Freeman will not be liable for misdelivery, incomplete or otherwise inadequate delivery (including but not limited to failure to follow Shipper or Consignee instructions or failure to collect or properly deliver a payment instrument), non-delivery, missed pickup, delay on International shipments, loss or damage unless caused by Freeman's sole negligence.

7. SHIPPER'S RESPONSIBILITIES AND INDEMNIFICATION:

- Shipper must pay in full for the services rendered under this Contract at the time the services are requested. The existence of a dispute between Shipper and Freeman relative to any claim or other matter shall have no bearing on this duty of payment. No claim submitted by or on behalf of Shipper will be processed unless Shipper's account is current.
- Shipper understands and acknowledges that Freeman does not accept or transport illegal, dangerous or hazardous materials of any kind or nature. Shipper warrants and ensures that its property is inert, and contains no Hazardous Substances, Hazardous Materials, Chemicals, Gases, Explosives, Radioactive Materials, Biologically hazardous agents, or any other substance, matter or object in any form that could pose a threat to the health or safety of persons, property or the public welfare in general. Such goods may be warehoused at owner's risk and expense or destroyed without compensation.
- Shipper shall defend and indemnify Freeman, its employees, directors, officers, and agents from and against any and all demands, claims, causes of action, fines, penalties, damages (including consequential), liabilities, judgments, and expenses (including but not limited to reasonable attorneys' fees and investigation costs) on account of personal injury, death, or damage to or loss of property or profits arising out of or contributed to by any of the following: Shipper's negligence, willful misconduct, or deliberate act; Shipper's violation of Federal, State, County or Local ordinances; Shipper's violation of Show Regulations and/or Rules as published and set forth by Facility and/or Show Management; and/or Shipper's failure to comply with (b) of this Agreement regarding the inclusion of any dangerous substances in the property placed with Freeman.

8. CLAIMS: Shipper, Consignee, or any other party claiming an interest in the shipment must notify Freeman immediately upon delivery, or in the case of loss or damage which could not have been noted at the time of delivery, within five (5) business days of delivery, of any loss or damage to the shipment. Notice of concealed damage must be confirmed in writing or via email at exhibit.transportation@freeman.com within 5 business days of receipt of the property. If Carrier schedules an inspection, claimant must hold the shipping container, all packaging material and contents in the same condition as they were in when damage was discovered. Receipt of the shipment by the Consignee or the Consignee's agent without written notice on the delivery receipt and/or delivery manifest will be prima facie evidence that the shipment was delivered in good condition. The amount of the claim may not be deducted from the transportation charges. Notice of loss or damage MUST be reported to Freeman at 800-995-3579. The shipment, its container(s), and packing material must be made available to Freeman for inspection at the delivery location. All shipments are subject to opening for inspection by Freeman; however, Freeman is not obligated to perform such inspection. All claims for loss or damage MUST be made in writing to Freeman within one hundred and twenty (120) calendar days after the date of acceptance of the shipment by Freeman. Please refer to the Service Guide for claim procedures. All claims for service failure must be made within thirty (30) calendar days from the date of shipment and Freeman's sole liability for such claims arising from Guaranteed Service shipments shall be limited to the transportation charges as provided in the Guaranteed Service section of the Service Guide. All claims for overcharge must be made in writing to Freeman within sixty (60) calendar days after the invoice date. No claim for loss or damage may be maintained against Freeman unless (a) claimant complies with all requirements of this section and (b) for domestic shipments, if the claimant commences the action within one (1) year of the shipment by Freeman unless otherwise required by International, Federal or State Law. If the claim is for loss or damage involving International shipments, claimant must commence the action within two (2) years from the date of acceptance of the shipment by Freeman unless otherwise required by International, Federal or State Law. For purposes of this section, no action shall be deemed to have commenced until receipt by Freeman of service of process of the action on Freeman. Claims for loss or damage must be delivered to the following address: Sedgwick, PO Box 14151, Lexington, KY 40512-4151.

For shipping containers designed for repeated use (tradeshow cases, totes, crates), Freeman shall have no liability for superficial damage to said containers in the form of scuffs, scratches, dents or dings. Freeman will only accept liability for "catastrophic" damage to these shipping containers (crushing, puncture, or complete destruction). Freeman's maximum liability in cases of "catastrophic" damage or total loss will be limited to a depreciated value of the container based on the time elapsed from the original purchase and the purchase price established on the provided original invoice. This maximum liability will be subject to all other applicable limits of liability such as repair costs.

9. CHOICE OF FORUM: THIS CONTRACT SHALL BE CONSTRUED UNDER THE LAWS OF THE UNITED STATES (INCLUDING ADOPTED INTERNATIONAL CONVENTIONS) AND THE STATE OF TEXAS WITHOUT GIVING EFFECT TO THE STATE'S CONFLICT OF LAWS RULES. FREEMAN AND SHIPPER AGREE THAT ANY CLAIM OR DISPUTE OF ANY SORT ARISING OUT OF OR IN ANY WAY RELATED TO THIS CONTRACT, ITS PERFORMANCE OR NONPERFORMANCE, OR DAMAGES ALLEGEDLY RESULTING FROM SAME WILL BE ARBITRATED IN THE CITY OF DALLAS, TEXAS, AND THE RULES OF THE AMERICAN ARBITRATION ASSOCIATION WILL APPLY. IF BINDING ARBITRATION IS UNAVAILABLE TO RESOLVE ANY CONTROVERSY AND IT IS NECESSARY TO LITIGATE THE DISPUTE, THE DISPUTE SHALL BE LITIGATED IN A COURT OF COMPETENT JURISDICTION IN DALLAS COUNTY, TEXAS.

10. MISCELLANEOUS: Shipper warrants the accuracy of the weight and dimension data furnished in this Contract. Shipper understands that once its property is shipped by Freeman pursuant to the instructions contained in this Contract, Shipper has no right to control the shipment; stop the shipment in transit, or divert or reschedule same, and that Shipper will have no control over the property until it is delivered pursuant to the instructions in this Contract. Shipper agrees that this Contract may be provided to any third party, including common or contract carriers of cargo by air, water, rail, or road, for the purpose of confirming the right of Freeman to control the handling of the property and all matters related to payment for the shipment.

MOTOR CARGO

MOTOR CARGO SERVICE REQUEST AND SHIPPING INSTRUCTIONS CONTRACT

This Contract establishes your legal obligations with regard to the property described herein being shipped with Freeman Transportation. It specifically limits your rights and possible recovery if your property is lost or damaged. You must accept all terms and conditions of this Contract. You confirm that you have read and agree with all the terms and conditions of this Contract by receipt without contest. This Contract may not be waived or varied, except in writing, and then only by an authorized representative of Freeman.

1. DEFINITIONS. In this Contract, "Freeman" means Freeman Expositions, Inc., and its respective employees, officers, directors, agents, assigns, affiliated companies, and related entities including any contractors appointed by Freeman. The term "Shipper" means the person or business for whom the property is being transported, and includes their respective employees, officers, directors, agents, assigns, affiliated companies, and contractors appointed by the Shipper, excluding only Freeman. "Property" is all objects of any type received from the Shipper for transport by Freeman as described herein. "Consignee" is the party to whom Shipper has designated the goods are to be delivered.

2. FINAL CONTRACT BETWEEN THE PARTIES. In exchange for Shipper's payments and Freeman's services, which the parties have specified in this Contract, Freeman and Shipper each agree that this Contract shall govern their respective rights and obligations regarding transportation of Shipper's property. This Contract shall take effect when the property first comes into the physical possession of Freeman for inbound shipments and after loading on the applicable carrier for outbound shipments, and the responsibility of Freeman under same shall end when the property has been placed in the possession of the Consignee or the Consignee's designated agent. If any part or provision of this Contract is found by a court of competent jurisdiction to be void or unenforceable, the remainder of the Contract shall continue in full force and effect.

3. FREEMAN'S RESPONSIBILITIES UNDER THE CONTRACT ARE LIMITED. Freeman shall not be responsible for the performance of individuals or firms who are not under the direct supervision or control of Freeman. Freeman shall not be responsible for events or causes of loss, delay, or damage beyond its reasonable control, including (by way of illustration only, and not as a limitation on the breadth of this clause), strike, lockout, work slowdown or stoppage, power failure, breakdown of plant or machinery, facility failure, vandalism, theft, Act of God, effect of natural elements, riot, civil commotion or disturbance, terrorism, act of war or belligerent parties, and any other cause or causes beyond the reasonable control of Freeman. Freeman shall not be liable for delay caused by highway obstructions, or faulty or impassable highways, or lack of capacity of any highway, bridge, or ferry, or caused by breakdown or mechanical defects of vehicles or equipment, or from any cause other than the negligence of Freeman. Freeman shall not be bound to transport by any particular schedule, means, vehicle or otherwise, other than with reasonable dispatch.

4. PACKAGING AND CRATES. Shipper's property must be well packaged for safe and secure handling, storage and shipment using ordinary care. Freeman makes neither representation nor any warranty regarding the acceptability or suitability of any packaging system or procedure that Shipper might use for its property. Freeman shall not be responsible for damage to loose or uncrated materials, padwrapped or shrink-wrapped materials, glass breakage, concealed damage, carpets in bags or poly, or improperly packed or labeled materials. Crates and packaging should be of a design to adequately protect contents for handling by forklift and similar means. General guidance as to acceptable packaging systems and procedures may be found in publications such as the National Motor Freight Classification, published by the National Motor Freight Traffic Association. If the integrity of a shipment is in question, Freeman reserves the right to improve packaging at shipper's expense.

5. PERISHABLE GOODS. Goods of a perishable nature are carried in dry trailers without environmental or atmospheric control or other special services unless Shipper states on the face of the "Service Request and Shipping Instructions" that the goods are to be carried in a refrigerated, heated, specially ventilated or otherwise specially equipped trailer. This carriage may be subject to additional charges. Shipper is responsible for bringing the goods to the proper temperature before loading the goods into the trailer, for the proper stowage of the goods within the trailer, and for setting the temperature (including maintenance and repair), during all times after the trailer is spotted by Freeman and before the trailer is received by Freeman. Freeman is not responsible for product deterioration caused by inherent vice, defects in the merchandise or transit times in excess of product shelf life. Refrigerated, heated, specially ventilated or otherwise specially equipped trailers are not equipped to change the temperature of goods (they are equipped only to maintain temperature). Shipper will give written notice of requested temperature setting of the thermostatic controls before receipt of the goods by Freeman. When a loaded trailer is received, Freeman will verify that the thermostatic controls are set to maintain trailer temperature as requested. Freeman is unable to determine whether the goods were at the proper temperature when they were loaded into the trailer or when the trailer is delivered to Freeman. Air temperature at the unit sensor will be maintained within a proper range of plus or minus 5 degrees Fahrenheit of the temperature requested by Shipper on the face of the "Service Request and Shipping Instructions" if the goods were at that temperature when loaded into the container and if the temperature controls were properly set when the container was loaded.

6. REFUSED SHIPMENTS. If the Consignee refuses a shipment tendered for delivery or if Freeman is unable to deliver a shipment because of fault or mistake of Freeman, Freeman's liability shall then become that of a warehouseman.

(a) Freeman shall promptly attempt to provide notice, by telephonic, electronic or written communication as provided on the face of these shipping instructions, if so indicated, to Shipper or the party, if any, designated in these instructions to receive notice.

(b) Storage charges, if applicable, shall start no sooner than the next business day following the attempted notification. Storage may be, at Freeman's option, in any location that provides reasonable protection against loss or damage. Freeman may place the shipment in public storage at the owner's expense and without liability to Freeman.

(c) If Freeman does not receive disposition instructions within 48 hours of the time of Freeman's attempted first notification, Freeman will attempt to issue a second and final confirmed notification. Such notice shall advise that if Freeman does not receive disposition instructions within 10 days of that notification, Freeman may offer the shipment for sale at a public auction and Freeman has the right to offer the shipment for sale. The amount of sale will be applied to Freeman's invoice for transportation, storage and other lawful charges. Shipper will be responsible for the balance of charges not covered by the sale of the goods. If there is a balance remaining after all charges and expenses are paid, such balance will be paid to the owner of the property sold hereunder, upon claim and proof of ownership.

(d) Where Freeman has attempted to follow the procedure set forth above and the procedure is not possible, nothing shall be construed to abridge the right of Freeman, at its option, to sell the property under such circumstances and in such manner as may be authorized by law.

(e) When perishable goods cannot be delivered and disposition is not given within a reasonable time, Freeman may dispose of property to the best advantage. When Freeman is directed by Consignee or Consignor to unload or deliver property at a particular location where Consignor, Consignee, or the Agent of either is not regularly located, Freeman's liability for the shipment shall terminate after unloading or delivery.

7. INSURANCE. Freeman IS NOT AN INSURER. Shipper is responsible for obtaining insurance for its property. Freeman provides no insurance for Shipper or its property.

8. LIMITATION ON SHIPPER'S RECOVERABLE DAMAGES. Shipper understands that even if shipper's property is lost, stolen, or damaged, Freeman does not pay replacement or restoration cost of any property. **FREEMAN'S MAXIMUM LIABILITY SHALL BE THE AMOUNT OF PROVEN ACTUAL VALUE NOT EXCEEDING THE LOWER OF FAIR MARKET VALUE.**

(THE "FAIR MARKET VALUE" EQUALS THE AS IS WHERE IS PRICE FOR THE PROPERTY AT THE LOCATION OF THE SHOW TO WHICH PRICE A WILLING BUYER AND A WILLING SELLER WOULD AGREE IN AN ORDINARY COURSE OF BUSINESS, ARM'S LENGTH SALE.) OR \$5.00 (USD) PER POUND OF CARGO LOST OR DAMAGED UNLESS AT THE TIME OF SHIPMENT SHIPPER MAKES A DECLARATION OF VALUE FOR CARRIAGE IN THE SPACE DESIGNATED ON THE SHIPPING INSTRUCTIONS AND PAYS THE APPROPRIATE VALUATION CHARGE. Even if Shipper has made a declaration of value, liability shall never exceed the depreciated original invoice value or the fair market value of the property, whichever is less. The value per pound for applying declared valuation charges shall be determined by dividing Shipper's declared value for carriage by the actual weight of the shipment. In all cases not prohibited by law, where a lower value than the actual value of the said property has been stated in writing by Shipper or has been agreed upon in writing as the released value of the property upon which the rate is based, such lower value plus freight charges, if paid, shall be the maximum recoverable amount for loss or damage. **Notwithstanding the above limitations, all shipments containing the following items of extraordinary value are limited to a maximum declared value of \$500.00 (USD):** (a) Artworks and objects of art, including without limitation, original paintings, drawings, etchings, watercolors, tapestries and sculptures or prototypes; (b) Clocks, jewelry, including costume jewelry, furs, and fur-trimmed clothing; (c) Personal effects, including without limitation, papers and documents; or (d) Coin money, currency, gift certificates, debit cards, credit cards, and any other items of extraordinary value. (e) For either unmarked, unlabeled, or improperly packaged television monitors, the maximum liability is the lesser of \$3.00 (USD) per pound or the actual invoice price.

Any declared value in excess of the maximums allowed herein is null and void, and the acceptance by Freeman of carriage of any shipment with a declared value in excess of the allowed maximums does not constitute a waiver of these maximums. In any event, (excluding small package program shipments) **Freeman's MAXIMUM LIABILITY WILL NEVER BE MORE THAN \$100,000 PER SHIPMENT.** Shipper understands that even if Shipper is not able to participate or fully participate in a Show due to loss of, theft of, or damage to their property, Freeman shall not be liable or responsible for damages identified by the terms (by way of example only and not in limitation of the breadth of this clause) such as the following: consequential damages, loss of use damages, loss of profits damages, business interruption damages, delay damages, special damages, collateral damages, exemplary damages, damages awarded for gross negligence, direct damages, indirect damages, or damages for failure of performance, breach of contract damages, fraud damages, or any other sort of damage for tort or breach of contract. This limitation shall bind the parties: **(a) WHENEVER OR WHEREVER THE CLAIMED LOSS OR DAMAGE MAY OCCUR; (b) EVEN THOUGH THE ALLEGED LOSS OR DAMAGE IS CLAIMED TO RESULT FROM NEGLIGENCE, STRICT LIABILITY, PRODUCTS LIABILITY, BREACH OF CONTRACT, BREACH OF STATUTE OR REGULATION, OR ANY OTHER LEGAL THEORY OR CAUSE, AND; (c) EVEN THOUGH FREEMAN MAY HAVE BEEN ADVISED OR BE ON NOTICE OF THE POSSIBILITY OR EVEN THE PROBABILITY OF SUCH DAMAGES.**

9. SHIPPER'S RESPONSIBILITIES AND INDEMNIFICATION:

(a) Shipper must pay in full for the services rendered under this Agreement at the time the services are requested. The existence of a dispute between Shipper and Freeman relative to any claim or other matter shall have no bearing on this duty of payment. No claim may be submitted by or on behalf of Shipper to Freeman unless Shipper's account is current.

(b) Shipper understands and acknowledges that Freeman does not accept or transport illegal or hazardous materials of any kind or nature. Shipper warrants and will ensure that its property is inert, and contains no Hazardous Substances, Hazardous Materials, Chemicals, Gasses, Explosives, Radioactive Materials, Biologically hazardous agents, or any other substance, matter or object in any form that could pose a threat to the health or safety of Freeman persons, property, or the public welfare in general. Such goods may be warehoused at owner's risk and expense or destroyed without compensation.

(c) Shipper shall defend and indemnify Freeman, its employees, directors, officers, and agents from and against any and all demands, claims, causes of action, fines, penalties, damages (including consequential), liabilities, judgments, and expenses (including but not limited to reasonable attorneys' fees and investigation costs) on account of personal injury, death, or damage to or loss of property or profits arising out of or contributed to by any of the following: Shipper's negligence, willful misconduct, or deliberate act; Shipper's violation of Federal, State, County or Local ordinances; Shipper's violation of Show Regulations and/or Rules as published and set forth by Facility and/or Show Management; and/or Shipper's failure to comply with subsection (b) of this section regarding the inclusion of any dangerous substances in the property placed with Freeman.

10. CLAIMS. Claims must be filed in writing within nine (9) months after the date of delivery of the property (or in the case of export traffic, within nine (9) months after delivery at the port of export), except that claims for failure to make delivery must be filed within nine (9) months after a reasonable time for delivery has elapsed. Suits for loss, damage, or delay shall be instituted against Freeman no later than two (2) years and one (1) day from the day when written notice is given by Freeman to the claimant that Freeman has disallowed the claim or any part or parts of the claim specified in the notice. Shipper shall deliver notice of claim for loss or damage by hand, U.S. mail, courier, facsimile, or electronic means to Sedgwick, PO Box 14151, Lexington, KY 40512-4151 as soon as loss or damage is discovered. The notice of claim shall invite a prompt joint survey of the damage, at a time and place to be agreed between the parties, and such survey shall go forward promptly. However, if in any case the property is received by the Consignee or the Consignee's agent without notice of loss or damage to property being served on Freeman within 5 business days of the receipt of the property, it is agreed between Freeman and Shipper that in that instance the presumption shall arise that the property was delivered in proper quantity and in good condition. Notice of concealed damage must be confirmed in writing or via email at exhibit.transportation@freeman.com within 5 business days of receipt of the property. If Carrier schedules an inspection, claimant must hold the shipping container, all packaging material and contents in the same condition as they were in when damage was discovered. Claims filed more than nine (9) months following the date on which the property was delivered or should have been delivered are agreed to be forever time barred.

For shipping containers designed for repeated use (tradeshow cases, totes, crates), Freeman shall have no liability for superficial damage to said containers in the form of scuffs, scratches, dents or dings. Freeman will only accept liability for "catastrophic" damage to these shipping containers (crushing, puncture, or complete destruction). Freeman's maximum liability in cases of "catastrophic" damage or total loss will be limited to a depreciated value of the container based on the time elapsed from the original purchase and the purchase price established on the provided original invoice. This maximum liability will be subject to all other applicable limits of liability such as repair costs.

11. CHOICE OF FORUM / ARBITRATION. THIS CONTRACT SHALL BE CONSTRUED UNDER THE LAWS OF THE STATE OF TEXAS WITHOUT GIVING EFFECT TO ITS CONFLICT OF LAWS RULES. EXCLUSIVE VENUE FOR ALL DISPUTES ARISING OUT OF CONTRACT, TORT, COMMON LAW OR RELATING TO THE ENFORCEMENT OR INTERPRETATION OF THIS CONTRACT SHALL RESIDE IN A COURT OF COMPETENT JURISDICTION IN DALLAS COUNTY, TEXAS. Notwithstanding anything herein to the contrary, any controversy or claim arising out of or relating to this Agreement, or the breach thereof, shall be exclusively settled by arbitration administered by the American Arbitration Association in accordance with its Commercial Arbitration Rules and judgment on the award rendered by the arbitrator(s) may be entered by any court having jurisdiction thereof.

12. MISCELLANEOUS. (a) Shipper warrants the accuracy of the weight and dimension data furnished in this Contract; (b) Shipper understands that once its property is shipped by Freeman pursuant to the instructions contained in this Contract, Shipper has no right to control the shipment, stop the shipment in transit, or divert or reschedule same. (c) Shipper agrees that this Contract may be provided to any third party, including common or contract carriers of cargo by air, water, rail, or road, for the purpose of confirming the right of Freeman to control the handling of the property and all matters related to payment for the shipment. Shipper agrees that all shipments are subject to correction and final charges determined by the actual or re-weighed weight of the shipment.

13. SMALL PACKAGE PROGRAM. If items shipped via Freeman's Small Packages program are lost, damaged or destroyed while in Freeman's possession, **FREEMAN'S MAXIMUM LIABILITY SHALL BE \$100 per package UNLESS AT THE TIME OF SHIPMENT SHIPPER MAKES A DECLARATION OF VALUE IN THE SPACE DESIGNATED ON THE SHIPPING INSTRUCTIONS AND PAYS THE APPROPRIATE VALUATION CHARGE.** If small packages are received by the Shipper and notice of loss or damage is not received by Freeman within 15 days of the delivery of the property, the parties agree that the presumption shall arise that the property was delivered in proper quantity and in good condition.

before event

during the event

after event

**from your location
or previous event**

**to your location
or next event**

event venue

venue
dock

your exhibit

venue
dock

**advance
warehouse**

storage for empty containers



advance warehouse

where exhibit materials are stored before an event



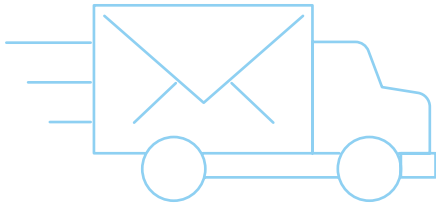
shipping

transport to the venue's shipping dock then from the shipping dock to the next event or customer location



material handling

move items from the dock, to the exhibit, back to the dock after the show



TRANSPORTATION SERVICE, FULLY LOADED.

Our convenient, affordable package puts productivity in overdrive.

Turn to Freeman for one-stop transportation services. Our all-inclusive round trip standard ground shipping and material handling package means transporting materials to any exhibit location has never been easier or more affordable. Plus, Freeman works directly with you and show site decision makers to streamline the process, so it's faster than ever to get on the road to success.

The Freeman Exhibit Transportation promise:

- ALL-INCLUSIVE PRICING WITH NO ADDITIONAL FEES FOR PICKUPS AND DELIVERIES, INCLUDING WEEKEND AND NIGHT SERVICE
- PICK-UP AND TRANSPORTATION FROM POINT OF ORIGIN TO YOUR CHOICE OF EITHER ADVANCE WAREHOUSE OR SHOW SITE
- ON-SITE TRANSPORTATION EXPERTS ARE AVAILABLE BEFORE, DURING AND AFTER THE SHOW
- RELIABLE CUSTOMER SERVICE SEVEN DAYS A WEEK, OFFERING COMPLETE SHIPMENT VISIBILITY AND EXPERT SUPERVISION
- PRE-PRINTED SHIPPING LABELS AND OUTBOUND PAPERWORK

Benefits:

- TURNKEY PRICING ENSURES PRECISE BUDGETING
- NO ADDITIONAL HANDLING, PICK-UP OR DELIVERY FEES
- NO ADDITIONAL FUEL SURCHARGES OR OVERTIME SURCHARGES
- NO CARRIER WAITING TIME FEES
- EXPERIENCED ON-SITE TRANSPORTATION REPS FROM MOVE-IN THROUGH MOVE-OUT
- LTL (LESS THAN TRUCK LOAD) SHIPPING

*Services apply to destinations anywhere in the Continental U.S.

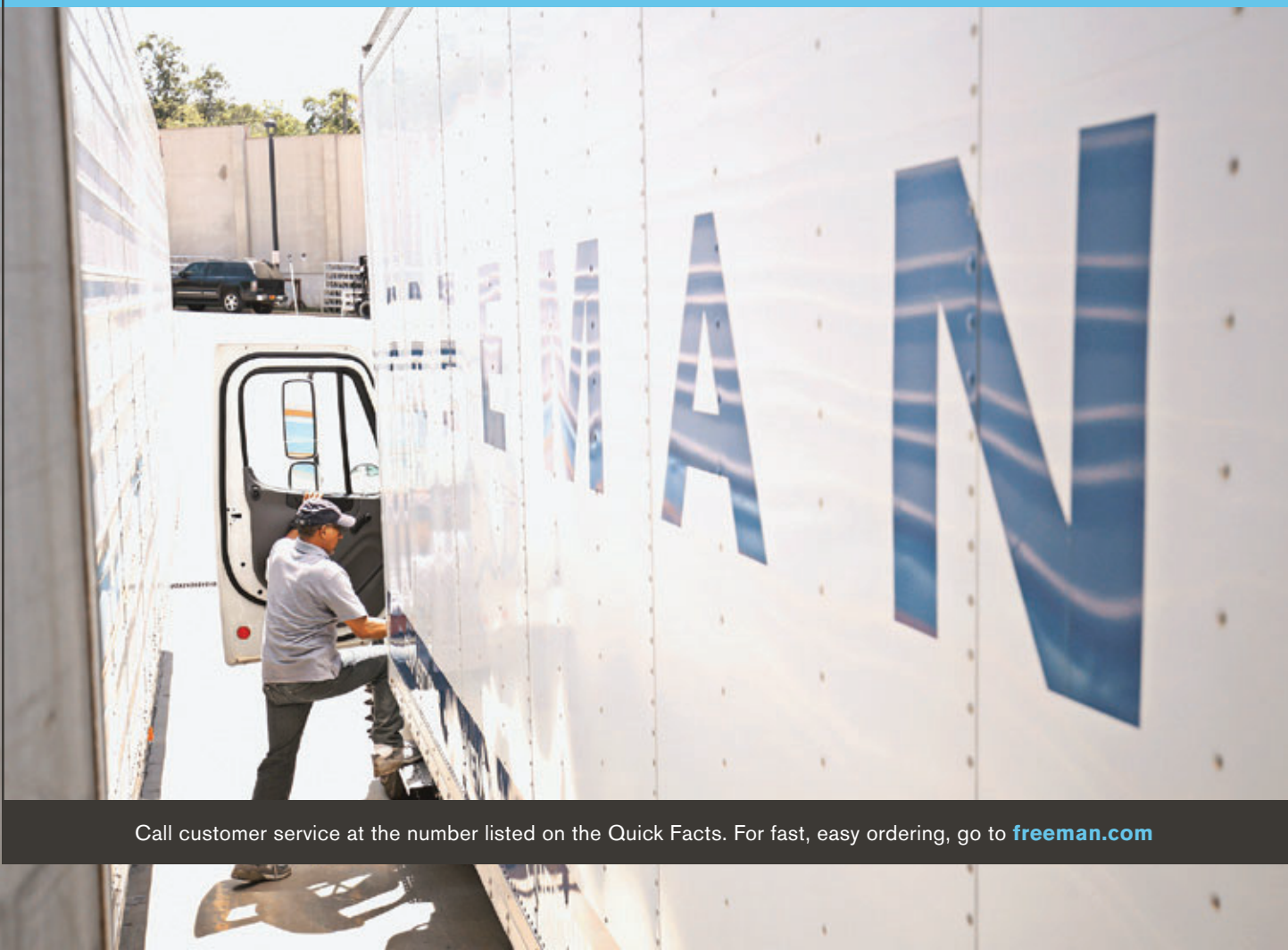


To take advantage, call **1-800-995-3579** or email **exhibit.transportation@freeman.com** for a quote.

RESULTS, DELIVERED

With more than 90 years of experience in the events industry, no one understands exhibit transportation better than Freeman. Our transportation services are a seamless extension of the premium products that exhibitors around the world rely on time and time again.

Between our all-inclusive pricing and superior customer service, Freeman Exhibit Transportation is the most reliable, convenient and cost-effective solution available. Our team of experts has the ability to quickly respond to changes when necessary, remaining entirely responsive to all of your show requirements, whenever and wherever they arise.



Call customer service at the number listed on the Quick Facts. For fast, easy ordering, go to freeman.com

EXHIBIT TRANSPORTATION SERVICES

Freeman Exhibit Transportation is an EPA Smartway Partner and is dedicated to reducing carbon emissions related to the transportation of goods. Renting or shipping items locally saves on carbon emissions and your shipping footprint.

Freeman Exhibit Transportation promise:

- ALL-INCLUSIVE PRICING WITH NO ADDITIONAL FEES FOR PICKUPS AND DELIVERIES, INCLUDING WEEKEND AND NIGHT SERVICE
- ONE CONVENIENT INVOICE ENCOMPASSING ALL FREEMAN SHOW SERVICES
- ON-SITE TRANSPORTATION EXPERTS ARE AVAILABLE BEFORE, DURING AND AFTER THE SHOW
- RELIABLE CUSTOMER SERVICE SEVEN DAYS A WEEK, OFFERING COMPLETE SHIPMENT VISIBILITY AND EXPERT SUPERVISION

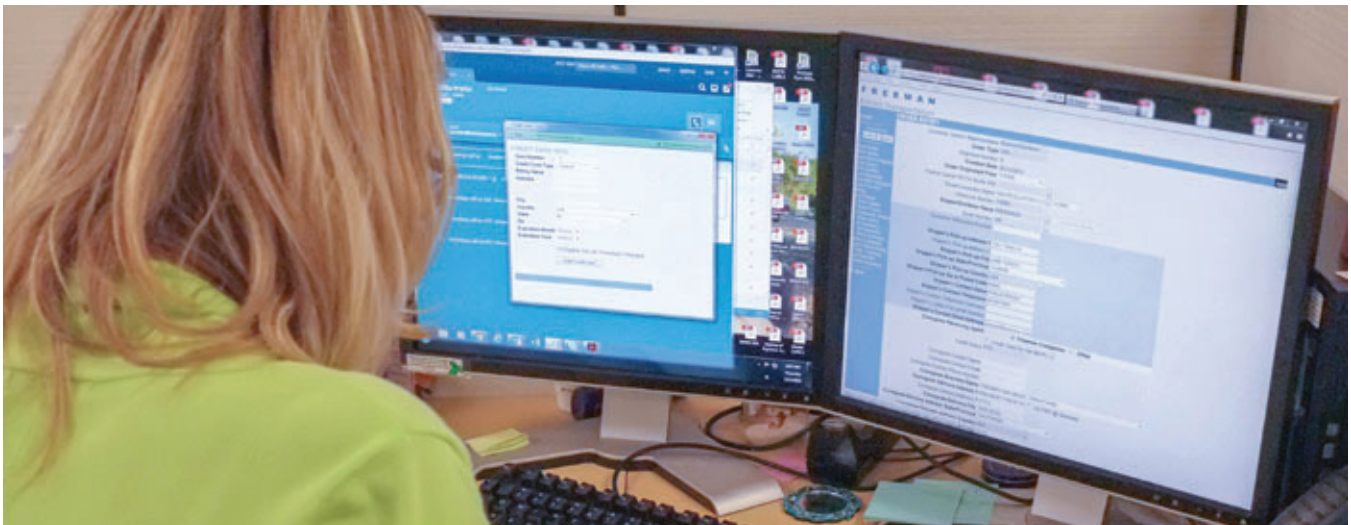
Questions?

For more information regarding our services, rates, shipment deadlines, documentation requirements, ordering and the terms and conditions of our service offerings, please visit freeman.com

Continental U.S. Exhibitors: Contact our exhibit transportation experts at **800.995.3579** or via email at exhibit.transportation@freeman.com

International Exhibitors: Contact our exhibit transportation experts at **+1.817.607.5183** or via email at international.freight@freeman.com

DON'T FORGET ABOUT INBOUND SHIPPING! COMPLETE AND SEND THE ORDER FORM



FREEMAN

(800) 995-3579 Toll Free US & Canada
(817) 607-5183 Local & International

COMPLETE THIS FORM ONLY IF YOU ARE SHIPPING YOUR EXHIBIT MATERIALS BY FREEMAN EXHIBIT TRANSPORTATION

NAME OF SHOW: **WEF ODORS & STORMWATER 2020 CONFERENCE / MARCH 15 - 18, 2020**

COMPANY NAME: _____ BOOTH #: _____ BOOTH SIZE: _____ X

CONTACT NAME : _____ PHONE #: _____

E-MAIL ADDRESS : _____

For Assistance, please call applicable number listed above to speak with one of our experts.

For fast, easy ordering, go to www.freeman.com

EXHIBIT TRANSPORTATION

TIPS FOR EASY ORDERING

- Credit card information must be on file prior to pick up, as charges will be included on your show services invoice.
- International Exhibitors remember - Shipments originating from countries other than the US must be cleared through customs. Please call for additional information:
(800) 995-3579 Toll Free US & Canada
(817) 607-5183 Local & International

COMPLETE THE FOLLOWING ITEMS ON THIS FORM:

PICK UP INFORMATION

Requested Pick Up Date: _____

SHIPPER NAME _____

SHIPPER ADDRESS _____

(City) (State) (Zip Code)

DESTINATION

- I will be shipping to the **WAREHOUSE**

FREEMAN / Exhibiting Company Name / Booth #
WEF ODORS & STORMWATER 2020 CONFERENCE
 C/O: FREEMAN / UPS FREIGHT
 3250 E KEMPER RD
 SHARONVILLE, OH 45241
MUST BE DELIVERED BY MARCH 09, 2020

- I will be shipping to **SHOW SITE**

FREEMAN / Exhibiting Company Name / Booth #
WEF ODORS & STORMWATER 2020 CONFERENCE
 C/O: FREEMAN
 DUKE ENERGY CONVENTION CENTER
 525 ELM ST
 (RECEIVING DOCK LOCATED AT 6TH AND PLUM ST)
 CINCINNATI, OH 45202
CANNOT BE DELIVERED BEFORE MARCH 15, 2020

TYPE OF SERVICE

- Next Day Air: Delivery next business day by 5:00 PM
 Second Day Air: Delivery second business day by 5:00 PM
 3-5 Day Service: Delivery within 3 - 5 business days
 Declared Value \$ _____

Air Transportation charges are billed by Dimensional or Actual Weight, whichever is greater.

- Standard Ground: Dependent on distance
 Expedited Ground: Tailored to specific requirements
 Specialized: Pad wrapped, uncrated, truck load

SHIPPING INFORMATION

Items to be shipped

Number of Pieces	Est. Weight
____ Crates (wooden)	_____
____ Cartons (cardboard)	_____
____ Cases/Trunks (fiber) (color _____)	_____
____ Skids/Pallets	_____
____ Carpet (color _____)	_____
____ Other (_____)	_____
____ Total	_____

Size of largest piece: (H) _____ (W) _____ (L) _____

NOTE: Shipments will be weighed and measured prior to delivery.

OUTBOUND SHIPPING

- I would like to schedule outbound Freeman Exhibit Transportation. Please provide me with a Material Handling Agreement at show site for my shipping instructions and signature. So we may print your Outbound Material Handling Agreement and labels, please complete the following information **if different from pick up address:**

Ship to address:

Number of Labels : _____

FAX THIS COMPLETED FORM VIA:

E-mail:

exhibit.transportation@freeman.com

or

Fax: (469) 621-5810

A TRANSPORTATION SPECIALIST WILL CALL YOU TO CONFIRM RECEIPT OF SHIPMENT REQUEST AND FINALIZE DETAILS.

SHOW # (494801) _____

FREEMAN exhibit transportation

WHAT ARE FREIGHT SERVICES?

As the official service contractor, Freeman is the exclusive provider of freight services. Material handling includes unloading your exhibit material, storing up to 30 days in advance at the warehouse address, delivering to the booth, the handling of empty containers to and from storage, and removing of material from the booth for reloading onto outbound carriers. It should not be confused with the cost to transport your exhibit material to and from the convention or event. You have two options for shipping your advance freight — either to the warehouse or directly to show site.

HOW DO I SHIP TO THE WAREHOUSE?

- We will accept freight beginning 30 days prior to show move-in.
- To check on your freight arrival, call Exhibitor Services at the location listed on the Quick Facts.
- To ensure timely arrival of your materials at show site, freight should arrive by the deadline date listed on the Quick Facts. Your freight will still be received after the deadline date, but additional charges will be incurred.
- The warehouse will receive shipments Monday through Friday, except holidays. Refer to the Quick Facts for warehouse hours. No appointment is necessary.
- The warehouse will accept crates, cartons, skids, trunks/cases and carpets/pads. Loose or pad-wrapped material must be sent directly to show site.
- All shipments must have a bill of lading or delivery slip indicating the number of pieces, type of merchandise and weight.
- Shipments received without receipts or freight bills, such as Federal Express and UPS, will be delivered to the booth without guarantee of piece count or condition.
- Certified weight tickets must accompany all shipments.
- Warehouse freight will be delivered to the booth prior to exhibitor set up.

HOW DO I SHIP TO SHOW SITE?

- Freight will be accepted only during exhibitor move-in. Please refer to the Quick Facts for the specific exhibitor move-in dates and times.
- All shipments must have a bill of lading or delivery slip indicating the number of pieces, type of merchandise and weight.
- Shipments received without receipts or freight bills, such as Federal Express and UPS, will be delivered to the booth without guarantee of piece count or condition.
- Certified weight tickets must accompany all shipments.

WHAT ABOUT PREPAID OR COLLECT SHIPPING CHARGES?

- Collect shipments will be returned to the delivery carrier.
- To ensure that your freight does not arrive collect, mark your bill of lading “prepaid.”
- “Prepaid” designates that the transportation charges will be paid by the exhibitor or a third party.

HOW SHOULD I LABEL MY FREIGHT?

- The label should contain the exhibiting company name, the booth number and the name of the event.
- The specific shipping address for either the warehouse or show site is located on the Quick Facts.

HOW DO I ESTIMATE MY MATERIAL HANDLING CHARGES?

- Charges will be based on the weight of your shipment. Each shipment received is billed individually and is subject to the applicable show weight minimum. The shipment weight will be rounded to the next 100 pounds. Each 100 pounds is considered one “cwt.” (one hundred weight). All shipments are subject to reweigh.
- On the Material Handling Order Form, select whether the freight will arrive at the warehouse or be sent directly to show site.
- Next, select the rate for the freight category that best describes your shipment. There are four categories of freight:

Crated: material that is skidded or is in any type of shipping container that can be unloaded at the dock with no additional handling required.

Special Handling: material delivered by the carrier in such a manner that it requires additional handling, such as ground unloading, stacked and constricted space unloading, designated piece unloading, loads mixed with pad-wrapped material, loads failing to maintain shipping integrity, and shipments that require additional time, equipment or labor to unload. Federal Express and UPS are included in this category due to their delivery procedures.

Uncrated: material that is shipped loose or pad-wrapped, and/or unskidded machinery without proper lifting points.

Carpet and/or Pad Only: shipments that consist of loose carpet and/or padding only require additional labor and equipment to unload.

- All inbound and outbound shipments are subject to overtime charges if the shipments are received, loaded or unloaded during the overtime hours specified on the Material Handling Order Form. This includes both warehouse and show site shipments.
- Add any late delivery or off-target charges listed on the Material Handling Order Form if the freight will be received after the deadlines listed on the Quick Facts.
- The above services, whether used completely or in part, are offered as a package and the charges will be based on the total inbound weight of the shipment.

WHAT HAPPENS TO MY EMPTY CONTAINERS DURING THE SHOW?

- Pick up “Empty Labels” at the Freeman Service Center. Once the container is completely empty, place a label on each container individually. Labeled empty containers will be picked up periodically and stored in non-accessible storage during the event.
- At the close of the show, the empty containers will be returned to the booth in random order. Depending on the size of the show, this process may take several hours.

HOW DO I PROTECT MY MATERIALS AFTER THEY ARE DELIVERED TO THE SHOW OR BEFORE THEY ARE PICKED UP AFTER THE SHOW?

- Consistent with trade show industry practices, there may be a lapse of time between the delivery of your shipment(s) to your booth and your arrival. The same is true for the outbound phase of the show — the time between your departure and the actual pick-up of your materials. During these times, your materials will be left unattended. We recommend that you arrange for a representative to stay with your materials or that you hire security services to safeguard your materials.

HOW DO I SHIP MY MATERIALS AFTER THE CLOSE OF THE SHOW?

- Each shipment must have a completed Material Handling Agreement in order to ship materials from the show. All pieces must be labeled individually.
- To save time, complete and submit the Outbound Shipping Form in advance, or you may contact the Freeman Service Center at show site for your shipping documents.
- Once we receive your outbound shipping information we will create your Material Handling Agreement and shipping labels. If the shipping information is provided in advance, the Material Handling Agreement will be delivered to your booth with your invoice. Otherwise the Material Handling Agreement and labels will be available for pick up at the Freeman Service Center.

- After materials are packed, labeled, and ready to be shipped, the completed Material Handling Agreement must be turned in at the Freeman Service Center.
- Call your designated carrier with pick-up information. Please refer to the Quick Facts for specific dates, times and address for pick up. In the event your selected carrier fails to show by the final move-out day, your shipment will either be rerouted on Freeman’s carrier choice or delivered back to the warehouse at the exhibitor’s expense.
- For your convenience, approved show carriers will be on site to book outbound transportation if you have not made arrangements in advance.

WHERE DO I GET A FORKLIFT?

- Forklift orders to install or dismantle your booth after materials are delivered may be ordered in advance or at show site. We recommend that you order in advance to avoid additional charges at show site. Refer to the Rigging Order Form for available equipment.
- Advance and show site orders for equipment and labor will be dispatched once a company representative signs the labor order at the Freeman Service Center.
- Start time is guaranteed only when equipment is requested for the start of the working day.

DO I NEED INSURANCE?

- Be sure your materials are insured from the time they leave your firm until they are returned after the show. It is suggested that exhibitors arrange all-risk coverage. This can be done by riders to your existing policies.
- All materials handled by Freeman are subject to the Terms and Conditions, which can be found in the exhibit service manual or online at www.freeman.com.

OTHER AVAILABLE FREIGHT SERVICES

(may not be available in all locations)

- Cranes
- Accessible storage at show site
- Exhibit transportation services (see enclosed brochure)
- Security storage at show site
- Short-term and long-term warehouse storage
- Local pick-up and delivery
- Priority empty return

FREEMAN

1701 Lebanon Pike Circle
Nashville, TN 37210
(615) 884-5785 • Fax: (469) 621-5615

**INCLUDE THE FREEMAN METHOD OF
PAYMENT FORM WITH YOUR ORDER**

NAME OF SHOW: **WEF ODORS & STORMWATER 2020 CONFERENCE / MARCH 15 - 18, 2020**

COMPANY NAME _____ BOOTH #: _____

CONTACT NAME: _____ PHONE #: _____

E-MAIL ADDRESS _____

For Assistance, please call 615-884-5785 to speak with one of our experts.

Let Freeman Online® estimate your material handling charges for you. Log on to www.freeman.com select your show and click on "Estimate My Material Handling Costs". From Freeman Online® you can print extra shipping labels, get tips on how to package your freight and much more.

MATERIAL HANDLING SERVICES

- CRATED:** Material that is skidded or is in any type of shipping container that can be unloaded at the dock with no additional handling required.
- SPECIAL HANDLING:** (See definitions on back) Material delivered in such a manner that it requires additional handling, such as ground unloading, stacked or constricted space unloading, designated piece unloading, shipment integrity, alternate delivery location, loads mixed with pad wrapped material, no documentation and shipments that require additional time, equipment or labor to unload. **Federal Express, UPS & DHL** are included in this category due to their delivery procedures.
- UNCRAVED:** Material that is shipped loose or pad-wrapped, and/or unskidded machinery without proper lifting points.
- CARPET AND/OR PAD ONLY:** Shipments that consist of loose carpet and/or padding only require additional labor and equipment to unload.
- STRAIGHT TIME:** 8:00 A.M. to 4:30 P.M. Monday through Friday
- OVERTIME:** 4:30 P.M. to 8:00 A.M. Monday through Friday, all day Saturday, Sunday, and Holidays
(Overtime will be applied to all freight received at the warehouse and/or show site that must be moved into or out of booth during above listed times.)

Description	Price Per CWT	200 lb. Minimum
-------------	---------------	-----------------

RATE CLASSIFICATIONS:

Warehouse Shipment (200 lb. minimum)

Crated or Skidded Shipment.....	\$139.75	279.50
Special Handling Shipment.....	\$181.75	363.50
Carpet and/or Pad Only Shipment.....	\$209.75	419.50

Show Site Shipment (200 lb. minimum)

Crated or Skidded Shipment.....	\$120.50	241.00
Special Handling Shipment.....	\$156.75	313.50
Uncrated or Pad Wrapped Shipment.....	\$180.75	361.50
Carpet and/or Pad Only Shipment.....	\$180.75	361.50

Small Package - Maximum weight is 30 lbs per shipment*

Per Shipment.....	\$ 40.00	
-------------------	----------	--

*A small package shipment is a shipment totaling any number of pieces with a combined weight not to exceed 30 lbs that is received on the same day, from the same shipper and delivered by the same carrier.

ADDITIONAL SURCHARGES:

Shipment Delivered after Deadline Date (in addition to above rates)

Warehouse Shipment after Deadline.....	\$ 35.00	70.00
Show Site Shipment after Deadline.....	\$ 30.25	60.50

Overtime Charge - Inbound (in addition to above rates)

Crated or Skidded Shipment.....	\$ 30.25	60.50
Special Handling Shipment.....	\$ 39.25	78.50
Uncrated or Pad Wrapped Shipment.....	\$ 45.25	90.50
Carpet and/or Pad Only Shipment.....	\$ 45.25	90.50

Overtime Charge - Outbound (in addition to above rates)

Crated or Skidded Shipment.....	\$ 30.25	60.50
Special Handling Shipment.....	\$ 39.25	78.50
Uncrated or Pad Wrapped Shipment.....	\$ 45.25	90.50
Carpet and/or Pad Only Shipment.....	\$ 45.25	90.50

Description	Weight	CWT	Price per CWT	Estimated Total Cost (200 lb. Min.)
	÷ 100 =			
Surcharges	÷ 100 =			
			0.00% Tax	(N/A)
			Total	

FREEMAN material handling

SPECIAL HANDLING DEFINITIONS

for frequently asked questions and material handling estimator tools, go to www.freeman.com

Special handling applies to shipments that are loaded by cubic space and/or packed in such a manner as to require additional labor/handling, such as ground unloading, constricted space unloading, designated piece unloading, or stacked shipments. Also included are shipment integrity, alternate delivery locations, mixed shipments, and shipments without individual bills of lading. Shipments loaded in this manner require additional time, labor, or equipment, to unload, sort and deliver.

What is Ground Loading/Unloading?

Vehicles that are not dock height, preventing the use of loading docks, such as U-hauls, flat bed trailers, double drop trailers, company vehicles with trailers that are not dock level, etc.

What is Constricted Space Loading/Unloading?

Trailer loaded "high and tight" shipments that are not easily accessible. Freight is loaded to full capacity of trailer – top to bottom, side to side. One example of this is freight that is loaded down one side of a trailer that must be bypassed to reach targeted freight.

What is Designated Piece Loading/Unloading?

Drivers that require the loading crew to bring multiple pieces of the freight to the rear of the trailer to select the next piece, having to remove freight from the trailer then reload to fit or the trailer must be loaded in a sequence to ensure all items fit.

What are Stacked Shipments?

Shipments loaded in such a manner requiring multiple items to be removed to ground level for delivery to booth. Stacked or "cubed out" shipments, loose items placed on top of crates and/or pallets constitute special handling.

What is Shipment Integrity?

Shipment integrity involves shipments on a carrier that are intermingled, or delivered in such a manner that additional labor is needed to sort through and separate the various shipments on a truck for delivery to our customers.

What is Alternate Delivery Location?

Alternative delivery location refers to shipments that are delivered by a carrier that requires us to deliver some shipments to different levels in the same building, or to other buildings in the same facility.

What are Mixed Shipments?

Mixed shipments are defined as shipments of mixed crated and uncrated goods, where the percentage of uncrated is minimal and does not warrant the full uncrated rate for the shipment, but does require special handling. Freeman defines special handling for mixed loads as having less than 50% of the volume as uncrated.

What does it mean if I have "No Documentation"?

Shipments arrive from a small package carrier (including, among others, Federal Express, UPS & DHL) without an individual Bill of Lading, requiring additional time, labor and equipment to process.

What is the difference between Crated and Uncrated Shipments?

Crated shipments are those that are packed in any type of shipping container that can be unloaded at the dock with no additional handling required. Such containers include crates, fiber cases, cartons, and properly packed skids. An uncrated shipment is material that is shipped loose or pad-wrapped, and/or unskidded without proper lifting points.

What about carpet only shipments?

Shipments that consist of loose carpet and/or padding only require additional labor and equipment to unload.

F R E E M A N

1701 Lebanon Pike Circle
Nashville, TN 37210
(615) 884-5785 • Fax: (469) 621-5615

**INCLUDE THE FREEMAN METHOD OF
PAYMENT FORM WITH YOUR ORDER**

NAME OF SHOW: **WEF ODORS & STORMWATER 2020 CONFERENCE / MARCH 15 - 18, 2020**

COMPANY NAME _____ BOOTH #: _____

CONTACT NAME: _____ PHONE #: _____

E-MAIL ADDRESS _____

For Assistance, please call 615-884-5785 to speak with one of our experts.

For fast, easy ordering, go to www.freeman.com

DIRECT MOBILE UNITS / MOTORIZED VEHICLES

Exhibitors or agents with mobile or motorized equipment will require guidance to their respective booths. This guidance is required and provided by Freeman to prevent damage that may occur to exhibits, or property of others, or when necessary to move crates that may be in the aisles.

Exhibitors may drive their motorized equipment in and out of the exhibit areas or have Freeman supply an operator when available at an additional cost.

SPOTTING FEE

MOBILE UNITS \$ 387.00 PER UNIT (Round Trip)

MOTORIZED VEHICLES \$ 387.00 PER UNIT (Round Trip)

Number of units: _____ Type: _____

Dimensions of Largest Unit:

Height _____ Width _____ Length _____ Weight _____



Will you require a crane or forklift (additional charges will apply)? _____

Comments/Special Handling Requirements: _____

FREEMAN mobile units/motorized vehicles

FREEMAN

1701 Lebanon Pike Circle
 Nashville, TN 37210
 (615) 884-5785 Fax: (469) 621-5615

**OUTBOUND MATERIAL HANDLING
 AND SHIPPING LABELS**

NAME OF SHOW: **WEF ODORS & STORMWATER 2020 CONFERENCE / MARCH 15 - 18, 2020**

COMPANY NAME: _____ BOOTH #: _____ BOOTH SIZE: _____ X

CONTACT NAME : _____ PHONE #: _____

E-MAIL ADDRESS : _____

For Assistance, please call (615) 884-5785 to speak with one of our experts.

For fast, easy ordering, go to www.freeman.com

EVERY OUTBOUND SHIPMENT WILL REQUIRE A MATERIAL HANDLING AGREEMENT AND SHIPPING LABELS. WE WOULD BE HAPPY TO PREPARE THESE FOR YOU AND DELIVER THEM TO YOUR BOOTH PRIOR TO SHOW CLOSE. TO TAKE ADVANTAGE OF THIS SERVICE, PLEASE COMPLETE AND RETURN THIS FORM TO THE FREEMAN SERVICE CENTER.

SHIPPING INFORMATION

SHIP TO: COMPANY NAME: _____

DELIVERY ADDRESS: _____

CITY: _____ STATE/ PROVINCE: _____ ZIP/ POSTAL CODE: _____

PHONE#: _____ ATTN: _____

SPECIAL INSTRUCTIONS: _____

BILL TO: Same as Ship to:

COMPANY NAME: _____

DELIVERY ADDRESS: _____

CITY: _____ STATE/ PROVINCE: _____ ZIP/ POSTAL CODE: _____

METHOD OF SHIPMENT

Select a Carrier:

Freeman Exhibit Transportation **Other Carrier**

No need to schedule your outbound shipment. Carrier Name: _____
 Charges will appear on your Freeman invoice. Carrier Phone: _____

Freeman will make arrangements for all Freeman Exhibit Transportation shipments.
 Arrangements for pick-up by other carriers is the responsibility of the exhibitor.

Select a Level of Service:

1 Day: Delivery next business day Standard Ground
 2 Day: Delivery by 5:00 PM second business day Specialized: Pad wrapped, uncrated, or truckload
 Deferred: Delivery within 3-5 business days

Select Shipment Options (if applicable)

Have loading dock Lift gate required
 Inside delivery Air ride required
 Pad wrap required Residential
 Do not stack

Select Desired Number of Labels: _____

Once your shipment is packed and ready to be picked up from your booth, please return completed the Material Handling Agreement to the Freeman Service Center. Shipments without a Material Handling Agreement turned in will be returned to our warehouse at exhibitor's expense.

F R E E M A N

R U S H

DO NOT DELAY

F R E E M A N

R U S H

DO NOT DELAY

RECEIVING DATE BEGINS: FEBRUARY 14, 2020

RECEIVING DATE BEGINS: FEBRUARY 14, 2020

DEADLINE DATE IS: MARCH 09, 2020

DEADLINE DATE IS: MARCH 09, 2020

TO: _____

EXHIBITOR NAME

TO: _____

EXHIBITOR NAME

**C/O: FREEMAN / UPS FREIGHT
3250 E KEMPER RD**

**C/O: FREEMAN / UPS FREIGHT
3250 E KEMPER RD**

SHARONVILLE, OH 45241

SHARONVILLE, OH 45241

WAREHOUSE

WAREHOUSE

EVENT: _____
*WEF ODORS & STORMWATER 2020
CONFERENCE*

EVENT: _____
*WEF ODORS & STORMWATER 2020
CONFERENCE*

BOOTH NO: _____ NO. _____ OF _____ PCS

BOOTH NO: _____ NO. _____ OF _____ PCS

THE ABOVE LABELS ARE PROVIDED FOR YOUR CONVENIENCE.
PLACE ONE ON EACH PIECE SHIPPED TO ENSURE PROPER DELIVERY.
IF MORE LABELS ARE NEEDED, COPIES ARE ACCEPTABLE.

F R E E M A N

F R E E M A N

R U S H

R U S H

DO NOT DELAY

DO NOT DELAY

CANNOT DELIVER BEFORE MARCH 15, 2020

CANNOT DELIVER BEFORE MARCH 15, 2020

TO: _____
EXHIBITOR NAME

TO: _____
EXHIBITOR NAME

C/O: FREEMAN
DUKE ENERGY CONVENTION CENTER
525 ELM ST
(RECEIVING DOCK LOCATED AT 6TH AND PLUM ST)
CINCINNATI, OH 45202

C/O: FREEMAN
DUKE ENERGY CONVENTION CENTER
525 ELM ST
(RECEIVING DOCK LOCATED AT 6TH AND PLUM ST)
CINCINNATI, OH 45202

SHOW SITE

SHOW SITE

EVENT: _____
*WEF ODORS & STORMWATER 2020
CONFERENCE*

EVENT: _____
*WEF ODORS & STORMWATER 2020
CONFERENCE*

BOOTH NO: _____ NO. _____ OF _____ PCS

BOOTH NO: _____ NO. _____ OF _____ PCS

THE ABOVE LABELS ARE PROVIDED FOR YOUR CONVENIENCE.
PLACE ONE ON EACH PIECE SHIPPED TO ENSURE PROPER DELIVERY.
IF MORE LABELS ARE NEEDED, COPIES ARE ACCEPTABLE.

FREEMAN®

furnishings 2019





EMPOWERING YOUR BUSINESS FROM THE GROUND UP

Meaningful engagement doesn't have to be complicated. You just need the right elements. Whether you're a global brand testing a new product, a startup seeking exposure, or an organization needing flexibility, the furnishings to create a dynamic brand experience start here. **To learn more about our exhibit solutions, go to freeman.com/exhibit-design**

**It's not about building a booth.
It's about designing a**

beacon

Fairfax Sofa & La Brea Chairs

10'x10' Booth



10'x10' Munich Sectional Booth



10'x20' Malba Café & Bench Theater Booth

Power Up In Style.

Denotes Powered Products



ROMA

81021 Chair, Powered
(white vinyl) 37"L 31"D 33"H



POWERED
DETAIL

ROMA

83017 Sofa, Powered
(white vinyl) 78"L 31"D 33"H

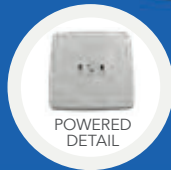
HEDGE

4 ft 85035
4' Boxwood Hedge
46"L 9"D 47"H



WIRELESS CHARGING TABLE, POWERED

820710
(white, ac plug-in)
20"L 20"D 18"H



POWERED
DETAIL

Powered Seating

Empower attendees at your next show with functional charging furniture and make searching for wall outlets history. From soft seating and tables to pedestals and lamps, our complete charging collection lets you Power Up the Possibilities.

Powered Seating



A) 810120
Naples Chair, Powered
 (black vinyl)
 36" L 30" D 33.25" H

B) 830121
Naples Sofa, Powered
 (black vinyl)
 87" L 30" D 33.25" H

C) 830122
Naples Loveseat, Powered
 (black vinyl)
 62" L 30" D 33.25" H

Powered Tables



Ventura Powered Bar Tables
 72.25" L 26.25" D 42" H
 (silver frame)
A) 820955 (white top)
B) 820950 (black top)

Ventura Powered Café Tables
 72.25" L 26.25" D 30" H
 (silver frame)
C) 820964 (black top)
D) 820965 (white top)



Sydney Powered Cocktail Tables
 48" L 26" D 18" H
 (brushed steel)
E) 82073 (white)
F) 82076 (black)

Please Note: Client is responsible for providing labor and an electrical power source to the furniture. One 110V power source is required for each charging panel. Two charging units can be daisy chained together. 10A max per charging panel.

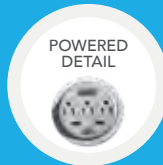
Powered Banquettes.

Denotes Powered Products



Modular System

Create round banquettes or custom serpentine seating. The Power Banquette system has three AC and two USB plugs built into the center cone so your client will never be left powerless. Center power cone may also be rented as a free-standing charging station.



POWERED
DETAIL

Detail of Electrical
Charging Outlet



Full Banquette
w/ Electrical Charging Outlet
(white vinyl)
72"RND 51"H



8506 Center Cone
w/ Electrical Charging Outlet
(white vinyl)
38"RND 51"H



8507 Quarter Curve Ottoman
(white vinyl)
53"L 22"D 18"H



Ottoman Ring
(4 curve ottoman seats)
(white vinyl)
72"RND 18"H




815119 Half Bench Ottoman
(white vinyl)
39"L 22"D 18"H

Powered Pedestals



(The flip top electrical units rotate 180 degrees, allowing devices to be charged from inside the locked cabinet or on the surface.)

(Mobile devices must be compatible with Qi wireless charging pad.)

Denotes AC and USB charging outlets 

- Powered Locking Pedestal**
(white)
A) 85061 24"L 24"D 36"H
B) 85063 24"L 24"D 42"H
(black)
C) 85060 24"L 24"D 36"H
D) 85062 24"L 24"D 42"H

- Wireless Charging Table, Powered**
E) 820710
(white, AC plug-In)
 20"L 20"D 18"H

Please Note: Client is responsible for providing labor and an electrical power source to the furniture. One 110V power source is required for each charging panel. Two charging units can be daisy chained together. 10A max per charging panel.

Powered Tech Desk



- A) 84083 Tech Desk, Powered w/3 Drawer File Cabinet**
(black metal, laminate)
 60"L 30"D 30"H
- B) 84084 Tech Desk, Powered**
(black metal, laminate)
 60"L 30"D 30"H
- C) 84080 3 Drawer File Cabinet on Castors**
(black metal, laminate)
 16"L 20"D 28"H

Soft Seating

Create Engaging Booth Environments

HOPI

(gray linen)
810140, Chair
21"L 25"D 34"H
830150, Loveseat
48"L 25"D 34"H



HEDGE

7 ft 85030
7' Boxwood Hedge
36.5"L 12"D 84"H

PEDESTAL

85063
Powered Locking
(white)
24"L 24"D 42"H

CAFÉ TABLE

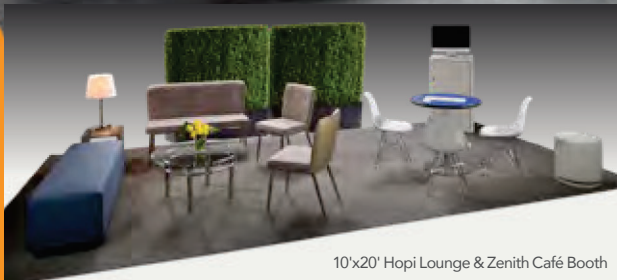
8201223
Hydraulic Chrome Base
(laminated white top)
30"Round 29"H

REGIS

82075 End Table
(brushed metal)
16"L 15.5"D 16.5"H

MARCHE

815159 Swivel Ottoman
(blue fabric)
17"RND 18"H



10'x20' Hopi Lounge & Zenith Café Booth

Soft Seating Collections

Available in Power 



BAJA

A) 81050 Chair
(white vinyl)
36"L 30.5"D 28"H

B) 83019 Sofa
(white vinyl)
86"L 28"D 30"H

C) 83020 Loveseat
(white vinyl)
61"L 30.5"D 28"H



FAIRFAX

A) 830949 Sofa
(white vinyl, brushed metal)
62"L 26"D 30"H

B) 810949 Chair
(white vinyl, brushed metal)
27"L 26"D 30"H



NAPLES

A) 810119 Chair
(black vinyl)
36"L 30"D 33.25"H
810120 (Powered)

B) 830119 Sofa
(black vinyl)
87"L 30"D 33.25"H
830121 (Powered)

C) 830120 Loveseat
(black vinyl)
62"L 30"D 33.25"H
830122 (Powered)

Munich Collection

Modular Seating to Design Custom Exhibits

Denotes Powered Products



MUNICH

830201 Sectional 3pc.
(gray fabric)
93.5"L 27"D 28.5"H



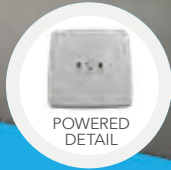
HEDGE

4 ft 85035
4' Boxwood Hedge
46"L 9"D 47"H



 **WIRELESS CHARGING TABLE, POWERED**

820710
(white, ac plug-in)
20"L 20"D 18"H



830200 Munich Armless Loveseat
(gray fabric)
45"L 27"D 28.5"H



810150 Munich Corner Chair
(gray fabric)
26"L 27"D 28.5"H



810151 Munich Armless Chair
(gray fabric)
22.5"L 27"D 28.5"H

Soft Seating Collections



A.



B.



A.



B.



C.

ALLEGRO

- A) 81019 Chair**
(blue fabric)
36"L 34.5"D 30"H
- B) 83015 Sofa**
(blue fabric)
73"L 34.5"D 30"H

TANGIERS

- A) 830118 Sofa**
(beige textured)
78"L 37"D 36"H
- B) 810118 Chair**
(beige textured)
34"L 37"D 36"H
- C) 830220 Loveseat**
(beige textured)
57.5"L 37"D 37"H

KEY LARGO

- A) 810950 Chair**
(black fabric)
35"L 35"D 34"H
- B) 830950 Loveseat**
(black fabric)
57"L 35"D 34"H
- C) 830951 Sofa**
(black fabric)
79"L 35"D 34"H

SOUTH BEACH

- (platinum suede)
- A) 8301 Sofa**
69"L 29"D 33"H
- B) 8151 Ottoman**
25"L 31"D 18"H

A.



B.



C.



A.



B.



Accent Chairs



SWANSON

810875 Swivel Chair
(white vinyl)
28" L 25" D 30" H

KEY WEST

8103 Chair
(black)
31" L 31" D 31" H



LA BREA

810874 Chair
(charcoal gray, fabric)
35" L 27" D 40" H



WENTWORTH

810145 Chair
(brown vinyl)
32.1" L 26" D 31.5" H

AURA

820844 Round Table
(white metal)
15" Round 22" H



Accent Chair Styles



A.



B.



C.



D.



E.



F.

Madrid Chair

A) 81816
(white vinyl)
30"L 30"D 31"H

B) 8102
(black vinyl)
30"L 30"D 31"H

C) 810949

Fairfax Chair
(white vinyl, brushed metal)
27"L 26"D 30"H

D) 810151

Munich Armless Chair
(gray fabric)
22.5"L 27"D 28.5"H

E) 810140

Hopi Chair
(gray linen)
21"L 25"D 34"H

F) 810947

Pro Executive Guest Chair
(black vinyl)
24"L 22"D 36"H

Meeting & Stage Chairs



A.



B.



C.



D.



E.



F.

Marina Chair

17.5"L 19.5"D 35"H
A) 810160 (black vinyl)
B) 810161 (brown fabric)
C) 810164 (white vinyl)

Meeting Chair

25.5"L 23.5"D 34"H
D) 810835 (espresso vinyl)
E) 810836 (taupe fabric)
F) 810948 (white vinyl)

Group Seating

ZENITH

A) 810851 Chair
(white, chrome)
18.25"L 22"D 32"H

**B) 820241
Madison Hydraulic
Café Table**
(chrome base, gray
acajou top)
30" RND 29"H



LAGUNA

C) 810861 Chair
(maple, chrome)
18"L 19"D 34"H

**D) 8201223
Round Café Table**
(white laminate top,
chrome hydraulic base)
30" Round 29"H



A.



MALBA

20"L 20"D 32"H

A) 810131 Chair (gray)
B) 810130 Chair (green)

MARINA

17.5"L 19.5"D 35"H

A) 810164 (white vinyl)
B) 810160 (black vinyl)
C) 810161 (brown fabric)
D) 810162 (ocean blue fabric)
E) 810163 (red fabric)

A.



B.



C.



D.



E.



Styles & Shapes



A.



B.



C.



D.



E.



F.



G.



H.



I.

**A) 810810
Berlin Chair**
(black, white)
18"L 22"D 32"H

**B) 810846
Christopher Chair**
(white vinyl, chrome)
17"L 19"D 35"H

**C) 810841
Rustique Chair w/arms**
(gunmetal)
20"L 18"D 31"H

**D) 81063
Altura Guest Chair**
(black crepe)
25"L 20"D 34"H

**E) 71089
Diamond Side Chair**
(black)
21"W X 23" L X 32"H

**F) 71090
Diamond Arm Chair**
(black)
20"W X 21"L X 33"H

**G) 810837
Razor Armless Chair**
(white)
15.38"L 15.5"D 30.5"H

**H) 81083
Blade Chair**
(sky blue)
20.5"L 19"D 30.5"H

**I) 81082
Blade Chair**
(red)
20.5"L 19"D 30.5"H

Mix & Match

Create the ultimate seating configuration. Choose from a variety of shapes and sizes to design the perfect look.

J) 210108 LIMERICK® Chair BY HERMAN MILLER™
(gray) 18"W X 17.75"L X 33"H

K) 81093 Lucent Chair (frosted, acrylic) 19.5"L 19.75"D 32.5"H



Ottomans

Vibe Cube

18"L 18"D 18"H

- A) 81531 (white vinyl)
- B) 81530 (black vinyl)
- C) 81532 (steel blue vinyl)
- D) 81534 (purple vinyl)
- E) 81533 (silver vinyl)
- F) 81519 (red vinyl)
- G) 81517 (yellow vinyl)
- H) 81520 (pink vinyl)
- I) 81518 (blue vinyl)
- J) 81525 (orange vinyl)



D.



E.



F.



G.



H.



I.



J.



Styles & Shapes



Beverly Bench
60"L 20"D 18"H
A) 81556 (white vinyl)
B) 81550 (black vinyl)
C) 81552 (gray fabric)
D) 81555 (red fabric)
E) 81554 (ocean blue fabric)
F) 81553 (linen fabric)
G) 81551 (brown fabric)

H) 815119 Half Bench
(white vinyl)
39"L 22"D 18"H

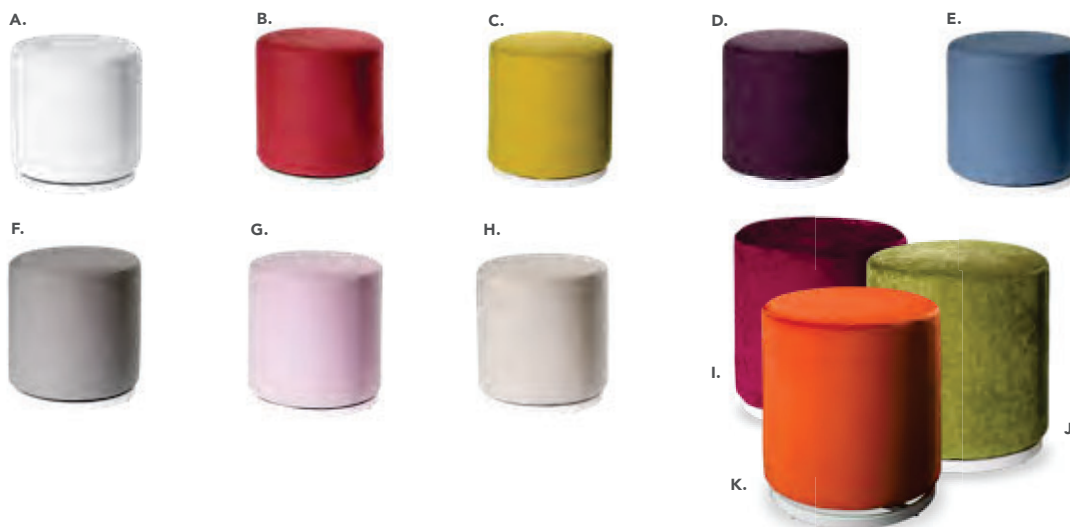
ENDLESS Square
34"L 34"D 15"H
I) 815123 (black)
J) 815122 (white)
ENDLESS Curved
60.5"L 37.5"D 15"H
K) 815952 (black)
L) 815953 (white)

M) 8507 Quarter Curve
(white vinyl)
53"L 22"D 18"H
Ring (4 ottoman seats)
(white vinyl)
72"RND 18"H

N) 81526 Edge LED Cube
(white plastic)
19"L 19"D 19"H
A/C power only

O) 82074 Regis Bench
(brushed metal)
47"L 15.5"D 16"H

Marche Swivel



Marche Swivel Ottomans
17"RND 18"H
A) 815150 (white vinyl)
B) 815154 (red fabric)
C) 815158
(pear yellow fabric)
D) 815156 (plum fabric)
E) 815159 (blue fabric)
F) 815151 (gray fabric)
G) 815155
(rose quartz fabric)
H) 815152 (linen fabric)
I) 815153
(raspberry fabric)
J) 815157
(meadow green fabric)
K) 815160
(orange fabric)

Accent Tables

ALONDRA

Cocktail Table

47"L 24"D 16"H

A) 820250 (glass, chrome)

B) 820251 (wood, chrome)



B.



C.



D.



ALONDRA

End Table

20"L 20"D 20"H

C) 820252 (glass, chrome)

D) 820253 (wood, chrome)

GEO

Cocktail Table

50"L 22"D 16"H

A) 82034 (glass, chrome)

B) 82027 (wood, black)



B.



C.



D.



GEO

End Table

26"L 26"D 20"H

C) 82035 (glass, chrome)

D) 82028 (wood, black)

Styles & Shapes

Available in Power 

Sydney Cocktail Tables

(brushed steel)
48"L 26"D 18"H

- A) 82053 (white)
- 82073 (Powered)
- B) 82052 (black)
- 82076 (Powered)
- C) 82077 (blue)
- D) 82078 (wood)

Sydney End Tables

27"L 23"D 22"H

- E) 82055 (white)
- F) 82054 (black)
- G) 82079 (blue)
- H) 82080 (wood)

Regis Tables

(brushed metal)

- I) 82074 Bench Table
47"L 15.5"D 16"H
- J) 82075 End Table
16"L 15.5"D 16.5"H

Silverado Tables

(glass, chrome)

- K) 82015 End Table
24" Round 22"H
- L) 82014 Cocktail Table
36" Round 17"H

Oliver Tables

(walnut finish)

- M) 82088 End Table
22" Round 22"H
- N) 82087 Cocktail Table
47"L 27"D 19"H

Aura Round Table

O) 82084

(white metal)
15" Round 22"H

Edge LED Cube Table

P) 82057

(plexi top, white plastic)
20"L 20"D 20"H
A/C power only

Wireless Charging

Table, Powered

Q) 820710

(white, AC plug-In)
20"L 20"D 18"H



Café Tables

**A) 820940 Blue Hydraulic
Café Table**
(chrome base, blue top)
30" RND 29" H

B) 810131 Malba Chair
(gray)
20" L 20" D 32" H



**7 ft 85030
7' Boxwood Hedge**
36.5" L 12" D 84" H



30" Round Café Tables

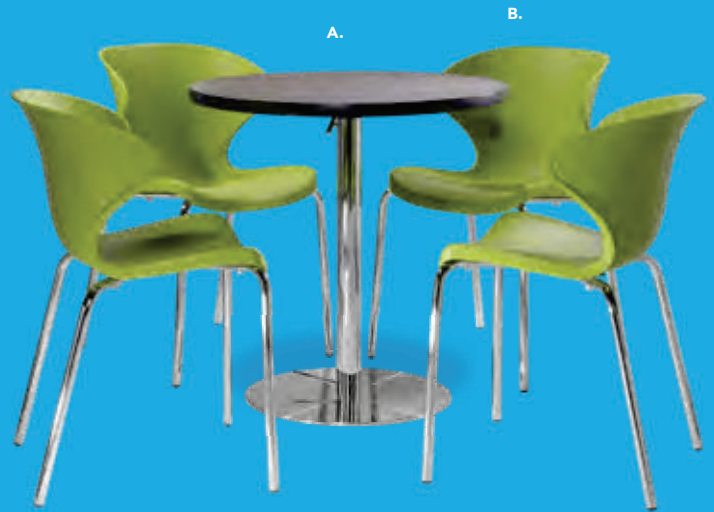
**A) 898240
Standard Black Base**
(red top) 30" RND 29" H

B) 898895 Lucent Chair
(frosted, acrylic)
19.5" L 19.75" D 32.5" H



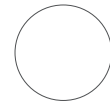
**A) 820241 Madison
Hydraulic Café Table**
(chrome base, gray acajou top)
30" RND 29" H

B) 810130 Malba Chair
(green)
20" L 20" D 32" H



Customize and Create

Choose your base, black or chrome, then pick a color that suits your design.



WHITE LAMINATE



GRAPHITE NEBULA



BLUE LAMINATE



MAPLE



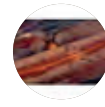
MADISON/GRAY ACAJOU



RED



SILVER TEXTURED



WOOD LAMINATE

Mix & Match

Create your look. Choose from a wide variety of tables and seating options.



C) 72063 Chelsea butcher block-top cafe table
(oak) 30"RND 30"H
also available
72064 36"RND 30"H

D) 810164 Marina Chair
(white vinyl) 17.5"L 19.5"D 35"H

E) 72069 SOHO Series Black Top Café
(black) 24"RND 30"H
also available
72067 36"RND 30"H | **72066** 18"RND 18"H

F) 81082 Blade Chair
(red) 20.5"L 19"D 30.5"H



Café Tables

Standard Black Base
30" RND 29"H

- A) 8201220** (white)
also available
- 820265** (Madison/gray
acajou)
- 820941** (blue)
- 820943** (wood)

Café Tables

Hydraulic Chrome Base
30" RND 29"H

- B) 820923** (graphite nebula)
also available
- 8201208** (maple)
- 820921** (red)
- 820940** (blue)
- 820942** (wood)
- 820925** (silver)
- 8201223** (white)

- 36" RND 29"H
- 820126** (white)
- 8201209** (graphite nebula)
- 8201206** (maple)

Bar Tables

A) 8201222
30" Round Bar Table
 (white top, chrome
 hydraulic base)
 30"RND 45"H

B) 810952
Apex Barstool
 (blue ultra suede)
 21"L 21"D 33"H



C) 8201226
Rustique Square Metal Bar Table
 (gunmetal)
 23.75"L 23.75"D 41.25"H

D) 810839
Rustique Barstool
 (gunmetal)
 13"L 13"D 30"H



E) 820930
30" Round Bar Table
 (blue top, chrome
 hydraulic base)
 30"RND 45"H

F) 810860
Laguna Barstool
 (maple, chrome)
 18"L 20"D 47"H



G) 820240 30"
Round Bar Table
w/ Hydraulic Chrome Base
 (Madison/gray acajou)
 30" RND 45"H

H) 810850
Zenith Barstool
 (white, chrome)
 19"L 20"D 44"H



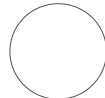
Customize and Create

Choose your base, black or chrome, then pick a color that suits your design.

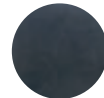
A.



B.



WHITE LAMINATE



GRAPHITE NEBULA



BLUE LAMINATE



MAPLE



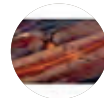
MADISON/GRAY ACAJOU



RED



SILVER TEXTURED



WOOD LAMINATE

Bar Tables

Standard Black Base
30" RND 42"H

A) 8201221 (white)
also available
820264 (Madison/gray acajou)
820931 (blue)
820933 (wood)

Bar Tables

Hydraulic Chrome Base
30" RND 45"H

E) 820922 (graphite nebula)
also available
8201207 (maple)
820920 (red)
820930 (blue)
820932 (wood)
802924 (silver)

36" RND 45"H
820125 (white)
8201211 (graphite nebula)
8201205 (maple)

Style & Design

Choose from a variety of table top colors and styles for the perfect look.

D.



C.



C) 720163 Chelsea butcher block-top bistro
(oak) 30"RND 42"H
also available
720164 36"RND 42"H

D) 81092 Lucent Barstool
(frosted, acrylic) 22"L 22.5"D 45.5"H

E) 72070 SOHO blacktop bistro
(black) 24"RND 42"H
also available
72068 36"RND 42"H

F) 810953 Apex Barstools
(red vinyl) 21"L 21"D 33"H

E.



F.

Barstools



LIFT Barstools

15" Round 23–33.5"H

A) 810870 (white vinyl)

B) 810873 (red vinyl)

C) 810871 (black vinyl)

D) 810872 (gray vinyl)

Styles & Shapes



A.



B.



C.



D.



E.



F.



G.



H.



I.



J.



K.



L.



M.



N.



O.



P.



Q.



R.

T.

U.



S.



Mix & Match

- T) 720163 Butcher Block-Top Bistro (oak) 30" L RND 42" H
also available 720164 36" RND 42" H
- U) 210109 LIMERICK® Stool BY HERMAN MILLER™ (white) 18" X 17.75" L X 44" H

- Apex Barstools**
21" L 21" D 33" H
A) 810951 (black vinyl)
B) 810953 (red vinyl)
C) 810954 (white vinyl)
D) 810952 (blue ultra suede)

- Zoey Barstools**
15" L 16" D 30-34.75" H
E) 810840 (white, chrome)
F) 810834 (black, chrome)

- Banana Barstools**
21" L 22" D 41.75" H
G) 810104 (black, chrome)
H) 810103 (white, chrome)

- I) 810201 Oslo Barstool (white)
17" L 20" D 45" H

- J) 810848 Christopher Barstool (white vinyl, chrome)
19" L 15" D 41" H

- K) 810202 Shark Barstool (white, chrome)
22" L 19" D 34-44" H

- L) 810850 Zenith Barstool (white, chrome)
19" L 20" D 44" H

- M) 81092 Lucent Barstool (frosted, acrylic)
22" L 22.5" D 45.5" H

- N) 810860 Laguna Barstool (maple, chrome)
18" L 20" D 47" H

- Blade Barstool
20.5" L 20.125" D 40.5" H
O) 81080 (red)
P) 81081 (sky blue)

- Q) 71088 Black Diamond Stool (black) 22" W X 18" L X 46" H

- R) Gas Lift Stool w/ arms
24" W X 20" L X 46" H
71048 (gray, adjustable)
also available
71047 w/o arms

- S) 810839 Rustique Barstool (gunmetal) 13" L 13" D 30" H

Conference Tables

A.



B.



42" Round Conference Table
42" RND 29" H
A) 820708 (white laminate)
B) 820260 (Madison/gray acajou)

D.



C.



MADISON

(Madison/gray acajou)

C) 820261 5' Table

60" L 48" D 29" H

D) 820262 8' Table

96" L 60" D 29" H

E) 820263 10' Table

120" L 48" D 29" H

E.



Styles & Shapes

A. | B.



C.



D.

E.



F.



I.



G.



H.



Atomic Round Tables

- (glass, chrome)
- A) 8201225** 42" RND 30"H
- B) 8201224** 36" RND 30"H

Geo Rounded Square Tables

- 42"L 42"D 29"H
- C) 82044** (glass, chrome)
- D) 82043** (glass, black)

Geo Rectangular Tables

- 60"L 36"D 29"H
- E) 82041** (glass, black)
- F) 82051** (glass, chrome)

G) 820707 Merlin

- Multi Use Table**
- (gray laminate, black)
- 46"L 29"D 30"H

H) 820706 Work Table

- (white laminate, white)
- 48"L 24"D 30"H

I) 820203

6' Conference Tables

- (graphite nebula)
- 72"L 42"D 29"H

Mix & Match

- J) 810946 Pro Executive High Back Chair** (black vinyl) 25"L 24"D 48"H Adjustable
- K) 810945 Pro Executive Mid Back Chair** (white vinyl) 24"L 22"D 40"H Adjustable



Executive Seating

Pro Executive High Back Chair

25"L 24"D 48"H
A) 810844 (white vinyl)
B) 810946 (black vinyl)
 Adjustable height



Task Stool

810135
 (black fabric)
 27.5"L 27.5"D
 Adjustable height



Pro Executive Guest Chair

24"L 22"D 36"H
810947 (black vinyl)



Gas Lift Chair

26" X 20" L X 38" H
A) 71045 (gray, adjustable)
71046 w/ arms

Gas Lift Stool

24"W X 20"L X 46"H
B) 71048 (gray, adjustable)
71047 w/o arms




Pro Executive Mid Back Chair

24"L 22"D 40"H
A) 810945 (white vinyl)
B) 810944 (black vinyl)
 Adjustable height



Communal and Powered Tables

Choose from a variety of Powered, Solid or Grommet Hole Table Tops.

Denotes AC and USB charging outlets 



POWERED
DETAIL



BLACK WHITE MAPLE

Table Top Options

Colors not available in all table options. Please check options listed to the right.

Bar Tables



A. 

810860
Laguna Barstool
(maple, chrome)
18"L 20"D 47"H



B.



C.

Ventura Powered Bar Tables

(silver frame)
72.25"L 26.25"D 42"H

A) 820950 (black top)
820955 (white top)

Ventura Communal Bar Tables

(silver frame)
72.25"L 26.25"D 42"H

Maple Top
B) 820954 (solid)
820951 (grommets)

White Top
C) 820953 (grommets)
820956 (solid)

Black Top
820952 (solid)

Café Tables



A. 



C.



D.



B.



E.

Ventura Powered Café Tables

(silver frame)
72.25"L 26.25"D 30"H

A) 820964 (black top)
B) 820965 (white top)

Ventura Communal Café Tables

(silver frame)
72.25"L 26.25"D 30"H

Maple Top
C) 820963 (solid)
820960 (grommets)

White Top
D) 820961 (grommets)
820966 (solid)

Black Top
E) 820962 (solid)

Office Essentials

MADISON

A) 84075 Madison Executive Desk

(gray acajou) 60"L 30"D 29"H

B) 84077 Madison Credenza

(gray acajou) 60"L 20"D 29"H

C) 810135 Task Stool

(black fabric)

27.5"L 27.5"D 32.75"-40.25"H Adjustable

D) 810844 Pro Executive High Back Chair

(white classic vinyl)

25"L 24"D 48"H Adjustable



A.

DESK FRONT

DESK BACK

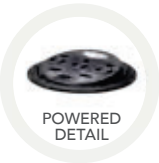



B.

CREDENZA FRONT

CREDENZA BACK

Tech Powered Desk



Denotes AC and USB charging outlets 

A) 84083 Tech Desk, Powered, w/3 Drawer File Cabinet
(black metal, laminate)
60"L 30"D 30"H

B) 84084 Tech Desk, Powered
(black metal, laminate)
60"L 30"D 30"H

C) 84080 3 Drawer File Cabinet on Castors
(black metal, laminate)
16"L 20"D 28"H

Lighting & Shelving



ACCENT LAMPS

Mason Lamps
(brushed silver)
A) 850708 Floor Lamp
18" RND 55"H
B) 850707 Table Lamp
16" RND 26"H

SHELVING

C) 85020 Posh Shelving
(chrome, acrylic)
36"L 18"D 72"H
D) 84078 Madison Bookcase
(gray acajou)
36"L 12"D 72"H

Show Essentials

Denotes AC and USB charging outlets



Midtown Powered Counter

Metallic pewter gray curved counter with taupe-colored glass top features two AC & three USB charging outlets, locking storage cabinet and two shelves.

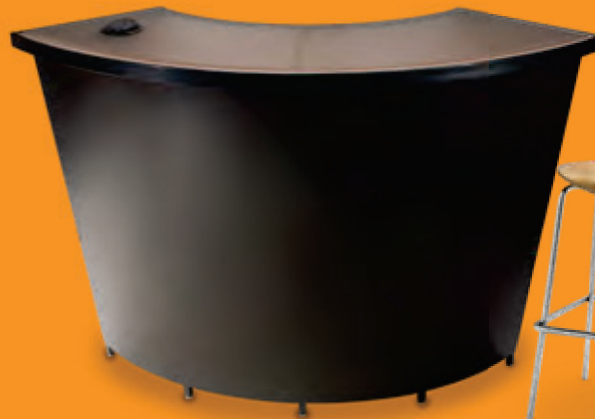
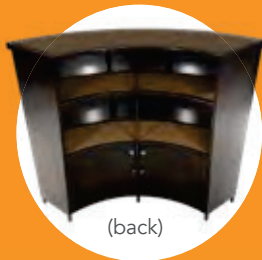


Midtown Powered Counter

60"L 18"D 42"H (pewter/glass)

850103 (unlighted)

850102 (lighted with plug-in)



7ft 85030
7' Boxwood Hedge
36.5"L 12"D 84"H

810860
Laguna Barstool
(maple, chrome)
18"L 20"D 47"H

Display Counter

A) 72056

Display Counter

(black)

24"W X 49"L X 42"H

B) 210109

limerick Stool

BY HERMAN MILLER™

(white)

18" X 17.75"L X 44"H

B.



A.



Midtown Bar

Metallic pewter gray curved bar with taupe-colored glass top features locking cabinet for storage and two shelves.



Midtown Bar
60"L 18"D 42"H
(pewter)

A) 850101

(unlighted)

B) 850100

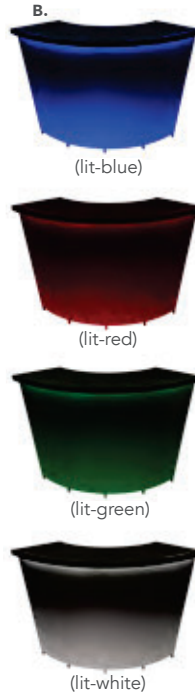
(lighted with plug-in)

Apex Barstool

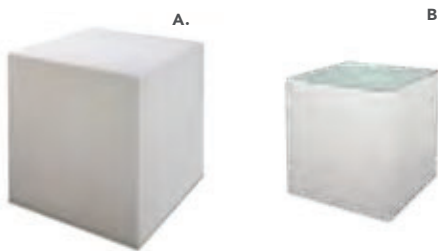
C) 810952

(blue ultra suede)

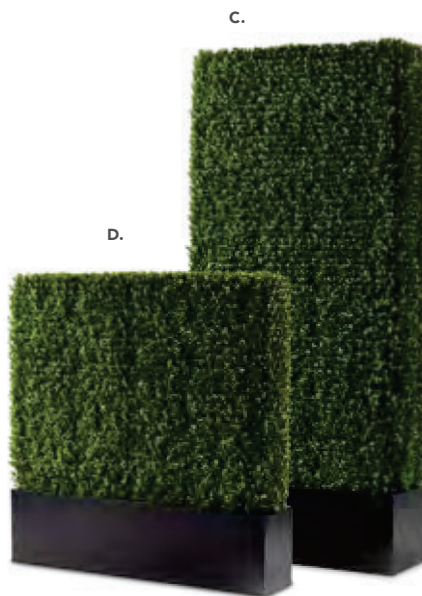
21"L 21"D 33"H



Lighted & Greenery Products



LED light available in white, red, green, blue and rolling color.



A) 81526 Edge LED Cube Ottoman
(white plastic)

20"L 20"D 20"H

A/C power only

B) 820857 Edge LED Cube Table

(plexi top, white plastic)

20"L 20"D 20"H

A/C power only

C) 7 ft 85030

7' Boxwood Hedge

36.5"L 12"D 84"H

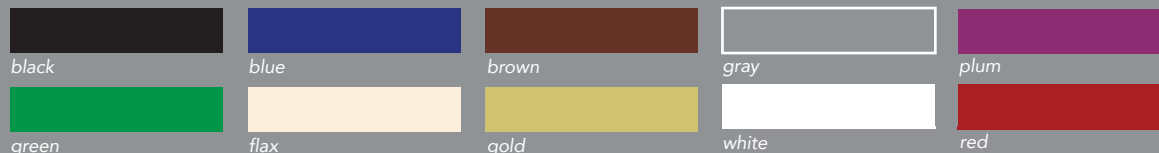
D) 4 ft 85035

4' Boxwood Hedge

46"L 9"D 47"H

Draped or Undraped Tables & Counters

Table-top Colors



Special Draping: Special drape is available in a variety of colors. Refer to the order form for details. Table-top risers are available in a variety of sizes. See order form for details.

Visit us at freeman.com for ordering and full product line



Sizing Chart*

*Table and counter widths are available in select cities

24"D X 30"H | Tables Draped

124330	Tables Draped	3'L x 24"D x 30"H
124430	Tables Draped	4'L x 24"D x 30"H
124630	Tables Draped	6'L x 24"D x 30"H
124830	Tables Draped	8'L x 24"D x 30"H

24"D X 30"H | Tables Undraped

125330	Tables Undraped	3'L x 24"D x 30"H
125430	Tables Undraped	4'L x 24"D x 30"H
125630	Tables Undraped	6'L x 24"D x 30"H
125830	Tables Undraped	8'L x 24"D x 30"H

30"D X 30"H | Tables Draped

130330	Tables Draped	3'L x 30"D x 30"H
130430	Tables Draped	4'L x 30"D x 30"H
130630	Tables Draped	6'L x 30"D x 30"H
130830	Tables Draped	8'L x 30"D x 30"H

30"D X 30"H | Tables Undraped

131330	Tables Undraped	3'L x 30"D x 30"H
131430	Tables Undraped	4'L x 30"D x 30"H
131630	Tables Undraped	6'L x 30"D x 30"H
131830	Tables Undraped	8'L x 30"D x 30"H

24"D X 42"H | Counter Draped

124342	Counter Draped	3'L x 24"D x 42"H
124442	Counter Draped	4'L x 24"D x 42"H
124642	Counter Draped	6'L x 24"D x 42"H
124842	Counter Draped	8'L x 24"D x 42"H

24"D X 42"H | Counter Undraped

125342	Counter Undraped	3'L x 24"D x 42"H
125442	Counter Undraped	4'L x 24"D x 42"H
125642	Counter Undraped	6'L x 24"D x 42"H
125842	Counter Undraped	8'L x 24"D x 42"H

30"D X 42"H | Counter Draped

130342	Counter Draped	3'L x 30"D x 42"H
130442	Counter Draped	4'L x 30"D x 42"H
130642	Counter Draped	6'L x 30"D x 42"H
130842	Counter Draped	8'L x 30"D x 42"H

30"D X 42"H | Counter Undraped

131342	Counter Undraped	3'L x 30"D x 42"H
131442	Counter Undraped	4'L x 30"D x 42"H
131642	Counter Undraped	6'L x 30"D x 42"H
131842	Counter Undraped	8'L x 30"D x 42"H

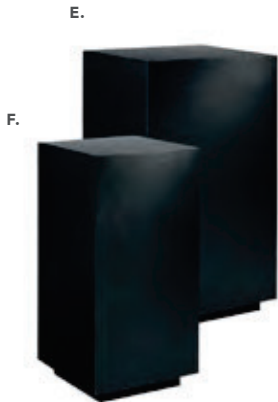
4th Side | Table Draped 30"

12404630	Drape Table 4th Side	6' X 30"
12404830	Drape Table 4th Side	8' X 30"

4th Side | Table Draped 42"

12404642	Drape Table 4th Side	6' X 42"
12404842	Drape Table 4th Side	8' X 42"

Product Display



A) 72056
Display Counter
 (black)
 24"W X 49"L X 42"H

B) 75079
Orion Computer Kiosk
 (black)
 28"L X 28"D X 40.5"H
 (computer not included)

C) 810840
Zoey Barstools
 (white, chrome)
 15"L 16"D 30-34.75"H

D) 75032
Diplay Cube - Large
 (black)
 24"W X 24"L X 42"H

E) 75031
Diplay Cube - Medium
 (black)
 18"W X 18"L X 36"H

F) 75030
Diplay Cube - Small
 (black)
 12"W X 12"L X 42"H

G) 75022
Diplay Cylinder - High
 (black)
 24"W X 24"L X 36"H

H) 75021
Diplay Cylinder - Medium
 (black)
 18"W X 18"L X 20"H

I) 75020
Diplay Cylinder - Low
 (black)
 30"W X 12"L X 15"H
 available in rectangle sizes

J) 810947
Pro Executive Guest Chair
 (black vinyl)
 24"L 22"D 36"H

Product Storage



RACKS

A) 750135
Round Literature Rack
(black)
17"W X 17"L X 57"H

B) 750136
Flat Literature Rack
(black)
10"W X 55"H

CABINETS

C) 84080
3 Drawer File Cabinet
on Castors
(black metal, laminate)
16"L 20"D 28"H

D) 74082
2 Drawer File Cabinet
w/Lock
(tan metal)
15"W X 29"L X 28"H

E) 74081
4 Drawer File Cabinet
w/Lock
(tan metal)
15"W X 29"L X 50"H

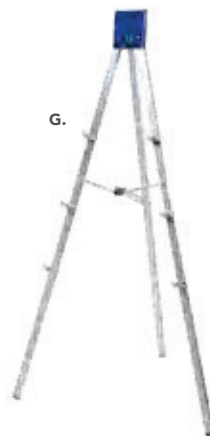
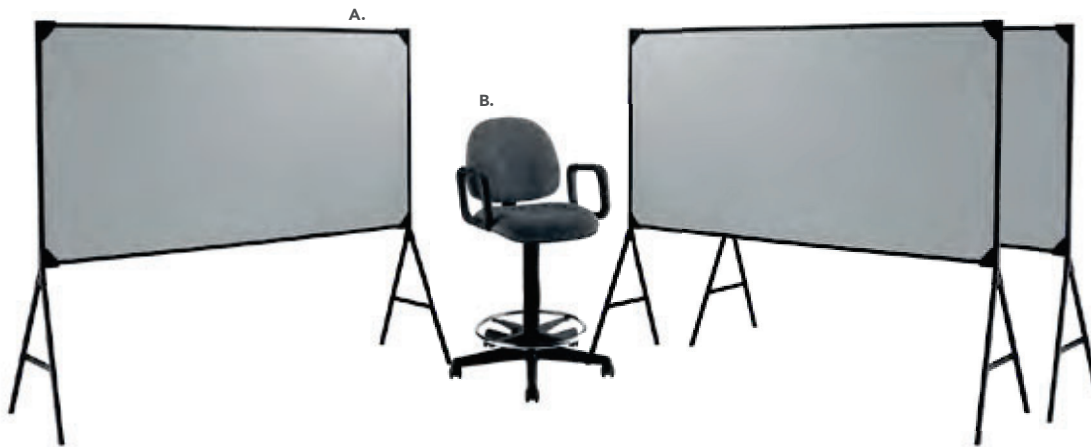


REFRIGERATORS

F) 8503001
Large Refrigerator
(white) 14.0 cubic feet
28"W X 28"L X 64"H

G) 8983000
Small Refrigerator
(brown) 4.0 cu feet
20"W X 22"L X 33"H

Show & Office Accessories



A) 10201484
Floor Standing
Bulletin Board
 (black)
 48"W X 96"L X 78"H

B) 71048
Gas Lift Stool w/ arms
 (gray, adjustable)
 24"W X 20"L X 46"H
 also available
71047 w/o arms

C) 220121
Chrome Stanchion
w/ 8' Retractable Belt
 (black, belt) 42"H

D) 220110
Chrome Bag Rack
 (3" at center)
 1"W X 41"H X 26"W

E) 220109
Chrome Coat Tree
 (21"w at the base)
 8 1/4"W X 69 1/2"H

F) 220118
Chrome Sign Holder
 (sign holds)
 22"W X 28"H

G) 220143
Brushed Aluminum Easel
 (open 5 1/4"W X 64 1/4"H)
 26"W X 62"H

H) 220106
Corrugated Wastebasket
 (black)



Nationwide Service

24 hours a day, 7 days a week, 365 days a year. Visit us at freeman.com or call 1.888.508.5058 for customer service.

FREEMAN® Trade Show Furnishings is proud to offer this collection of the highest quality, design-oriented furnishings. Our nationwide distribution and professional staff is dedicated to the success of your exhibit. Make FREEMAN® Trade Show Furnishings your furniture solution.

FREEMAN

1701 Lebanon Pike Circle
Nashville, TN 37210
(615) 884-5785 Fax: (469) 621-5615

**ONLINE PRICE
DISCOUNT PRICE
DEADLINE DATE**

FEBRUARY 24, 2020

**INCLUDE THE FREEMAN METHOD OF
PAYMENT FORM WITH YOUR ORDER**

NAME OF SHOW: **WEF ODORS & STORMWATER 2020 CONFERENCE / MARCH 15 - 18, 2020**

COMPANY NAME: _____ BOOTH #: _____ BOOTH SIZE: _____ X

CONTACT NAME : _____ PHONE #: _____

E-MAIL ADDRESS : _____

For Assistance, please call (615) 884-5785 to speak with one of our experts.

For fast, easy ordering, go to www.freeman.com

Qty	Part #	Description	Online Price	Discount Price	Standard Price	Total
SOFT SEATING						
Naples Group - Black Vinyl						
	810119*	Chair.....	436.00	479.60	610.40	_____
	830120*	Loveseat.....	586.00	644.60	820.40	_____
	830119*	Sofa.....	650.00	715.00	910.00	_____
Munich Group - Gray Fabric						
	810150*	Corner Chair.....	532.00	585.20	744.80	_____
	810151*	Armless Chair.....	466.00	512.60	652.40	_____
	830200*	Armless Loveseat.....	780.00	858.00	1,092.00	_____
	830201*	Sectional - 3 Piece.....	1,776.00	1,953.60	2,486.40	_____
Baja Group - White Vinyl						
	81050*	Chair.....	500.00	550.00	700.00	_____
	83020*	Loveseat.....	550.00	605.00	770.00	_____
	83019*	Sofa.....	768.00	844.80	1,075.20	_____
South Beach Group - Platinum Suede						
	8301*	Sofa.....	568.00	624.80	795.20	_____
	8151*	Ottoman.....	250.00	275.00	350.00	_____
Key Largo Group - Black Fabric						
	830950*	Loveseat.....	454.00	499.40	635.60	_____
	830951*	Sofa.....	502.00	552.20	702.80	_____
	810950*	Chair.....	358.00	393.80	501.20	_____
Allegro Group - Blue Fabric						
	81019*	Chair.....	450.00	495.00	630.00	_____
	83015*	Sofa.....	718.00	789.80	1,005.20	_____
Fairfax Group - White Vinyl						
	810949*	Chair.....	302.00	332.20	422.80	_____
	830949*	Sofa.....	482.00	530.20	674.80	_____
Hopi Group - Gray Linen						
	810140*	Chair.....	200.00	220.00	280.00	_____
	830150*	Loveseat.....	256.00	281.60	358.40	_____
Tangiers Group - Beige Fabric						
	810118*	Chair.....	388.00	426.80	543.20	_____
	830220*	Loveseat.....	656.00	721.60	918.40	_____
	830118*	Sofa.....	542.00	596.20	758.80	_____
CASUAL SEATING						
Ottomans						
	815122*	Endless Square - White Vinyl.....	280.00	308.00	392.00	_____
	815123*	Endless Square - Black Vinyl.....	280.00	308.00	392.00	_____
	815953*	Endless Curve - White Vinyl.....	374.00	411.40	523.60	_____
	815952*	Endless Curve - Black Vinyl.....	374.00	411.40	523.60	_____
	815119*	Half-Bench - White Vinyl.....	318.00	349.80	445.20	_____
	81518*	Vibe Cube - Blue Vinyl.....	128.00	140.80	179.20	_____
	81519*	Vibe Cube - Red Vinyl.....	128.00	140.80	179.20	_____

FREEMAN furnishings

Take advantage of the Online price
by ordering at www.freeman.com before
FEBRUARY 24, 2020

NAME OF SHOW: **WEF ODORS & STORMWATER 2020 CONFERENCE / MARCH 15 - 18, 2020**

COMPANY NAME: _____ BOOTH #: _____ BOOTH SIZE: X

CONTACT NAME : _____ PHONE #: _____

E-MAIL ADDRESS : _____

For Assistance, please call (615) 884-5785 to speak with one of our experts.

For fast, easy ordering, go to www.freeman.com

Qty	Part #	Description	Online Price	Discount Price	Standard Price	Total
CASUAL SEATING (cont'd)						
_____	81525*	Vibe Cube - Orange Vinyl.....	128.00	140.80	179.20	_____
_____	81520*	Vibe Cube - Pink Vinyl.....	128.00	140.80	179.20	_____
_____	81517*	Vibe Cube - Yellow Vinyl.....	128.00	140.80	179.20	_____
_____	81530*	Vibe Cube - Black Vinyl.....	112.00	123.20	156.80	_____
_____	81531*	Vibe Cube - White Vinyl.....	112.00	123.20	156.80	_____
_____	81532*	Vibe Cube - Steel Blue Vinyl.....	128.00	140.80	179.20	_____
_____	81533*	Vibe Cube - Silver Vinyl.....	128.00	140.80	179.20	_____
_____	81534*	Vibe Cube - Purple Vinyl.....	128.00	140.80	179.20	_____
_____	815151*	Marche Swivel - Gray Fabric.....	198.00	217.80	277.20	_____
_____	815154*	Marche Swivel - Red Fabric.....	198.00	217.80	277.20	_____
_____	815159*	Marche Swivel - Blue Fabric.....	198.00	217.80	277.20	_____
_____	815152*	Marche Swivel - Linen Fabric.....	198.00	217.80	277.20	_____
_____	815157*	Marche Swivel - Meadow Green Fabric.....	198.00	217.80	277.20	_____
_____	815158*	Marche Swivel - Pear Yellow Fabric.....	198.00	217.80	277.20	_____
_____	815156*	Marche Swivel - Plum Fabric.....	198.00	217.80	277.20	_____
_____	815153*	Marche Swivel - Raspberry Fabric.....	198.00	217.80	277.20	_____
_____	815155*	Marche Swivel - Rose Quartz Fabric.....	198.00	217.80	277.20	_____
_____	815150*	Marche Swivel - White Vinyl.....	198.00	217.80	277.20	_____
_____	815160*	Marche Swivel - Orange Fabric.....	208.00	228.80	291.20	_____
_____	81526*	Edge LED Cube - High Density Plastic.....	182.00	200.20	254.80	_____
Banquettes						
_____	8506*	Center Cone w/Electrical Charging Outlet.....	536.00	589.60	750.40	_____
_____	8507*	Quarter Curve Ottoman.....	354.00	389.40	495.60	_____
Beverly Bench Ottomans						
_____	81550*	Black Vinyl.....	396.00	435.60	554.40	_____
_____	81551*	Brown Fabric.....	396.00	435.60	554.40	_____
_____	81552*	Gray Fabric.....	396.00	435.60	554.40	_____
_____	81553*	Linen Fabric.....	396.00	435.60	554.40	_____
_____	81554*	Ocean Blue Fabric.....	396.00	435.60	554.40	_____
_____	81555*	Red Fabric.....	396.00	435.60	554.40	_____
_____	81556*	White Vinyl.....	396.00	435.60	554.40	_____
Accent Chairs						
_____	71089	Black Diamond Side Chair.....	154.30	169.75	216.00	_____
_____	71090	Black Diamond Arm Chair.....	195.20	214.70	273.30	_____
_____	810861*	Laguna Chair - Maple/Chrome.....	122.00	134.20	170.80	_____
_____	210108	Limerick® Chair by Herman Miller.....	110.00	121.00	154.00	_____
_____	8102*	Madrid Chair - Black Vinyl/Chrome.....	710.00	781.00	994.00	_____
_____	810816*	Madrid Chair - White Vinyl/Chrome.....	710.00	781.00	994.00	_____
_____	810948*	Meeting Chair - White Vinyl.....	248.00	272.80	347.20	_____
_____	810835*	Meeting Chair - Espresso Vinyl.....	192.00	211.20	268.80	_____
_____	810836*	Meeting Chair - Taupe Microfiber.....	252.00	277.20	352.80	_____
_____	8103*	Key West Tub Chair - Black Fabric.....	356.00	391.60	498.40	_____
_____	810164*	Marina Chair - White Vinyl.....	134.00	147.40	187.60	_____
_____	810160*	Marina Chair - Black Vinyl.....	134.00	147.40	187.60	_____
_____	810161*	Marina Chair - Brown Fabric.....	134.00	147.40	187.60	_____
_____	810162*	Marina Chair - Ocean Blue Fabric.....	134.00	147.40	187.60	_____
_____	810163*	Marina Chair - Red Fabric.....	134.00	147.40	187.60	_____

FREEMAN furnishings

Take advantage of the Online price
by ordering at www.freeman.com before
FEBRUARY 24, 2020

COMPANY NAME: _____ BOOTH #: _____ BOOTH SIZE: X

CONTACT NAME : _____ PHONE #: _____

E-MAIL ADDRESS : _____

For Assistance, please call (615) 884-5785 to speak with one of our experts.

For fast, easy ordering, go to www.freeman.com

Qty	Part #	Description	Online Price	Discount Price	Standard Price	Total
Occasional Chairs (cont.)						
	810131*	Malba Chair - Gray Molded Plastic.....	88.00	96.80	123.20	
	810130*	Malba Chair - Green Molded Plastic.....	86.00	94.60	120.40	
	810846*	Christopher Chair - White Vinyl/Chrome.....	106.00	116.60	148.40	
	810851*	Zenith Chair - White/Chrome.....	138.00	151.80	193.20	
	810841*	Rustique Chair - Gunmetal.....	110.00	121.00	154.00	
	810837*	Razor Armless Chair - White High Density Plastic....	52.00	57.20	72.80	
	810875*	Swanson Swivel Chair - White Vinyl.....	238.00	261.80	333.20	
	81083*	Blade Chair - Sky Blue.....	74.00	81.40	103.60	
	81082*	Blade Chair - Red.....	74.00	81.40	103.60	
	810810*	Berlin Stack Chair - White & Black Plastic/Chrome...	98.00	107.80	137.20	
	81093*	Lucent Chair - Frosted Acrylic.....	186.00	204.60	260.40	
	810145*	Wentworth Chair - Brown Vinyl.....	238.00	261.80	333.20	
Executive Seating						
	71046	Gray Gaslift Chair With Arms.....	300.65	330.70	420.90	
	71045	Gray Gaslift Chair Without Arms.....	283.15	311.45	396.40	
	810874*	La Brea Swivel Chair - Charcoal Gray Fabric.....	280.00	308.00	392.00	
	81063*	Altura Conference/Guest Chair - Black Fabric/Black Steel.....	284.00	312.40	397.60	
	810844*	Pro Executive High Back Chair - White Vinyl.....	248.00	272.80	347.20	
	810946*	Pro Executive High Back Chair - Black Vinyl.....	248.00	272.80	347.20	
	810945*	Pro Executive Mid Back Chair - White Vinyl.....	308.00	338.80	431.20	
	810944*	Pro Executive Mid Back Chair - Black Vinyl.....	308.00	338.80	431.20	
	810947*	Pro Executive Guest Chair - Black Vinyl.....	322.00	354.20	450.80	
Barstools						
	71088	Black Diamond Stool.....	246.10	270.70	344.55	
	71048	Gray Gaslift Stool with Arms.....	413.60	454.95	579.05	
	71047	Gray Gaslift Stool without Arms.....	363.45	399.80	508.85	
	810860*	Laguna Barstool - Maple/Chrome.....	154.00	169.40	215.60	
	210109	Limerick® Stool by Herman Miller.....	154.20	169.60	215.90	
	810872*	Lift Barstool - Gray Vinyl/Chrome.....	144.00	158.40	201.60	
	810873*	Lift Barstool - Red Vinyl/Chrome.....	144.00	158.40	201.60	
	810871*	Lift Barstool - Black Vinyl/Chrome.....	144.00	158.40	201.60	
	810870*	Lift Barstool - White Vinyl/Chrome.....	144.00	158.40	201.60	
	810951*	Apex Barstool - Black Vinyl.....	180.00	198.00	252.00	
	810952*	Apex Barstool - Blue Ultra Suede.....	180.00	198.00	252.00	
	810953*	Apex Barstool - Red Vinyl.....	180.00	198.00	252.00	
	810954*	Apex Barstool - White Vinyl.....	180.00	198.00	252.00	
	810103*	Banana Barstool - White Vinyl/Chrome.....	168.00	184.80	235.20	
	810104*	Banana Barstool - Black Vinyl/Chrome.....	168.00	184.80	235.20	
	810850*	Zenith Barstool - White/Chrome.....	138.00	151.80	193.20	
	810840*	Zoey Barstool - White Vinyl/Chrome.....	270.00	297.00	378.00	
	810834*	Zoey Barstool - Black Vinyl/Chrome.....	270.00	297.00	378.00	
	810848*	Christopher Barstool - White Vinyl/Chrome.....	184.00	202.40	257.60	
	810202*	Shark Swivel Barstool - White Plastic/Chrome.....	300.00	330.00	420.00	
	810839*	Rustique Barstool - Gunmetal.....	110.00	121.00	154.00	
	810201*	Oslo Barstool - White Plastic/Chrome.....	214.00	235.40	299.60	
	81080*	Blade Barstool - Red.....	148.00	162.80	207.20	
	81081*	Blade Barstool - Sky Blue.....	148.00	162.80	207.20	
	81092*	Lucent Barstool - Frosted Acrylic.....	198.00	217.80	277.20	
	810135*	Task Stool - Black Fabric.....	164.00	180.40	229.60	

NAME OF SHOW: **WEF ODORS & STORMWATER 2020 CONFERENCE / MARCH 15 - 18, 2020**

COMPANY NAME: _____ BOOTH #: _____ BOOTH SIZE: **X**

CONTACT NAME : _____ PHONE #: _____

E-MAIL ADDRESS : _____

For Assistance, please call (615) 884-5785 to speak with one of our experts.

For fast, easy ordering, go to www.freeman.com

Qty	Part #	Description	Online Price	Discount Price	Standard Price	Total
-----	--------	-------------	--------------	----------------	----------------	-------

Draped Tables & Counters

Draped Tables - Tables are 24" wide					
<input type="checkbox"/> Black	<input type="checkbox"/> Blue	<input type="checkbox"/> Brown	<input type="checkbox"/> Green	<input type="checkbox"/> Flax	
<input type="checkbox"/> Gold	<input type="checkbox"/> Gray	<input type="checkbox"/> Plum	<input type="checkbox"/> Red	<input type="checkbox"/> White	

_____	124330	Draped Table 3'L x 30"H.....	111.05	122.15	155.45	_____
_____	124430	Draped Table 4'L x 30"H.....	142.60	156.85	199.65	_____
_____	124630	Draped Table 6'L x 30"H.....	183.10	201.40	256.35	_____
_____	124830	Draped Table 8'L x 30"H.....	221.70	243.85	310.40	_____
_____	12404630	4th Side Drape 6'L x 30"H.....	45.40	49.95	63.55	_____
_____	12404830	4th Side Drape 8'L x 30"H.....	45.40	49.95	63.55	_____
_____	124342	Draped Counter 3'L x 42"H.....	150.75	165.85	211.05	_____
_____	124442	Draped Counter 4'L x 42"H.....	178.25	196.10	249.55	_____
_____	124642	Draped Counter 6'L x 42"H.....	220.25	242.30	308.35	_____
_____	124842	Draped Counter 8'L x 42"H.....	255.15	280.65	357.20	_____
_____	12404642	4th Side Drape 6'L x 42"H.....	60.40	66.45	84.55	_____
_____	12404842	4th Side Drape 8'L x 42"H.....	60.40	66.45	84.55	_____

Undraped Tables & Counters

_____	125330	Undraped Table 3'L x 30"H.....	41.50	45.65	58.10	_____
_____	125430	Undraped Table 4'L x 30"H.....	48.00	52.80	67.20	_____
_____	125630	Undraped Table 6'L x 30"H.....	63.75	70.15	89.25	_____
_____	125830	Undraped Table 8'L x 30"H.....	75.60	83.15	105.85	_____
_____	125342	Undraped Counter 3'L x 42"H.....	75.60	83.15	105.85	_____
_____	125442	Undraped Counter 4'L x 42"H.....	81.50	89.65	114.10	_____
_____	125642	Undraped Counter 6'L x 42"H.....	96.20	105.80	134.70	_____
_____	125842	Undraped Counter 8'L x 42"H.....	109.05	119.95	152.65	_____

Table Top Risers - Risers are 8" wide

_____	1504100	Black 4'L x 7"H Corrugated Riser.....	32.25	35.50	45.15	_____
_____	1504101	White 4'L x 7"H Corrugated Riser.....	32.25	35.50	45.15	_____
_____	1506100	Black 6'L x 7"H Corrugated Riser.....	37.75	41.55	52.85	_____
_____	1506101	White 6'L x 7"H Corrugated Riser.....	37.75	41.55	52.85	_____
_____	1508100	Black 8'L x 7"H Corrugated Riser.....	43.60	47.95	61.05	_____
_____	1508101	White 8'L x 7"H Corrugated Riser.....	43.60	47.95	61.05	_____
_____	1504200	Black 4'L x 14"H Corrugated Riser.....	49.35	54.30	69.10	_____
_____	1504201	White 4'L x 14"H Corrugated Riser.....	49.35	54.30	69.10	_____
_____	1506200	Black 6'L x 14"H Corrugated Riser.....	60.40	66.45	84.55	_____
_____	1506201	White 6'L x 14"H Corrugated Riser.....	60.40	66.45	84.55	_____
_____	1508200	Black 8'L x 14"H Corrugated Riser.....	71.40	78.55	99.95	_____
_____	1508201	White 8'L x 14"H Corrugated Riser.....	71.40	78.55	99.95	_____

Pedestal Tables - Soho Series

_____	72069	Black Top Cafe Table - 30"H x 24"W.....	226.60	249.25	317.25	_____
_____	72067	Black Top Cafe Table - 30"H x 36"W.....	232.95	256.25	326.15	_____
_____	72066	Black Top Mini Table - 18"H x 18"W.....	124.05	136.45	173.65	_____
_____	72070	Black Top Bistro Table - 42"H x 24"W.....	247.40	272.15	346.35	_____
_____	72068	Black Top Bistro Table - 42"H x 36"W.....	254.25	279.70	355.95	_____

Pedestal Tables - Chelsea Series

_____	72063	Butcher Block Top Cafe Table - 30"H x 30"W.....	232.95	256.25	326.15	_____
_____	72064	Butcher Block Top Cafe Table - 30"H x 36"W.....	232.95	256.25	326.15	_____

FREEMAN furnishings

Take advantage of the Online price
by ordering at www.freeman.com before
FEBRUARY 24, 2020

NAME OF SHOW: **WEF ODORS & STORMWATER 2020 CONFERENCE / MARCH 15 - 18, 2020**

COMPANY NAME: _____ BOOTH #: _____ BOOTH SIZE: X

CONTACT NAME : _____ PHONE #: _____

E-MAIL ADDRESS : _____

For Assistance, please call (615) 884-5785 to speak with one of our experts.

For fast, easy ordering, go to www.freeman.com

Qty	Part #	Description	Online Price	Discount Price	Standard Price	Total
Pedestal Tables - Chelsea Series (continued)						
	720163	Butcher Block Top Bistro Table - 42"H x 30"W.....	254.25	279.70	355.95	
	720164	Butcher Block Top Bistro Table - 42"H x 36"W.....	254.25	279.70	355.95	
Pedestal Tables						
	8201208*	Hydraulic Base Cafe Table - Maple.....	308.00	338.80	431.20	
	8201207*	Hydraulic Base Bar Table - Maple.....	320.00	352.00	448.00	
	8201209*	Hydraulic Base Cafe Table - Graphite.....	342.00	376.20	478.80	
	8201211*	Hydraulic Base Bar Table - Graphite.....	352.00	387.20	492.80	
	8201206*	Hydraulic Base Cafe Table - Maple.....	350.00	385.00	490.00	
	8201205*	Hydraulic Base Bar Table - Maple.....	348.00	382.80	487.20	
	820126*	Hydraulic Base Cafe Table - White Laminate.....	350.00	385.00	490.00	
	820125*	Hydraulic Base Bar Table - White Laminate.....	366.00	402.60	512.40	
	820241*	Madison Hydraulic Base Cafe Table - Gray Acajou.	274.00	301.40	383.60	
	820240*	Madison Hydraulic Base Bar Table - Gray Acajou...	274.00	301.40	383.60	
	820265*	Madison Cafe Table - Gray Acajou.....	216.00	237.60	302.40	
	820264*	Madison Bar Table - Gray Acajou.....	236.00	259.60	330.40	
	8201220*	30" Cafe Table Black Base - White Laminate.....	230.00	253.00	322.00	
	8201221*	30" Bar Table Black Base - White Laminate.....	246.00	270.60	344.40	
	8201222*	30" Bar Table Chrome Base - White Laminate.....	354.00	389.40	495.60	
	8201223*	30" Cafe Table Chrome Base - White Laminate.....	354.00	389.40	495.60	
	820920*	30" Bar Table Chrome Hydraulic Base - Red.....	274.00	301.40	383.60	
	820921*	30" Cafe Table Chrome Hydraulic Base - Red.....	274.00	301.40	383.60	
	820922*	30" Bar Table Chrome Hydraulic Base - Graphite.....	274.00	301.40	383.60	
	820923*	30" Cafe Table Chrome Hydraulic Base - Graphite....	274.00	301.40	383.60	
	820924*	30" Bar Table Chrome Hydraulic Base - Silver.....	334.00	367.40	467.60	
	820925*	30" Cafe Table Chrome Hydraulic Base - Silver.....	334.00	367.40	467.60	
	820930*	30" Bar Table w/ Hydraulic Base - Blue.....	274.00	301.40	383.60	
	820931*	30" Bar Table w/ Black Base - Blue.....	218.00	239.80	305.20	
	820932*	30" Bar Table w/ Hydraulic Base - Wood.....	334.00	367.40	467.60	
	820933*	30" Bar Table w/ Black Base - Wood.....	232.00	255.20	324.80	
	820940*	30" Cafe Table w/ Hydraulic Base - Blue.....	274.00	301.40	383.60	
	820941*	30" Cafe Table w/ Black Base - Blue.....	196.00	215.60	274.40	
	820942*	30" Cafe Table w/ Hydraulic Base - Wood.....	334.00	367.40	467.60	
	820943*	30" Cafe Table w/ Black Base - Wood.....	212.00	233.20	296.80	
Accent Tables						
	82015*	Silverado End Table - Tempered Glass/Painted Steel.....	230.00	253.00	322.00	
	82014*	Silverado Cocktail Table - Tempered Glass/Painted Steel.....	244.00	268.40	341.60	
	820252*	Alondra End Table - Glass/Chrome.....	200.00	220.00	280.00	
	820250*	Alondra Cocktail Table - Glass/Chrome.....	278.00	305.80	389.20	
	820253*	Alondra End Table - Wood/Chrome.....	200.00	220.00	280.00	
	820251*	Alondra Cocktail Table - Wood/Chrome.....	278.00	305.80	389.20	
	8201224*	Atomic 36" Round Table - Glass/Chrome.....	308.00	338.80	431.20	
	8201225*	Atomic 42" Round Table - Glass/Chrome.....	308.00	338.80	431.20	
	82028*	Geo End Table - Wood/Black Steel.....	236.00	259.60	330.40	
	82027*	Geo Cocktail Table - Wood/Black Steel.....	242.00	266.20	338.80	
	82035*	Geo End Table - Glass/Chrome.....	176.00	193.60	246.40	

FREEMAN furnishings

Take advantage of the Online price by ordering at www.freeman.com before FEBRUARY 24, 2020

NAME OF SHOW: **WEF ODORS & STORMWATER 2020 CONFERENCE / MARCH 15 - 18, 2020**

COMPANY NAME: _____ BOOTH #: _____ BOOTH SIZE: X

CONTACT NAME : _____ PHONE #: _____

E-MAIL ADDRESS : _____

For Assistance, please call (615) 884-5785 to speak with one of our experts.

For fast, easy ordering, go to www.freeman.com

Qty	Part #	Description	Online Price	Discount Price	Standard Price	Total
Accent Tables (continued)						
_____	82034*	Geo Cocktail Table - Glass/Chrome.....	194.00	213.40	271.60	_____
_____	82054*	Sydney End Table - Black Laminate/Brushed Steel..	214.00	235.40	299.60	_____
_____	82055*	Sydney End Table - White Laminate/Brushed Steel..	214.00	235.40	299.60	_____
_____	82052*	Sydney Cocktail Table - Black Laminate/Brushed Steel.....	258.00	283.80	361.20	_____
_____	82053*	Sydney Cocktail Table - White Laminate/Brushed Steel.....	258.00	283.80	361.20	_____
_____	82079*	Sydney End Table - Blue Laminate/Brushed Steel....	214.00	235.40	299.60	_____
_____	82080*	Sydney End Table - Wood Laminate/Brushed Steel..	214.00	235.40	299.60	_____
_____	82077*	Sydney Cocktail Table - Blue Laminate/Brushed Steel.....	258.00	283.80	361.20	_____
_____	82078*	Sydney Cocktail Table - Wood Laminate/Brushed Steel.....	258.00	283.80	361.20	_____
_____	82075*	Regis End Table - Brushed Metal.....	210.00	231.00	294.00	_____
_____	82074*	Regis Bench Table - Brushed Metal.....	296.00	325.60	414.40	_____
_____	820844*	Aura Round Table - White Metal.....	118.00	129.80	165.20	_____
_____	82057*	Edge LED Cube Table-White Plastic/Clear Acrylic....	182.00	200.20	254.80	_____
_____	82043*	Geo Square-Round Table - Glass/Black Steel.....	276.00	303.60	386.40	_____
_____	82044*	Geo Square-Round Table - Glass/Chrome.....	276.00	303.60	386.40	_____
_____	82088*	Oliver End Table - Walnut Finish.....	206.00	226.60	288.40	_____
_____	82087*	Oliver Table - Walnut Finish.....	232.00	255.20	324.80	_____
_____	8201226*	Rustique Square Metal Bar Table - Gray.....	272.00	299.20	380.80	_____
Conference Tables						
_____	82041*	Geo Conference Table - Glass/Black Steel.....	388.00	426.80	543.20	_____
_____	82051*	Geo Conference Table - Glass/Chrome.....	346.00	380.60	484.40	_____
_____	820260*	Madison Conference Table - Gray Acajou.....	370.00	407.00	518.00	_____
_____	820708*	42" Round Conference Table - White Laminate.....	364.00	400.40	509.60	_____
_____	820203*	6' Oval Conference Table - Graphite.....	490.00	539.00	686.00	_____
_____	820261*	Madison 5' Conference Table - Gray Acajou.....	448.00	492.80	627.20	_____
_____	820262*	Madison 8' Conference Table - Gray Acajou.....	894.00	983.40	1,251.60	_____
_____	820263*	Madison 10' Conference Table - Gray Acajou.....	894.00	983.40	1,251.60	_____
_____	820951*	Ventura Bar Table - Maple w/ Grommets.....	636.00	699.60	890.40	_____
_____	820952*	Ventura Communal Bar Table - Black.....	656.00	721.60	918.40	_____
_____	820953*	Ventura Bar Table - White w/ Grommets.....	636.00	699.60	890.40	_____
_____	820954*	Ventura Communal Bar Table - Maple.....	636.00	699.60	890.40	_____
_____	820956*	Ventura Communal Bar Table - White.....	636.00	699.60	890.40	_____
_____	820963*	Ventura Communal Cafe Table - Maple.....	454.00	499.40	635.60	_____
_____	820960*	Ventura Cafe Table - Maple w/ Grommets.....	636.00	699.60	890.40	_____
_____	820961*	Ventura Cafe Table - White w/ Grommets.....	636.00	699.60	890.40	_____
_____	820966*	Ventura Communal Cafe Table - White.....	454.00	499.40	635.60	_____
_____	820962*	Ventura Communal Cafe Table - Black.....	454.00	499.40	635.60	_____
Office						
_____	84075*	Madison Desk - Gray Acajou.....	526.00	578.60	736.40	_____
_____	84077*	Madison Credenza - Gray Acajou.....	438.00	481.80	613.20	_____
_____	84078*	Madison Bookcase - Gray Acajou.....	374.00	411.40	523.60	_____
Computer Desks/Tables						
_____	820706*	Work Desk - White Laminate.....	314.00	345.40	439.60	_____
_____	820707*	Merlin Table - Gray Laminate.....	326.00	358.60	456.40	_____

NAME OF SHOW: **WEF ODORS & STORMWATER 2020 CONFERENCE / MARCH 15 - 18, 2020**

COMPANY NAME: _____ BOOTH #: _____ BOOTH SIZE: X

CONTACT NAME : _____ PHONE #: _____

E-MAIL ADDRESS : _____

For Assistance, please call (615) 884-5785 to speak with one of our experts.

For fast, easy ordering, go to www.freeman.com

Qty	Part #	Description	Online Price	Discount Price	Standard Price	Total
-----	--------	-------------	--------------	----------------	----------------	-------

POWERED

Powered Seating

_____	810120*	Naples Chair, Powered - Black Vinyl.....	620.00	682.00	868.00	_____
_____	830122*	Naples Loveseat, Powered - Black Vinyl.....	832.00	915.20	1,164.80	_____
_____	830121*	Naples Sofa, Powered - Black Vinyl.....	958.00	1,053.80	1,341.20	_____
_____	81021*	Roma Chair, Powered - White Vinyl.....	620.00	682.00	868.00	_____
_____	83017*	Roma Sofa, Powered - White Vinyl.....	958.00	1,053.80	1,341.20	_____

Powered Tables

_____	820950*	Ventura Communal Bar Table, Powered - Black.....	812.00	893.20	1,136.80	_____
_____	820955*	Ventura Communal Bar Table, Powered - White.....	738.00	811.80	1,033.20	_____
_____	820964*	Ventura Communal Cafe Table, Powered - Black.....	564.00	620.40	789.60	_____
_____	820965*	Ventura Communal Cafe Table, Powered - White.....	564.00	620.40	789.60	_____
_____	84083*	Tech Desk w/ 3 Drawer File Cabinet, Powered - Black Metal.....	544.00	598.40	761.60	_____
_____	84084*	Tech Desk, Powered - Black Metal.....	478.00	525.80	669.20	_____
_____	82076*	Sydney Cocktail Table, Powered - Black.....	370.00	407.00	518.00	_____
_____	82073*	Sydney Cocktail Table, Powered - White.....	370.00	407.00	518.00	_____

Powered Pedestals

_____	85060*	Powered Locking Pedestal 36" H, Black.....	452.00	497.20	632.80	_____
_____	85061*	Powered Locking Pedestal 36" H, White.....	452.00	497.20	632.80	_____
_____	85062*	Powered Locking Pedestal 42" H, Black.....	540.00	594.00	756.00	_____
_____	85063*	Powered Locking Pedestal 42" H, White.....	540.00	594.00	756.00	_____
_____	820710*	Wireless Charging Table, Powered.....	450.00	495.00	630.00	_____

Midtown Counters & Bars

_____	850103*	Midtown Powered Counter Unlighted - Pewter.....	1,440.00	1,584.00	2,016.00	_____
_____	850102*	Midtown Powered Counter Lighted w/ Plug-In - Pewter.....	1,676.00	1,843.60	2,346.40	_____
_____	850101*	Midtown Bar Unlighted - Pewter.....	1,290.00	1,419.00	1,806.00	_____
_____	850100*	Midtown Bar Lighted w/ Plug-In - Pewter.....	1,532.00	1,685.20	2,144.80	_____

DISPLAY & ACCESSORIES

Product Storage

_____	84080*	3 Door File Cabinet on Castors - Black	166.00	182.60	232.40	_____
_____	74082	File Cabinet w/Lock - Two Drawer - Standard Size...	171.25	188.40	239.75	_____
_____	74081	File Cabinet w/Lock - Four Drawer - Standard Size..	267.25	294.00	374.15	_____
_____	85020*	Posh Shelving w/ Chrome Frame - White.....	494.00	543.40	691.60	_____

Refrigerator

_____	75057	Small Refrigerator.....	443.65	488.00	621.10	_____
_____	8503001*	Refrigerator - White.....	704.00	774.40	985.60	_____

Lighting

_____	850707*	Mason Table Lamp - White/Brushed Silver.....	140.00	154.00	196.00	_____
_____	850708*	Mason Floor Lamp - White/Brushed Silver.....	210.00	231.00	294.00	_____

FREEMAN furnishings

Take advantage of the Online price by ordering at www.freeman.com before FEBRUARY 24, 2020

NAME OF SHOW: **WEF ODORS & STORMWATER 2020 CONFERENCE / MARCH 15 - 18, 2020**

COMPANY NAME: _____ BOOTH #: _____ BOOTH SIZE: X

CONTACT NAME : _____ PHONE #: _____

E-MAIL ADDRESS : _____

For Assistance, please call (615) 884-5785 to speak with one of our experts.

For fast, easy ordering, go to www.freeman.com

Qty	Part #	Description	Online Price	Discount Price	Standard Price	Total
DISPLAY & ACCESSORIES						

Display

_____	75020	Display Cylinder - Black - Low.....	289.00	317.90	404.60	_____
_____	75021	Display Cylinder - Black - Medium.....	289.00	317.90	404.60	_____
_____	75022	Display Cylinder - Black - High.....	289.00	317.90	404.60	_____
_____	75030	Display Cube - Black - 12" Small.....	284.90	313.40	398.85	_____
_____	75031	Display Cube - Black - 18" Medium.....	305.15	335.65	427.20	_____
_____	75032	Display Cube - Black - 24" Large.....	345.70	380.25	484.00	_____
_____	75079	Orion Computer Kiosk - Black.....	560.95	617.05	785.35	_____
_____	72056	Display Counter - Black.....	281.30	309.45	393.80	_____

Boxwood Hedges

_____	85030*	7' Boxwood Hedge.....	640.00	704.00	896.00	_____
_____	85035*	4' Boxwood Hedge.....	350.00	385.00	490.00	_____

Accessories

_____	220121	Chrome Stanchion w/ 8' Retractable Belt.....	98.80	108.70	138.30	_____
_____	220118	Chrome Sign Holder.....	125.90	138.50	176.25	_____
_____	750135	Round Literature Rack.....	264.65	291.10	370.50	_____
_____	750136	Flat Literature Rack.....	234.05	257.45	327.65	_____
_____	220109	Chrome Coat Tree.....	46.90	51.60	65.65	_____
_____	220134	Aluminum Easel.....	50.85	55.95	71.20	_____
_____	220110	Chrome Bag Rack.....	125.90	138.50	176.25	_____
_____	10201484	Floor Standing Bulletin Board.....	274.95	302.45	384.95	_____
_____	220106	Corrugated Wastebasket.....	20.00	22.00	28.00	_____

Special Drape

- Black Blue Brown Green Flax
 Gold Gray Plum Red White

_____	12103	Special Drape 3'H (per ft.).....	23.10	25.40	32.35	_____
_____	12108	Special Drape 8'H (per ft.).....	31.45	34.60	44.05	_____

TOTAL COST		
_____	+	_____
Sub-Total	7% Tax	Total Cost

Taxes: Due to varying taxes across counties and cities for various categories, applicable taxes will be applied to your order accordingly based on the jurisdictions of the show city.

*Asterisk indicates item is a Freeman Select furnishing

FREEMAN furnishings

Take advantage of the Online price
 by ordering at www.freeman.com before
FEBRUARY 24, 2020

FREEMAN

1701 Lebanon Pike Circle
Nashville, TN 37210
(615) 884-5785 Fax: (469) 621-5615

**ONLINE PRICE
DISCOUNT PRICE
DEADLINE DATE**

FEBRUARY 24, 2020

**INCLUDE THE FREEMAN METHOD OF
PAYMENT FORM WITH YOUR ORDER**

NAME OF SHOW: **WEF ODORS & STORMWATER 2020 CONFERENCE / MARCH 15 - 18, 2020**

COMPANY NAME: _____ BOOTH #: _____ BOOTH SIZE: **X**

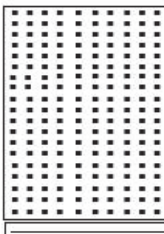
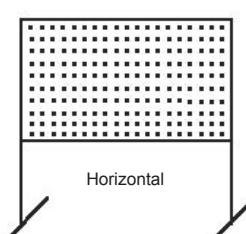
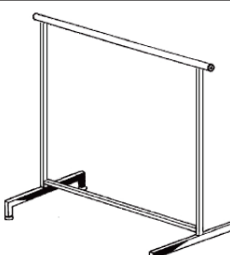
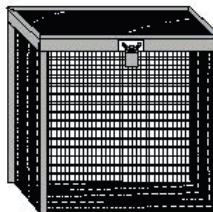


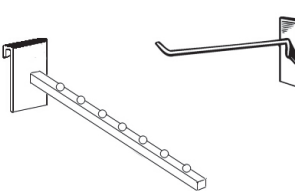
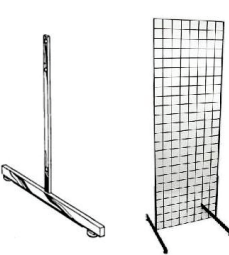
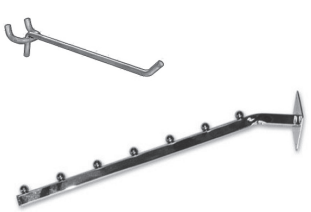
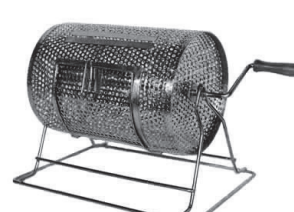
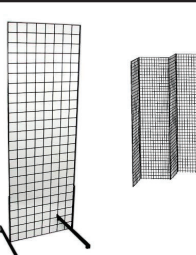
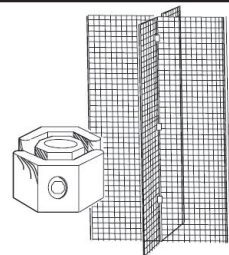
CONTACT NAME : _____ PHONE #: _____

E-MAIL ADDRESS : _____

For Assistance, please call **(615) 884-5785** to speak with one of our experts.

For fast, easy ordering, go to www.freeman.com

ACCESSORIES

 <p>Vertical</p> <p>PERFBOARD SINGLE SIDED</p>	 <p>Horizontal</p> <p>PERFBOARD SINGLE SIDED</p>	 <p>CHROME GARMENT RACK</p>	 <p>COLLAPSIBLE SECURITY CONTAINER</p>
 <p>2 WAY STRAIGHT ARM</p>	 <p>4 WAY SLANT ARM</p>	 <p>GRID ACCESSORIES</p>	 <p>GRID LEGS</p>
 <p>PERFBOARD HOOKS AND ACCESSORIES</p>	 <p>TICKET TUMBLER</p>	 <p>2' x 8' GRID PANELS</p>	 <p>4 WAY CONNECTORS</p>

Qty	Part #	Description	Online Price	Discount Price	Standard Price	Total
PERFBOARDS / BULLETIN BOARDS						
___	10201178	1M x 8'H Single Side-Vert (White)...	270.45	297.50	378.65	
___	10201179	1M x 8'H Single Side-Vert (Gray)...	270.45	297.50	378.65	
___	10201182	1/2 M x 8'H Single Side-Vert.....	203.60	223.95	285.05	
___	10201480	4' x 8' Single Side-Horz.....	270.45	297.50	378.65	
___	102040	4" Single Hook.....	3.55	3.90	4.95	
___	102060	6" Single Hook.....	3.55	3.90	4.95	
___	102080	8" Single Hook.....	3.55	3.90	4.95	
___	10205	12" Shelf Bracket.....	22.35	24.60	31.30	
___	10207	7-Ball Waterfall Arm.....	41.80	46.00	58.50	

Qty	Part #	Description	Online Price	Discount Price	Standard Price	Total
GRIDS						
___	103028	Chrome Grid.....	121.50	133.65	170.10	
___	103010	Black Grid.....	121.50	133.65	170.10	
___	103011	White Grid.....	121.50	133.65	170.10	
___	103040	Grid Legs (Chrome).....	46.60	51.25	65.25	
___	103041	Grid Legs (Black).....	46.60	51.25	65.25	
___	103042	Grid Legs (White).....	46.60	51.25	65.25	
___	103030	Grid Connectors.....	15.25	16.80	21.35	

Qty	Part #	Description	Online Price	Discount Price	Standard Price	Total
GRIDS (continued)						
___	10303	3-Ball Waterfall Arm.....	35.05	38.55	49.05	
___	10305	5-Ball Waterfall Arm.....	37.45	41.20	52.45	
___	10307	7-Ball Waterfall Arm.....	41.80	46.00	58.50	
___	10309	Cleaver Clip.....	2.60	2.85	3.65	
___	103044	4" Single Hook.....	3.55	3.90	4.95	
___	103046	6" Single Hook.....	3.55	3.90	4.95	
___	103048	8" Single Hook.....	3.55	3.90	4.95	

Qty	Part #	Description	Online Price	Discount Price	Standard Price	Total
ACCESSORIES						
___	151010	Collapsible Security Container.....	460.40	506.45	644.55	
___	15905	Fish Bowl.....	39.50	43.45	55.30	
___	159011	Ticket Tumbler - Small.....	149.10	164.00	208.75	
___	10405	Garment Rack.....	162.40	178.65	227.35	
___	10404	4-way Slant Arm.....	203.60	223.95	285.05	
___	10403	2-way Straight Arm.....	161.80	178.00	226.50	

TOTAL COST		
Sub-Total	+	7 % Tax
	=	Total Cost

FREEMAN accessories

Take advantage of the Online price by ordering at www.freeman.com before FEBRUARY 24, 2020

FREEMAN

1701 Lebanon Pike Circle
Nashville, TN 37210
(615) 884-5785 • Fax: (469) 621-5615

**ONLINE PRICE
DISCOUNT PRICE
FEBRUARY 24, 2020**

**INCLUDE THE FREEMAN METHOD OF
PAYMENT FORM WITH YOUR ORDER**

NAME OF SHOW: **WEF ODORS & STORMWATER 2020 CONFERENCE / MARCH 15 - 18, 2020**

COMPANY NAME: _____ BOOTH #: _____

CONTACT NAME: _____ PHONE #: _____

E-MAIL ADDRESS: _____

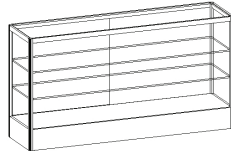
For Assistance, please call 615-884-5785 to speak with one of our experts.

For fast, easy ordering, go to www.freeman.com

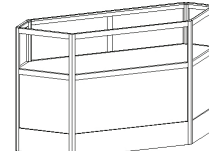
SHOWCASES



HALF VISION SHOWCASE



FULL VISION SHOWCASE



CORNER SHOWCASE

Qty	Part #	Description	Online Price	Discount Price	Standard Price	Total
SHOWCASES						
_____	17551202	Full Vision Case 1M x 1/2M.....	\$474.60	\$522.05	\$664.45	\$ _____
_____	17551203	Full Vision Case 2M x 1/2M.....	\$708.85	\$779.75	\$992.40	\$ _____
_____	17551206	Half Vision Case 1M x 1/2M.....	\$474.60	\$522.05	\$664.45	\$ _____
_____	17551207	Half Vision Case 2M x 1/2M.....	\$708.85	\$779.75	\$992.40	\$ _____
_____	175563	Corner Case.....	\$708.85	\$779.75	\$992.40	\$ _____

HALF VISION CASE 79 1/2"L x 20 7/16"W x 42"H Includes one plexi-glass shelf with adjustable brackets and 14 1/2" of viewing area.

FULL VISION CASE 79 1/2"L x 20 7/16"W x 42"H Includes two plexi-glass shelves with adjustable brackets and 32 3/8" of viewing area. No storage below display area.

CORNER SHOW CASE Includes an area for storage below the display surface and has 12 1/4" of viewing area.

All showcases are 42" high and include a lightbar mounted inside the top front edge and a sliding door with lock on the back.

Electrical service for lightbar must be arranged through the facility.

TOTAL COST		
Sub-Total _____	+ Tax (7%) _____	= TOTAL _____

Don't see what you need?
Please call an Exhibitor Services Representative @ (615) 884-5785

FREEMAN showcases

Take advantage of the Online price by ordering online at www.freeman.com by FEBRUARY 24, 2020

FROM THE GROUND UP

Engage your audience from the moment they set foot in your exhibit with custom carpets. Our colorfast carpeting boasts a consistent shade every time and the padding exceeds industry standards, ensuring that you'll be floored by the quality. Custom options can be ordered and include borders, patterns and logo applications in both our classic and prestige carpeting lines.

Sustainability Tip:

 DARKER COLORED CARPETS SUCH AS BLACK AND GRAY AND THE TWO-TONED CARPET ARE MADE OF 20-25% RECYCLED CONTENT. RENTING CARPET FROM FREEMAN MINIMIZES YOUR SHIPPING FOOTPRINT.

- Colorfast carpet technology guarantees a uniform and professional look throughout the life of your exhibit
- Diverse customization options guarantee the fulfillment of your brand standards
- All carpet and padding is manufactured with recycled material
- Rental prices are all-inclusive so there are never hidden charges for material handling or pickup
- Renting carpet from Freeman minimizes your shipping footprint.



Call customer service at the number listed on the Quick Facts. For fast, easy ordering, go to freeman.com

PRESTIGE CARPET

Freeman's prestige carpet combines plush comfort with durable soil and stain resistance, perfect for high-traffic areas. Five popular colors are available in a luxurious 40-ounce weight and all nine designer colors are available in a 28-ounce weight.


Freeman's prestige carpet packages include new 10-foot-wide carpet, delivery, Visqueen covering, installation, carpet tape, carpet removal and all carpet material handling fees. Prestige carpet is one time use. The carpet for your booth will be brand new and recycled at the end of the show. Price includes environmentally friendly disposal of carpet after usage. Foam carpet padding is available for a minimal fee. If you have a large order, please contact us to see if volume discounts may apply.

Custom Options

Prestige carpets can also be customized to fit your exhibit needs with unique logos, patterns and borders. Call the phone number on the Quick Facts for assistance.



**Colors available in both 28 oz. and 40 oz.*

 **Sustainability Tip:** Prestige carpet is one time use. The carpet for your booth will be brand new and recycled at the end of the show.

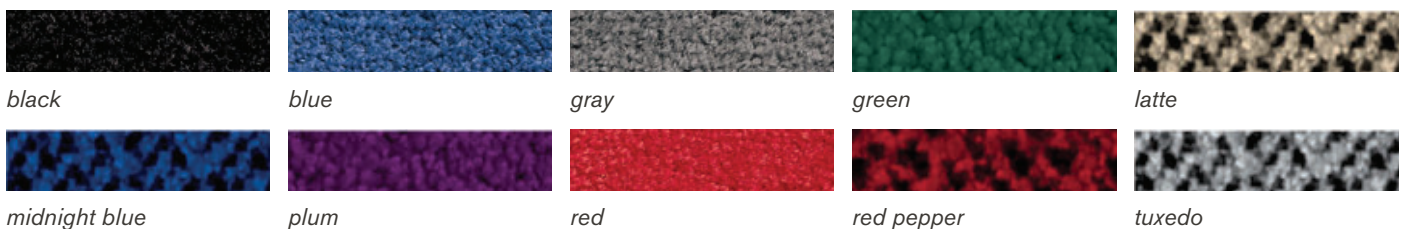
CLASSIC CARPET

Custom Cut

Freeman classic carpet is available in a range of colors and includes delivery, Visqueen covering, installation, carpet tape, carpet removal and all carpet material handling fees. Foam carpet padding is available for a minimal fee. If you have a large order, please contact us to see if volume discounts may apply.

Standard Cut

Our classic carpet comes in a variety of sizes. Prices include delivery, installation, carpet tape, carpet removal and all carpet material handling fees. Foam carpet padding and Visqueen covering are available for a minimal fee.



Actual colors may vary slightly

Sustainability Tip: Freeman Classic carpet is reused a minimum of four times before retired from inventory and recycled. Darker colored carpets such as black and gray, as well as the two-toned carpet are made of 20-25% recycled content.

FREEMAN

1701 Lebanon Pike Circle
Nashville, TN 37210
(615) 884-5785 Fax: (469) 621-5615

**ONLINE PRICE
DISCOUNT PRICE
DEADLINE DATE
FEBRUARY 24, 2020**

**INCLUDE THE FREEMAN METHOD OF
PAYMENT FORM WITH YOUR ORDER**

NAME OF SHOW: **WEF ODORS & STORMWATER 2020 CONFERENCE / MARCH 15 - 18, 2020**

COMPANY NAME: _____ BOOTH #: _____ BOOTH SIZE: _____ X

CONTACT NAME : _____ PHONE #: _____

E-MAIL ADDRESS : _____

For Assistance, please call (615) 884-5785 to speak with one of our experts.

- Orders received after the deadline or without payment will be charged the Standard price.
- All utility lines must be installed before carpet installation. Utilities should be ordered in advance.
- Pricing includes delivery, material handling, installation and removal.

All carpets, padding and plastic covering contain recycled content and are recyclable.

For fast, easy ordering, go to www.freeman.com

10' CLASSIC CARPET , PADDING & PLASTIC COVERING

CHOOSE YOUR CARPET COLOR:

- Black Blue Gray Green Latte Midnight Blue Plum Red Red Pepper Tuxedo

Qty	Description	Online Price	Discount Price	Standard Price	Total
_____	10' x 10' Classic Carpet	\$ 380.35	\$ 418.40	\$ 532.50	_____
_____	10' x 20' Classic Carpet	\$ 760.70	\$ 836.75	\$ 1,065.00	_____
_____	10' x 30' Classic Carpet	\$ 1,141.05	\$ 1,255.15	\$ 1,597.45	_____
_____	10' x 40' Classic Carpet	\$ 1,521.40	\$ 1,673.55	\$ 2,129.95	_____
_____	10' x 10' Carpet Padding - Single Layer.....	\$ 121.30	\$ 133.45	\$ 169.80	_____
_____	10' x 20' Carpet Padding - Single Layer.....	\$ 242.60	\$ 266.85	\$ 339.65	_____
_____	10' x 30' Carpet Padding - Single Layer.....	\$ 363.90	\$ 400.30	\$ 509.45	_____
_____	10' x 40' Carpet Padding - Single Layer.....	\$ 485.20	\$ 533.70	\$ 679.30	_____
_____	10' x 10' Carpet Padding - Double Layer.....	\$ 242.60	\$ 266.85	\$ 339.65	_____
_____	10' x 20' Carpet Padding - Double Layer.....	\$ 485.20	\$ 533.70	\$ 679.30	_____
_____	10' x 30' Carpet Padding - Double Layer.....	\$ 727.80	\$ 800.60	\$ 1,018.90	_____
_____	10' x 40' Carpet Padding - Double Layer.....	\$ 970.40	\$ 1,067.45	\$ 1,358.55	_____
_____	Plastic Covering (price per sq. ft.).....	\$.45	\$.50	\$.65	_____

9' CLASSIC CARPET , PADDING & PLASTIC COVERING

CHOOSE YOUR CARPET COLOR:

- Black Blue Gray Green Latte Midnight Blue Plum Red Red Pepper Tuxedo

Qty	Description	Online Price	Discount Price	Standard Price	Total
_____	9' x 10' Classic Carpet	\$ 248.75	\$ 273.65	\$ 348.25	_____
_____	9' x 20' Classic Carpet	\$ 497.50	\$ 547.25	\$ 696.50	_____
_____	9' x 30' Classic Carpet	\$ 746.25	\$ 820.90	\$ 1,044.75	_____
_____	9' x 40' Classic Carpet	\$ 995.00	\$ 1,094.50	\$ 1,393.00	_____
_____	9' x 10' Carpet Padding - Single Layer.....	\$ 109.15	\$ 120.05	\$ 152.80	_____
_____	9' x 20' Carpet Padding - Single Layer.....	\$ 218.30	\$ 240.15	\$ 305.60	_____
_____	9' x 30' Carpet Padding - Single Layer.....	\$ 327.45	\$ 360.20	\$ 458.45	_____
_____	9' x 40' Carpet Padding - Single Layer.....	\$ 436.60	\$ 480.25	\$ 611.25	_____
_____	9' x 10' Carpet Padding - Double Layer.....	\$ 218.30	\$ 240.15	\$ 305.60	_____
_____	9' x 20' Carpet Padding - Double Layer.....	\$ 436.60	\$ 480.25	\$ 611.25	_____
_____	9' x 30' Carpet Padding - Double Layer.....	\$ 654.90	\$ 720.40	\$ 916.85	_____
_____	9' x 40' Carpet Padding - Double Layer.....	\$ 873.20	\$ 960.50	\$ 1,222.50	_____
_____	Plastic Covering (price per sq. ft.).....	\$.45	\$.50	\$.65	_____

9' carpet is laid toward the front edge, leaving 1' at the back of the booth for access to utility ports.

TOTAL COST		
_____	+	_____
Sub- Total		7% Tax
	=	_____
		Total Cost

FREEMAN standard size carpet

Take advantage of the Online price by ordering at www.freeman.com before FEBRUARY 24, 2020

FREEMAN

1701 Lebanon Pike Circle
Nashville, TN 37210
(615) 884-5785 Fax: (469) 621-5615

**ONLINE PRICE
DISCOUNT PRICE
DEADLINE DATE
FEBRUARY 24, 2020**

**INCLUDE THE FREEMAN METHOD OF
PAYMENT FORM WITH YOUR ORDER**

NAME OF SHOW: **WEF ODORS & STORMWATER 2020 CONFERENCE / MARCH 15 - 18, 2020**

COMPANY NAME: _____ BOOTH #: _____ BOOTH SIZE: _____ X

CONTACT NAME: _____ PHONE #: _____

E-MAIL ADDRESS: _____

For Assistance, please call (615) 884-5785 to speak with one of our experts.

- Guaranteed new, high-quality carpet.
- Orders received after the deadline or without payment will be charged the Standard price and are subject to availability.
- Prestige and Custom Cut Classic Carpet are subject to a 100% cancellation charge.
- All utility lines must be installed before carpet installation. Utilities should be ordered in advance.

All carpets, padding and plastic covering contain recycled content and are recyclable.

For fast, easy ordering, go to www.freeman.com

CUSTOM CUT CLASSIC CARPET - includes plastic covering, delivery, material handling, installation and removal

- Order Custom Cut Classic Carpeting by the sq. ft. if your size is not listed on the standard size order form.

Sample: Booth Size: 10 x 25 = 250 sq. ft. @ \$ **4.00**

CHOOSE YOUR CARPET COLOR - 16 oz. Carpet:

- Black Blue Gray Green Latte Midnight Blue Plum Red Red Pepper Tuxedo

16 oz. Carpet Rental - Price per sq. ft (100 sq. ft. minimum)

Per sq. ft.	Booth Size: _____ x _____ = _____ sq. ft. @	Online Price	Discount Price	Standard Price	Total
		\$ 4.00	\$ 4.40	\$ 5.60	_____

PRESTIGE CARPET - includes plastic covering, delivery, material handling, installation and removal

CHOOSE YOUR CARPET COLOR - 28 oz. Carpet:

- Black Cardinal Charcoal Cream Gray Pearl Navy Toast Wedgewood White

28 oz. Carpet Rental - Price per sq. ft. (100 sq. ft. minimum)

	Booth Size: _____ x _____ = _____ sq. ft. @	Online Price	Discount Price	Standard Price	Total
1 - 700 sq. ft.		\$ 5.30	\$ 5.85	\$ 7.40	_____
Over 700 sq. ft.		\$ 4.50	\$ 4.95	\$ 6.30	_____

CHOOSE YOUR CARPET COLOR - 40 oz. Carpet:

- Black Charcoal Gray Pearl Navy White

40 oz. Carpet Rental - Price per sq. ft. (100 sq. ft. minimum)

	Booth Size: _____ x _____ = _____ sq. ft. @	Online Price	Discount Price	Standard Price	Total
1 - 700 sq. ft.		\$ 6.20	\$ 6.80	\$ 8.70	_____
Over 700 sq. ft.		\$ 5.60	\$ 6.15	\$ 7.85	_____

CARPET PADDING - includes delivery, material handling, installation and removal

- Order Carpet Padding by the sq. ft. if your size is not listed on the standard size order form.

Sample: Booth Size: 10 x 25 = 250 sq. ft. @ \$ **1.25**

Qty	Description	Price per sq. ft. (90 sq. ft. minimum)	Online Price	Discount Price	Standard Price	Total
_____	Carpet Padding -1/2" (90 - 700 sq. ft.)		\$ 1.25	\$ 1.40	\$ 1.75	_____
_____	Carpet Padding -1/2" (Over 700 sq. ft.)		\$ 1.05	\$ 1.15	\$ 1.45	_____
_____	Double Carpet Padding - 1/2" (90 - 700 sq. ft.)		\$ 2.50	\$ 2.75	\$ 3.50	_____
_____	Double Carpet Padding -1/2" (Over 700 sq. ft.)		\$ 2.10	\$ 2.30	\$ 2.95	_____

TOTAL COST

_____	+	_____	=	_____
Sub- Total		7% Tax		Total Cost

Take advantage of the Online price
by ordering at www.freeman.com
before FEBRUARY 24, 2020

FREEMAN cut to size carpet

FIT TO PRINT

SmartFabric® is a triple-layered fabric made of 100 percent polyester that's ideal for printed graphics. It's an extremely versatile all-in-one fabric and has been treated to meet NFPA 701 small-scale flammability standards. This lightweight material provides an easy way to make a big impact and has a small shipping footprint to reduce your shipping cost and carbon emissions.



* Client to provide print-ready artwork, or Freeman can design artwork for an additional fee.

SMARTFABRIC® RENTAL EXHIBITS



10 x 10 ft. unit

GRAPHIC SIZE

116"W 92.5"H



10 x 20 ft. unit

GRAPHIC SIZE

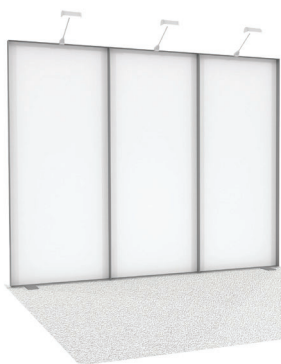
233.5"W 92.5"H

RENTAL EXHIBITS INCLUDE:

- Custom Fabric Graphic* with zippered carrying case (fabric graphic purchased to keep)
- Rental Frame, a 100% recyclable structure
- 9' x 10' or 9' x 20' Classic Carpet (color selections on page 3)
- Exhibit Installation & Dismantle
- Exhibit Material Handling
- Nightly Vacuuming
- 3 Arm Lights per 10' Booth
- 6 Arm Lights per 20' Booth
- Power for lights only

FRAME ONLY UNIT

If you rented a SmartFabric booth previously, you own the graphic. For subsequent shows, all you need to do is rent the frame. We will install your fabric graphic over the frame.**



10 x 10 ft. frame



10 x 20 ft. frame

RENTAL EXHIBITS INCLUDE:

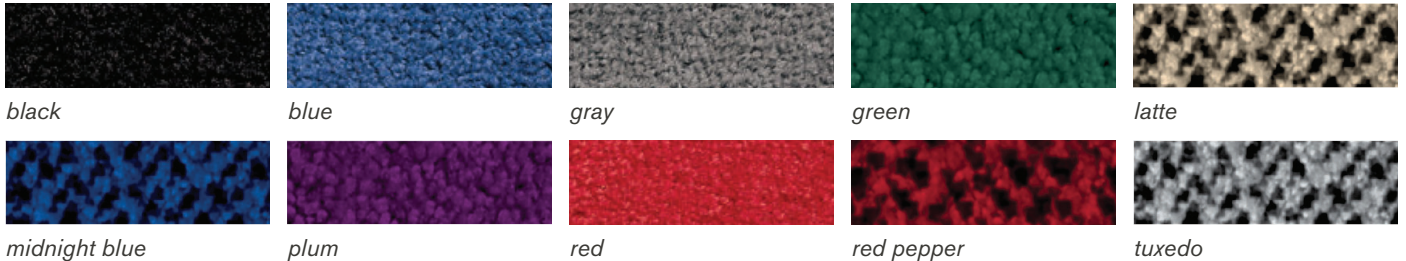
- Rental Frame
- 9' x 10' or 9' x 20' Classic Carpet (color selections on page 3)
- Exhibit Installation & Dismantle
- Exhibit Material Handling
- Nightly Vacuuming
- 3 Arm Lights per 10' Booth
- 6 Arm Lights per 20' Booth
- Power for lights only

*Client to provide print-ready artwork, or Freeman can design artwork for an additional fee. **Only Freeman SmartFabric will be installed on the frame.

CLASSIC CARPET

Freeman Classic carpet is reused a minimum of four times before being retired from inventory and recycled. Darker-colored carpets such as black and gray, as well as two-toned carpets, are made of 20-25 percent recycled content.

9' x 10' or 9' x 20' (16 oz.) – Color Options Included with Rental Package Options

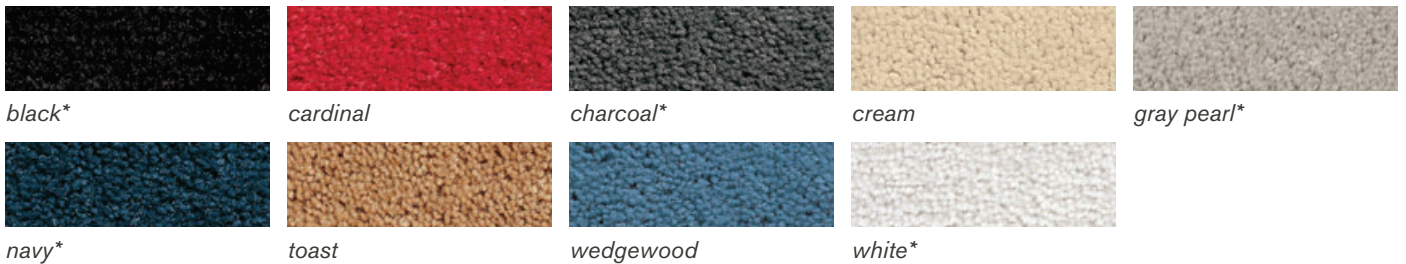


9' carpet is laid toward the front edge, leaving 1' at the back of the booth for utility port access. Actual colors may vary slightly.

PRESTIGE CARPET

Prestige carpet is for one time use. The carpet for your booth will be brand new and recycled at the end of the show. Renting carpet from Freeman minimizes your shipping footprint.

(28 oz.) – Available Upgrade Color Options



**Colors available in both 28 oz. and 40 oz. Actual colors may vary slightly.*

OPTIONAL ACCESSORIES

SMARTFABRIC® ZIPPERED CARRYING CASE

20"W 8"H 16"D

One SmartFabric zipper bag is included with purchase.



CLEAR ACRYLIC SHELF

36"W .25"H 12"D


(holds up to 15 lbs each)



CUSTOM GRAPHICS

An exhibitor sales specialist will contact you to review the process for providing your own graphic files or options for using our graphic design services to design your back wall.

FREEMAN SUSTAINABILITY FOCUS

 This solution is a clean footprint booth. This rental unit includes a 100 percent recyclable aluminum frame. All flooring, lighting, furniture, and booth structure will go back into inventory to be reused or recycled.

FREEMAN

1701 Lebanon Pike Circle
Nashville, TN 37210
(615) 884-5785 Fax: (469) 621-5615

**DISCOUNT PRICE
DEADLINE DATE
FEBRUARY 24, 2020**

**INCLUDE THE FREEMAN METHOD OF
PAYMENT FORM WITH YOUR ORDER**

NAME OF SHOW: **WEF ODORS & STORMWATER 2020 CONFERENCE / MARCH 15 - 18, 2020**

COMPANY NAME: _____ BOOTH #: _____ BOOTH SIZE: X

CONTACT NAME : _____ PHONE #: _____

E-MAIL ADDRESS : _____

For Assistance, please call (615) 884-5785 to speak with one of our experts.

For fast, easy ordering, go to www.freeman.com

SMARTFABRIC EXHIBIT

SmartFabric Exhibits provide a custom printed fabric graphic to keep and reuse on future events.



SmartFabric Rental Exhibit Includes:

- 116.5" X 92.5" Custom Fabric Graphic (Purchased item to keep)
- Carrying Case for Graphic (To carry the purchased fabric graphic)
- Classic Carpet 9' X 10' or 9' X 20' (Select color below)
- Installation & Dismantle of Exhibit
- Material Handling of Exhibit
- Nightly Vacuuming
- 3-Arm Lights (per 10 ft.)
- Power for LIGHTS only

Classic Carpet: Black Blue Gray Green Latte
 Midnight Blue Plum Red Red Pepper Tuxedo

Qty	Description	Discount	Standard	Total
_____	10' x 10' SmartFabric Exhibit.....	\$ 2,155.00	\$ 3,017.00	_____
_____	10' x 20' SmartFabric Exhibit.....	\$ 4,155.00	\$ 5,817.00	_____

CUSTOM GRAPHICS

A Freeman Exhibitor Sales Specialist will be contacting you to review the process for providing graphic files and helpful tips that will ensure a successful graphic print.

FRAME ONLY UNIT

The SmartFabric frame only unit is for exhibitors who have previously rented the SmartFabric exhibit (above) and have the fabric graphic ready for reuse. If you need a new graphic made, please select the SmartFabric Rental Exhibit (above). No fabric graphics will be printed without the rental unit.



Frame Only Unit Includes:

- Classic Carpet 9' X 10' or 9' X 20' (Select color below)
- Installation & Dismantle of Exhibit
- Material Handling of Exhibit
- Nightly Vacuuming
- 3-Arm Lights (per 10 ft.)
- Power for LIGHTS only

Classic Carpet: Black Blue Gray Green Latte
 Midnight Blue Plum Red Red Pepper Tuxedo

Qty	Description	Discount	Standard	Total
_____	10' x 10' Frame Only Unit.....	\$ 1,410.00	\$ 1,974.00	_____
_____	10' x 20' Frame Only Unit.....	\$ 2,350.00	\$ 3,290.00	_____

ACCESSORIES

Qty	Description	Discount	Standard	Total
_____	SmartFabric Arm Light	\$ 65.00	\$ 91.00	_____
_____	SmartFabric Acrylic Shelf (supports up to 15 lbs).....	\$ 150.00	\$ 210.00	_____
_____	SmartFabric Carrying Case (purchase).....	\$ 20.00	\$ 28.00	_____

QUICK TIPS

• Orders received after the deadline or without payment will be charged the Standard price and are subject to availability. All graphics are subject to a 100% cancellation charge once production begins.

☑ The product offered has recyclable content or has eco-friendly attributes and is 100% recyclable according to manufacturer's specifications.

9' carpet is laid toward the front edge, leaving 1' at the back of the booth for access to utility ports.

TOTAL COST		
_____	+	_____ = _____
Sub-Total		7 % Tax Total Cost

RENTAL EXHIBITS THAT IMPRESS

When it comes to designing your exhibit, effective solutions don't require expensive investments. Take the stress out of your upcoming show with a rental exhibit from Freeman. With quality rental options that meet your budget requirements, we'll have you exhibit ready at a moment's notice, without the hassle of ownership.

PACKAGE 1



10 X 20



10 X 10

PACKAGE 1 UPGRADE OPTIONS
With Graphics and Cabinet

10 X 10



FREEMAN

PACKAGE 2



10 X 20



10 X 10

PACKAGE 3



10 X 20



10 X 10

PACKAGE 4



10 X 20



10 X 10

PACKAGE 2 UPGRADE OPTIONS

With Graphics and Cabinet

10 X 10



PACKAGE 3 UPGRADE OPTIONS

With Graphics and Cabinet

10 X 10



PACKAGE 4 UPGRADE OPTIONS

With Graphics and Cabinet

10 X 10



FREEMAN

PACKAGE 5



10 X 20



10 X 10

PACKAGE 6



10 X 20



10 X 10

PACKAGE 5 UPGRADE OPTIONS

With Graphics and Cabinet

10 X 10



PACKAGE 6 UPGRADE OPTIONS

With Graphics and Cabinet

10 X 10



FREEMAN

There are upgrade options available that allow you to change the panels to slatwall, add shelves, change the metal color and add cabinets as a storage option with the dual purpose of a reception counter.



10 X 10

SLATWALL



10 X 10

COLORED PANELS



10 X 10

SHELVES



10 X 10

BLACK METAL

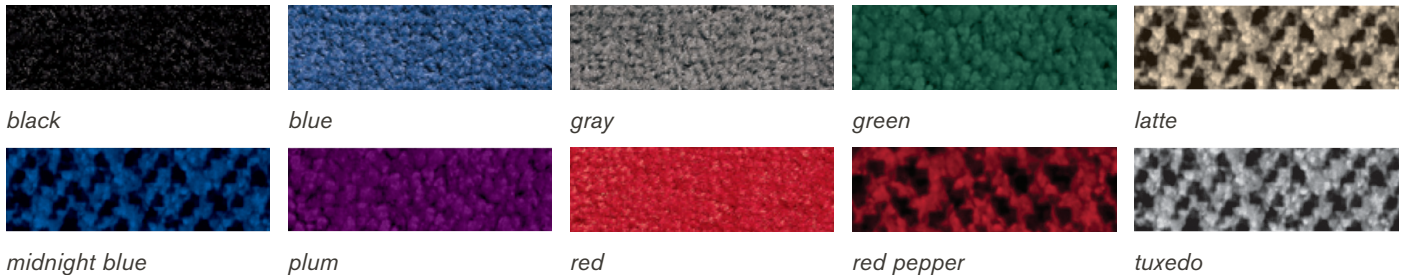


CABINETS

Booth Panel Options – Color Options Included with Rental Package

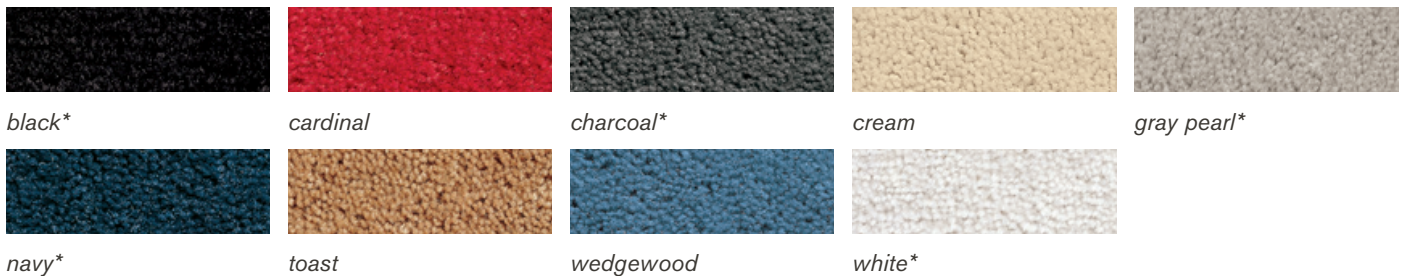


Classic Carpet (16 oz.) – Color Options Included with Rental Package Options. Darker colored Classic carpet is made of 25-50% recycled content.



9' carpet is laid toward the front edge, leaving 1' at the back of the booth for utility port access. Actual colors may vary slightly.

Prestige Carpet (28 oz.) – Available Upgrade Color Options



*Colors available in both 28 oz. and 40 oz. Actual colors may vary slightly.

Rental Exhibits Include:

- 9x10 or 9x20 Classic Carpet
- Exhibit Installation & Dismantle
- Exhibit Material Handling
- Nightly Vacuuming
- 2-arm lights per 10' Booth
- Power (500 watts) for LIGHTS only (and Labor to hang lights)

questions?

All packages can be customized or modified to fit your specific needs. To speak with an Exhibitor Sales Specialist, call the number listed on the Quick Facts.



“CLEAN FOOTPRINT” MATERIALS

When you select “Clean Footprint” materials for your booth we will use only materials that can be reused or recycled. All flooring, lighting, furniture, and booth structure will go back into inventory to be reused again. Your personalized graphic panels used in the booth will be printed on reusable and 100% recyclable substrate such as Freeman honeycomb, conerd board and reboard. Using a Freeman rental unit includes 100% recyclable aluminum in the structure and virtually eliminates your shipping footprint and carbon emissions.

FREEMAN

1701 Lebanon Pike Circle
Nashville, TN 37210
(615) 884-5785 Fax: (469) 621-5615

**DISCOUNT PRICE
DEADLINE DATE
FEBRUARY 24, 2020**

**INCLUDE THE FREEMAN METHOD OF
PAYMENT FORM WITH YOUR ORDER**

NAME OF SHOW: **WEF ODORS & STORMWATER 2020 CONFERENCE / MARCH 15 - 18, 2020**

COMPANY NAME: _____ BOOTH #: _____ BOOTH SIZE: _____ X

CONTACT NAME : _____ PHONE #: _____

E-MAIL ADDRESS : _____

For Assistance, please call (615) 884-5785 to speak with one of our experts.

For fast, easy ordering, go to www.freeman.com

All Exhibits Include: installation & dismantle of exhibit, material handling of exhibit, 9' x 10' or 9' x 20' classic carpet with nightly vacuuming, 2 arm lights (per 10' unit), power (500 watts) for lights ONLY and labor to hang arm lights.

To place your order, please check the appropriate box and complete the remaining selections at the bottom of the form.

RENTAL EXHIBITS

		Discount Price	Standard Price		Discount Price	Standard Price	
Package 1	<input type="checkbox"/> 10' x 10'	3,364.80	4,710.70	<input type="checkbox"/> 10' x 20'	6,589.50	9,225.30	_____
Package 2	<input type="checkbox"/> 10' x 10'	2,002.80	2,803.90	<input type="checkbox"/> 10' x 20'	3,865.40	5,411.55	_____
Package 3	<input type="checkbox"/> 10' x 10'	2,843.55	3,980.95	<input type="checkbox"/> 10' x 20'	5,547.10	7,765.95	_____
Package 4	<input type="checkbox"/> 10' x 10'	2,851.20	3,991.70	<input type="checkbox"/> 10' x 20'	5,548.60	7,768.05	_____
Package 5	<input type="checkbox"/> 10' x 10'	2,995.15	4,193.20	<input type="checkbox"/> 10' x 20'	5,871.30	8,219.80	_____
Package 6	<input type="checkbox"/> 10' x 10'	3,122.35	4,371.30	<input type="checkbox"/> 10' x 20'	6,172.80	8,641.90	_____

CHOOSE YOUR PANEL

- Black Fabric Blue Fabric Gray Fabric White Hardwall White Perfboard

CARPET

Our Classic Carpet and nightly vacuuming are included in the price of your Rental Exhibit. The following colors are available:

Check color choice

- Black Blue Gray Green Latte
 Midnight Blue Plum Red Red Pepper Tuxedo

You may want to add padding or upgrade your carpet to one of our 15 designer colors in our PRESTIGE carpet line. Now available in 28 oz. and 40 oz. weight. Refer to our enclosed Carpet order form for color selections and pricing.

LIGHTING

Each Rental Exhibit includes 2 Arm Lights (per 10' unit).

Note: Power and labor to hang the lights are included in our standard rental exhibit package price. Power consumption not to exceed 500 Watts.

Additional power must be ordered separately.

HEADER IDENTIFICATION SIGN

Indicate which color lettering you would like. We have a wide variety of standard colors available:

- Black Blue Brown Burgundy PMS Color _____
 Red Teal White Green Font Type _____

Indicate exactly how you want your company name to appear:

*Unless font type is indicated, Helvetica will be used.

ENHANCE YOUR EXHIBIT

Enhance your exhibit and have an Exhibitor Sales Specialist contact you for pricing by checking any of the following boxes:

- Slatwall & Shelves Cabinets & Counters Specialty Colored Metal Recyclable Graphics
 Colored Panels Creating a Custom Exhibit Graphics & Custom Logo White Eco-Board

The product offered has recyclable content or has eco-friendly attributes and is 100% recyclable according to manufacturer's specifications.

TOTAL COST		
_____	+	_____ = _____
Sub-Total		7 % Tax Total Cost

FREEMAN

1701 Lebanon Pike Circle
Nashville, TN 37210
(615) 884-5785 Fax: (469) 621-5615

**DISCOUNT PRICE
DEADLINE DATE
FEBRUARY 24, 2020**

**INCLUDE THE FREEMAN METHOD OF
PAYMENT FORM WITH YOUR ORDER**

NAME OF SHOW: **WEF ODORS & STORMWATER 2020 CONFERENCE / MARCH 15 - 18, 2020**

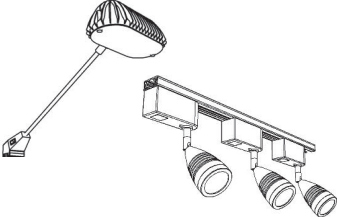
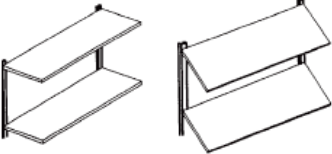
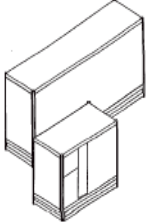
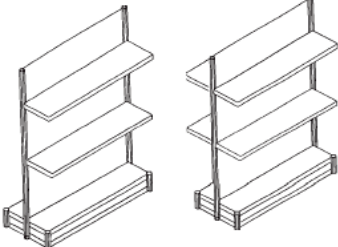

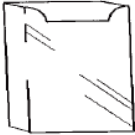
COMPANY NAME: _____ BOOTH #: _____ BOOTH SIZE: _____ X

CONTACT NAME : _____ PHONE #: _____

E-MAIL ADDRESS : _____

For Assistance, please call (615) 884-5785 to speak with one of our experts.

For fast, easy ordering, go to www.freeman.com
ACCESSORIES FOR RENTAL UNITS

<p>LIGHTS (use only on rentals)</p> 	<p>SHELVES (use only on rentals)</p> 	<p>CABINETS</p> 
<p>GONDOLAS</p> 	<p>RADIUS CABINET (does not have doors)</p> 	<p>LITERATURE POCKETS</p> 

Qty	Part #	Description	Discount Price	Standard Price	Total
LIGHT FIXTURES					
(electrical service & labor to install lights not included)					
___	172512	Arm Light	127.60	178.65	_____
___	172514	4' Tracklight (3 lights)	388.00	543.20	_____
___	17252	Halogen Light	104.15	145.80	_____

CABINETS & LOCKS					
Cabinets					
<input type="checkbox"/> Black Fabric <input type="checkbox"/> Blue Fabric <input type="checkbox"/> Gray Fabric <input type="checkbox"/> White PVC					
___	17305	1M x 1/2M x 36" High.....	670.30	938.40	_____
___	17306	1M x 1/2M x 42" High.....	750.55	1,050.75	_____
___	17308	2M x 1/2M x 36" High.....	844.15	1,181.80	_____
___	17309	2M x 1/2M x 42" High.....	883.95	1,237.55	_____
___	173010	1M Radius x 1/2M x 36" High.	627.60	878.65	_____
___	173011	1M Radius x 1/2M x 42" High..	734.15	1,027.80	_____
(Radius Cabinets do not have doors)					
___	17301	Cabinet Lock	27.15	38.00	_____
Inside Shelves Available Quoted on Request					

Qty	Part #	Description	Discount Price	Standard Price	Total
GONDOLAS					
Gondolas					
<input type="checkbox"/> Blue Fabric <input type="checkbox"/> Gray Fabric <input type="checkbox"/> Perboard <input type="checkbox"/> White PVC					
___	174541	Single Sided 1M x 4' High...	455.25	637.35	_____
___	174542	Double Sided 1M x 4' High..	569.15	796.80	_____
___	174581	Single Sided 1M x 8' High...	630.40	882.55	_____
___	174582	Double Sided 1M x 8' High..	788.10	1,103.35	_____

SHELVES					
___	17201	1M Straight (37" x 12")	116.40	162.95	_____
___	17206	1M Angled (37" x 12")	116.40	162.95	_____

LITERATURE POCKETS					
___	174015	For 8 1/2 x 11 Literature	40.30	56.40	_____

TOTAL COST			
Sub-Total	+	7% Tax	= Total Cost

Don't see what you need?
Please call Exhibitor Sales at (615) 884-5785.

** Remember to make a selection for items with checkboxes. Otherwise, a selection will be made for you.*

FLEXING TO FIT YOUR NEEDS

TotalFlex® provides the ability to configure exhibits to fit your space, budget and vision from show to show. Available for rent or for purchase, this pop-up display is versatile, lightweight and durable, and setup can be completed without tools in only a few minutes.

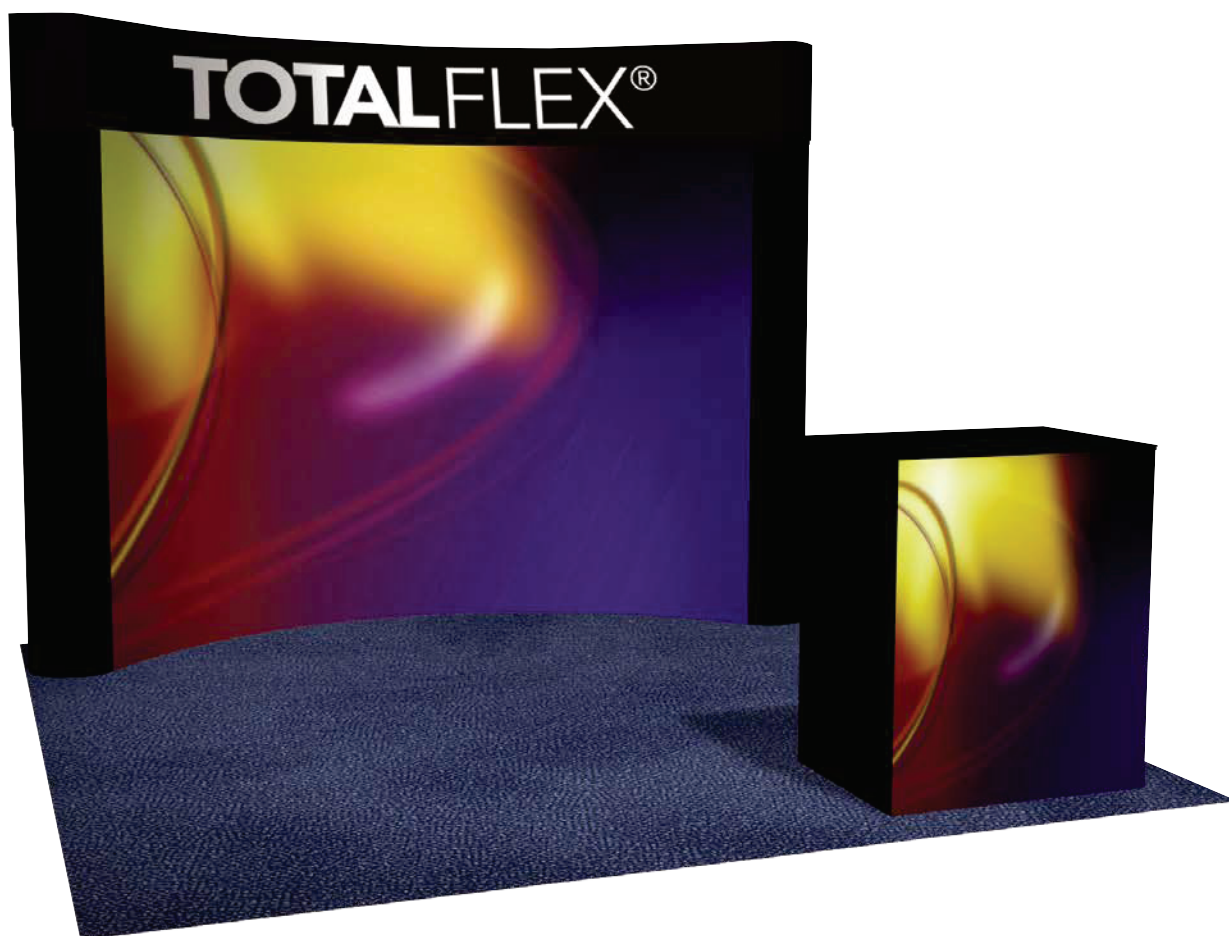


Call customer service at the number listed on the Quick Facts. For fast, easy ordering, go to www.freeman.com

The TotalFlex® solution is the most versatile exhibit option available:

- Floor unit cases easily convert into a podium.
- Velcro-compatible fabric panels available in a wide selection of colors.
- Compatible with shelves, lights and other innovative trade show accessories.
- Available in a variety of sizes for rent or purchase, including a tabletop version (shown on front).
- Freeman offers full graphic and logo design solutions.*
- All TotalFlex® rental units include installation & dismantling of display system, material handling, 9'x10' or 9'x20' Classic Carpet with nightly vacuuming, 200-watt halogen lights (1 light for the table-top unit, 2 lights per 8x10 unit) as well as power and labor to hang them.

**Graphic design elements are priced separately and not included with TotalFlex® order.*



FLOOR UNITS

- ▬ 10'w x 8'h Floor Standing Unit
- ▬ 20'w x 8'h Floor Standing Unit

TABLE TOP UNITS

- ▬ 6'w x 40"h Table Top Unit
- ▬ 8'w x 40"h Table Top Unit

FREEMAN

1701 Lebanon Pike Circle
Nashville, TN 37210
(615) 884-5785 Fax: (469) 621-5615

**DISCOUNT PRICE
DEADLINE DATE
FEBRUARY 24, 2020**

**INCLUDE THE FREEMAN METHOD OF
PAYMENT FORM WITH YOUR ORDER**

NAME OF SHOW: **WEF ODORS & STORMWATER 2020 CONFERENCE / MARCH 15 - 18, 2020**

COMPANY NAME: _____ BOOTH #: _____ BOOTH SIZE: _____ X

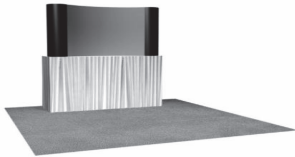
CONTACT NAME : _____ PHONE #: _____

E-MAIL ADDRESS : _____

For Assistance, please call (615) 884-5785 to speak with one of our experts.

For fast, easy ordering, go to www.freeman.com

TABLETOP UNIT



RENTAL			QTY	TOTAL
Size	Discount Price	Standard Price		
40"H x 6'W	1,239.60	1,735.45	_____	_____
40"H x 8'W	1,446.15	2,024.60	_____	_____

PURCHASE*			QTY	TOTAL
Size	Discount Price	Standard Price		
40"H x 6'W	1,550.90	2,171.25	_____	_____
40"H x 8'W	1,756.05	2,458.45	_____	_____

*Shipping Not Included

Rental Units Include:
Draped Table (select color below)
Classic Carpet 9' X 10' (select color below)
Installation & Dismantle of Exhibit
Material Handling of Exhibit
Nightly Vacuuming
1-200 Watt Halogen Light (Power (500 watts) for LIGHTS only and Labor to hang lights)

Purchase Units Include:
1-Case
One Time Installation & Dismantle

Header Identification Sign - (white with black text) Indicate copy below:

Fabric Panel Colors for All Units: Black Gray Blue

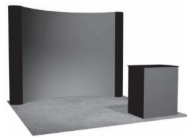
**Other Colors Also Available for Purchase Units*

9' x 10' Classic Carpet: Black Blue Green Gray
 Latte Midnight Blue Plum Red Red Pepper Tuxedo

Table Drape:

Black Blue Brown Green Flax
 Gold Gray Plum Red White

FLOOR UNIT



RENTAL			QTY	TOTAL
Size	Discount Price	Standard Price		
8'H x 8'W	2,068.70	2,896.20	_____	_____
8'H x 10'W	2,473.65	3,463.10	_____	_____

PURCHASE*			QTY	TOTAL
Size	Discount Price	Standard Price		
8'H x 8'W	3,516.20	4,922.70	_____	_____
8'H x 10'W	4,127.80	5,778.90	_____	_____

*Shipping Not Included

Rental Units Include:
Classic Carpet 9' X 10' (select color below)
Installation & Dismantle of Exhibit
Material Handling of Exhibit
Nightly Vacuuming
1-Podium - 8'H X 10'W unit only
2-200 Watt Halogen Lights (Power (500 watts) for LIGHTS only and Labor to hang lights)

Purchase Units Include:
2-Cases
One Time Installation & Dismantle
1-Podium - 8'H X 10'W unit only

Header Identification Sign - (white with black text) Indicate copy below:

Fabric Panel Colors for All Units: Black Gray Blue

**Other Colors Also Available for Purchase Units*

9' x 10' Classic Carpet: Black Blue Green Gray
 Latte Midnight Blue Plum Red Red Pepper Tuxedo

• All Classic carpet contain recycled content and are recyclable.

CUSTOM GRAPHIC / PHOTO PANELS

Our custom graphic panels can dramatically enhance your exhibit's appearance.

Please check the box to have an Exhibitor Sales Specialist contact you to assist in creating a unique exhibit.

OPTIONAL ACCESSORIES			RENTAL			PURCHASE			
Part #	Description	Qty	Discount Price	Standard Price	Total	Qty	Discount Price	Standard Price	Total
1715800	2-200 Watt Halogen Light Kit	_____	235.50	329.70	_____	_____	334.95	468.95	_____
1715801	1-200 Watt Halogen Light Kit	_____	123.95	173.55	_____	_____	244.15	341.80	_____
1715802	Straight Shelf	_____	94.95	132.95	_____	_____	169.35	237.10	_____
1715803	Angled Shelf	_____	94.95	132.95	_____	_____	169.35	237.10	_____

QUICK TIPS

- * If shipping literature or products, material handling rates will apply.
- * Order in advance to save time, money and ensure availability. **Orders received after the deadline date or without payment will be charged the Standard Price.**

PURCHASE UNITS TOTAL COST

Sub-Total	+	7% Tax	=	Total Cost
-----------	---	--------	---	------------

RENTAL UNITS TOTAL COST

Sub-Total	+	7% Tax	=	Total Cost
-----------	---	--------	---	------------

SEEING IS BELIEVING

Quality graphics contribute significantly to the impact of your exhibit. With state-of-the-art design and printing capabilities, Freeman brings your banners, signage, and exhibit graphics to life in a larger-than-life way. Our graphics products redefine “high definition,” which means your brand has never been seen like this before.

- Photo-quality / high-resolution printing on a variety of rigid and rolled material including honeycomb, foam, Polyfoam, PVC, acrylic, fabric, vinyl and mesh materials
- Grand Format printers provide high-resolution digital printing of single and double-sided banners in virtually any size
- Electronic file transfer, in-house printing, and company-wide procedure standardization allow us to control quality, cost and scheduling on a nationwide basis
- Extensive resources ensure that last minute repairs and replacements are handled efficiently as needed, no matter where your event may be located



Call customer service at the number listed on the Quick Facts. For fast, easy ordering, go to freeman.com

CREATING VISUAL EXCITEMENT

Quality graphics contribute significantly to the impact of your exhibit. Vivid colors and sharp images attract attention, build traffic, and communicate messages more effectively. Freeman has invested in the latest printing technology and has the skills to provide you with the finest high-resolution digital graphic reproduction available.

STATE-OF-THE-ART CAPABILITIES

Freeman can provide four-color, photo-quality, high-resolution digital printing in virtually any size for banners, signage, exhibit graphics, and more. Each Freeman location has stand-alone printing capabilities, along with two additional graphic locations for additional support and for special requirements.

SUPERIOR QUALITY CONTROL

Electronic file transfer, in-house printing, and company-wide standardization of procedures allow us to control quality, cost and scheduling for our customers on a nationwide basis. Last minute repairs and replacements are handled efficiently through our nationwide resources.

DEPTH OF RESOURCES

- 5M UV roll printers provide grand format, four-color, high-resolution digital printing of single and double-sided banners up to 16' wide and virtually any size with seams.
- 3M Dye Sublimation printers provide 10' fabric graphics that work perfectly in our SmartWall panel system.
- UV flatbeds print directly to a variety of ridged materials and offer a 100% recyclable graphic when using a cardboard substrate.
- Freeman offers 100% recyclable substrates that can save you money and the environment.
- Large format Eco-Solvent printers produce high quality graphics for wall, carpet and window applications.
- 3M high speed digital cutters allow for precise cutting of multiple panel applications and also custom router graphic panels.
- Computer-aided graphic design & layout available for your assistance.

REPRODUCTION AND INSTALLATION

- Suspended banners
- Accent graphic photo panels
- Large format signage and banners
- Logo reproduction
- Backlit displays and murals
- Four-color carpet image printing



FREEMAN

1701 Lebanon Pike Circle
Nashville, TN 37210
(615) 884-5785 Fax: (469) 621-5615

**DISCOUNT PRICE
DEADLINE DATE
FEBRUARY 24, 2020**

**INCLUDE THE FREEMAN METHOD OF
PAYMENT FORM WITH YOUR ORDER**

NAME OF SHOW: **WEF ODORS & STORMWATER 2020 CONFERENCE / MARCH 15 - 18, 2020**

COMPANY NAME: _____ BOOTH #: _____ BOOTH SIZE: X _____

CONTACT NAME: _____ PHONE #: _____

E-MAIL ADDRESS: _____

For Assistance, please call (615) 884-5785 to speak with one of our experts.

**For fast, easy ordering, go to www.freeman.com
GRAPHICS**

**To order your graphics, complete this order form and attach your sign copy or electronic file.
Please see artwork guidelines for electronic files on page 2 of this form.
Note: All graphics are subject to a 100% Cancellation Charge.**

DIGITAL GRAPHICS

Freeman has the capabilities to provide you with the finest digital graphic reproduction available. Capabilities include four-color, photo-quality, high-resolution digital printing virtually any size for banners, signage, exhibit graphics and more.

_____ L X _____ W = _____ sq.ft.

sq. ft. _____ \$ 19.75 per sq. ft. discount price
x or = \$ _____
\$ 29.65 per sq. ft. standard price

- Minimum order per graphic 9 sq. ft. (1296 sq. in.)
- Double sq. ft. for double-sided graphics
- Round sq. ft. to next whole increment
- File conversion, retouching, cloning or color correcting may incur additional labor charges. (See reverse side for graphic guidelines.)

LARGE DIGITAL GRAPHICS

Please call an Exhibitor Sales Specialist for price quotes on graphics over 80 sq. ft.

File Information:
Electronic File Name _____

Application _____
PMS Colors _____

Backing Material:

- | | |
|---|--|
| <input type="checkbox"/> Freeman Foam (Foamcore) | <input type="checkbox"/> Masonite |
| <input type="checkbox"/> Freeman PVC (PVC) | <input type="checkbox"/> Plexi |
| <input type="checkbox"/> Freeman HD Foam (Gatorfoam) | <input type="checkbox"/> Freeman Honeycomb (Eco-Board) |
| <input type="checkbox"/> Freeman Polyfoam (Ultra Board) | <input type="checkbox"/> Other |

The product offered has recycled content or has eco-friendly attributes and is 100% recyclable according to the manufacturer's specifications.

Vertical Horizontal Use Your Judgment For Sign Layout

Special Instructions

STANDARD SIZES

CHOOSE YOUR SIZE:

QTY.	Discount Price	Standard Price	TOTAL
7" x 11" @ _____	36.55	54.85 =	_____
7" x 22" @ _____	36.55	54.85 =	_____
7" x 44" @ _____	51.35	77.05 =	_____
9" x 44" @ _____	66.30	99.45 =	_____
11" x 14" @ _____	36.55	54.85 =	_____
14" x 22" @ _____	51.35	77.05 =	_____
14" x 44" @ _____	102.70	154.05 =	_____
22" x 28" @ _____	102.70	154.05 =	_____
28" x 44" @ _____	207.40	311.10 =	_____
20" x 60" @ _____	207.40	311.10 =	_____

(white only)

Note: File conversion, retouching, cloning or color may incur additional labor charges. (See reverse side for graphic guidelines.)

INDICATE YOUR SIGN COPY HERE:

* Please feel free to attach additional sign copy on separate page.

Vertical Horizontal Use Your Judgment For Sign Layout

Background Color: _____

Lettering Color: _____

TOTAL COST		
Sub-Total	+	7 % Tax
		= Total Cost

FREEMAN graphics

CUSTOMER GUIDELINES FOR SUBMITTING GRAPHICS ARTWORK

Our goal is to provide you with the best possible quality graphics for your event or exhibit. You can help us in that effort by providing digital art files using the following guidelines. If you are sending us completed, print-ready files, please pass the following information on to your graphics designer or art department. Artwork must be submitted in the proper resolution and/or file size to produce quality images. Please provide proper color matching information and proofs to ensure accurate color reproduction.

PLEASE PROVIDE THE FOLLOWING WHEN SUBMITTING ART

RASTER ART (photos, logos containing any continuous tone images):

- Art submitted at 1:1 (100%), resolution should be no less than 60 dpi (100 dpi preferred)
- Art submitted at 2:1 (50%), resolution should be no less than 120 dpi (200 dpi preferred)
- Art submitted at 4:1 (25%), resolution should be no less than 240 dpi (400 dpi preferred)

VECTOR ART:

- Logos should be vector and have outlined fonts (if provided as bitmap, please use high-res images)

FONTS and LINKS

- Supply all fonts used in your design (zip Mac fonts). If unsure how to collect fonts, convert them to outlines
- Supply all links used in your document. Use packaging feature if available. If unsure how to collect links, embed them in the file when saving.

COLOR

- If PMS color matching is required, please use original Pantone + Solid Coated swatches in your artwork. Modifying Pantone names will result in printing default color (CMYK)
- CMYK artwork will be produced "As Is". Our color output is balanced and vibrant.
- Convert RGB art to CMYK if possible.
- If you are sending Certified Color Proofs (Gracol, Swop, Fogra), please provide ICC file information used to print your samples. Best option would be to include ICC chart on your prints.

ARTWORK IN THE STRUCTURE

- Please note that any panels going in the metal frame will hide 1/4" of your art all the way around. If you have a continuous wall where individual panels are divided by metal, use 1.25" spacing in between each panel to account for gaps and the natural flow of the graphics.

ACCEPTABLE FILE SOFTWARE

We are capable of working with both PC and MAC based software, and can accept art created with the ADOBE Creative Suite - Illustrator, InDesign, and Photoshop

Always provide the following:

- Native files with fonts and links (zipped)
- High-res PDF-X/4 exports of the files

ACCEPTABLE FILE TYPES and SUPPORT FILES

NATIVE FILES:

- AI CLOUD (CC) file with Packaged supporting links and fonts. You may keep images linked but Packaging feature must be used.
- AI (CS6, CS5, CS4...) file with embedded links and outlined fonts
- EPS file with embedded links and outlined fonts
- INDD file with Packaged supporting links and fonts

PRINT FILES:

- High-res PDF-X/4 (preferred)
- AI with PDF content (choose this option when saving file)
- EPS files with embedded links and outlined fonts

RASTER OR BITMAP ART:

- Photoshop EPS (preferred, use 8-bit preview, Max, Quality JPG compression)
- PSD (make sure font layers are rasterized)
- TIFF, JPG (quality 8 and higher)

Mac users: Use Zip or Stuffit programs when submitting fonts other than OTF (Open Type Fonts)

WAYS TO SEND ARTWORK

• Files below 10 MB can be delivered via email. Larger files may be posted to Freeman's FTP site. You may get the password and other needed information from your Freeman service representative in order to post files. However, a hard copy proof and backup of the files on CD-Rom/DVD may be required to be sent via overnight delivery in addition to posting the electronic files. Please call (615) 884-5785 for assistance.

UNION JURISDICTIONS CINCINNATI, OH

To assist you in planning for your participation in this upcoming exposition, we are certain you will appreciate knowing in advance that union labor may be required for certain aspects of your exhibit handling. To help you understand the jurisdiction of the various unions, we ask that you read the following:

EXHIBIT INSTALLATION AND DISMANTLING:

Currently we have an agreement with the Local Stagehand Union to provide labor for display installation and dismantling. Full time employees of the exhibiting companies may set their own exhibits without the assistance of this Union. Any labor services that may be required beyond what your regular full time employees can provide must be rendered by the Union or an Exhibitor Appointed Contractor. Labor can be ordered in advance by returning the Display Labor Form, or at show site from the Freeman Service Center.

MATERIAL HANDLING:

Exhibitors and full time employees of exhibiting companies may hand carry their own materials into the exhibit facility. However, the use or rental of dollies, flat trucks, pallet jacks or other mechanical equipment is not permitted. Freeman has the responsibility of receiving and handling all exhibit materials and crates, with the exception of items Exhibitors hand carry. Freeman will control access to the loading docks in order to provide for a safe and orderly move in/out. Unloading or reloading at the dock of any and all contracted carriers will be handled by Freeman.

Vehicles must not be left unattended at the loading areas. Any unattended vehicles will be towed at the owner's expense.

Fire Marshal regulations absolutely prohibit the storage of empty containers in the exhibit hall. Arrangements have been made with Freeman to store empty crates and containers. Please refer to the Material Handling section of this manual for information regarding the handling of empties, disposal of skids, etc.

GRATUITIES:

Tipping is expressly prohibited. This includes such practices as giving money, merchandise or other special consideration for services rendered. Please do not give breaks other than mid-morning and mid-afternoon, when the union has a scheduled 15 minute paid break. Meal breaks are one hour. Any attempt to solicit a gratuity by an employee should be reported immediately to the Exhibit Manager or a Freeman Supervisor.

SAFETY:

Standing on chairs, tables or other rental furniture is prohibited. This furniture is not engineered to support your standing weight. Freeman cannot be responsible for injuries or falls caused by the improper use of this furniture. If assistance is required in assembling your booth, please order the appropriate labor on the Display Labor Form and the necessary ladders and tools will be provided.

LET US DO THE HEAVY LIFTING

Freeman specialists are ready to assist you with all of your exhibit requests, from beginning to end. And when it comes to installing and dismantling exhibits, we make no exceptions. Whether it's shipping and storage, emergency on-site repairs, basic installation and dismantling or support service coordination, including electrical, furnishings and more, Freeman has the resources and capabilities to ensure the most successful show experience possible.



Call customer service at the number listed on the Quick Facts. For fast, easy ordering, go to www.freeman.com

Freeman installation & dismantling experts work closely with you to coordinate every phase of your trade show participation, including:

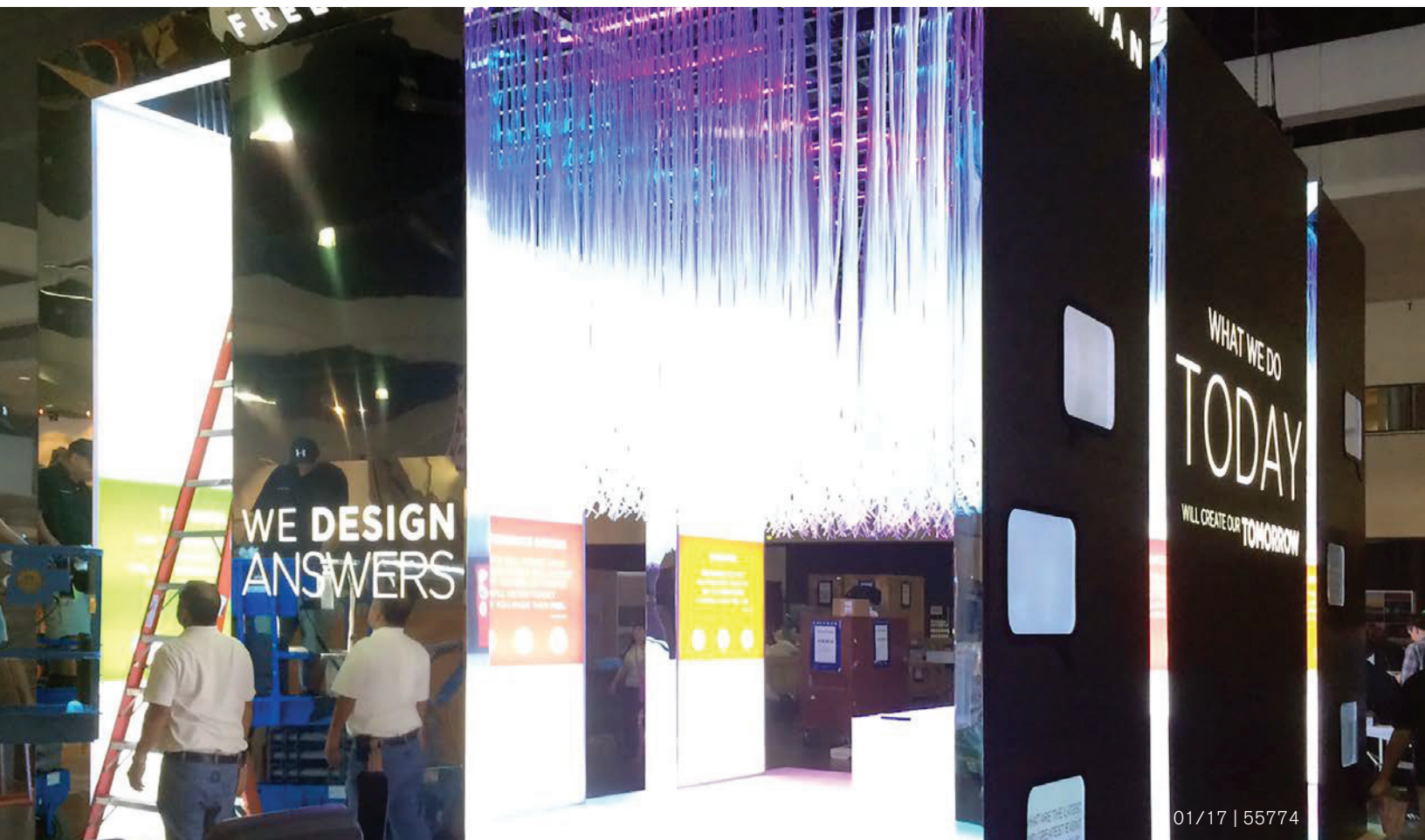
- Pre-planning and budget consultation
- Skilled labor coupled with support services coordination - electrical, furnishings, floral, transportation, and audio visual
- On-site supervisors with dedicated floor managers
- Full, in-house carpentry for emergency repairs and refurbishing
- Post-show evaluations focused on incremental improvement to meet rapidly changing market conditions based upon customer feedback
- Post-show evaluations that help identify small changes that make big impacts

ON-SITE SUPERVISION

You may wish to supervise labor on your own, but if you need assistance, Freeman installation & dismantling experts will get the job done as an extension of your team.

If You Use Freeman Staff

Exhibits can be set up prior to your arrival under the direction of Freeman I&D supervisors.



01/17 | 55774

FREEMAN

1701 Lebanon Pike Circle
Nashville, TN 37210

(615) 884-5785 • Fax: (469) 621-5615

INCLUDE THE FREEMAN METHOD OF PAYMENT FORM WITH YOUR ORDER

NAME OF SHOW: WEF ODORS & STORMWATER 2020 CONFERENCE / MARCH 15 - 18, 2020
 COMPANY NAME _____ BOOTH #: _____
 CONTACT NAME: _____ PHONE #: _____
 E-MAIL ADDRESS _____

For Assistance, please call 615-884-5785 to speak with one of our experts.

For fast, easy ordering, go to www.freeman.com

DISPLAY LABOR (One Hour Minimum per Worker)

Description	Advance Price	ShowSite Price
Straight Time- 8:00 A.M. to 4:30 P.M. Monday through Friday	\$ 104.25	\$146.00
Overtime- 6:00 A.M. to 8:00 A.M. and after 4:30 P.M. Monday through Friday; All day Saturday	\$ 156.50	\$219.25
Double Time- All day Sunday and recognized holidays	\$ 208.50	\$292.00

• **Show Site prices will apply to all labor orders placed at show site.**

- Price is per person/per hour.
- Start time guaranteed only at start of working day.
- One hour minimum per person - labor thereafter is charged in half (1/2) hour increments.
- Labor must be canceled in writing, 24 hours in advance to avoid a one (1) hour cancellation fee per worker.
- When scheduling dismantle labor, be sure to allow sufficient time for empty containers to be returned to your booth.
- Freeman supervised jobs will be completed at our discretion prior to show opening and before the hall must be cleared. **Please include setup plan/photo, special instructions & inbound shipping information with this order.**

INSTALLATION LABOR

Freeman Supervised Labor - Please complete the reverse side of this form.

- Installation of your exhibit will be completed at our discretion prior to show opening.
- The charge for this service is 30% of the total installation labor bill, with a minimum of \$45.00.

Emergency contact: _____ Phone Number: _____

Exhibitor Supervised Labor (Supervisor must check in at Service Desk to pick up labor)

Supervisor will be: _____ Phone Number: _____

Date	Start Time	No. of People	Approx. Hrs. per Person	Total Hrs.	Hourly Rate	Estimated Total Cost
_____	_____	_____	x _____ = _____	_____	@ \$ _____ = \$ _____	_____
_____	_____	_____	x _____ = _____	_____	@ \$ _____ = \$ _____	_____
_____	_____	_____	x _____ = _____	_____	@ \$ _____ = \$ _____	_____
Freeman Supervision (30%/\$45.00)						= \$ _____
Tax 7%						= \$ _____
Total Installation						= \$ _____

DISMANTLE LABOR

Freeman Supervised Labor - Please complete the reverse side of this form.

- Freeman is not responsible for product or literature that is not properly packed and labeled by exhibitor.
- The charge for this service is 30% of the total dismantle labor bill, with a minimum of \$45.00.

Emergency contact: _____ Phone Number: _____

Exhibitor Supervised Labor (Supervisor must check in at Service Desk to pick up labor)

Supervisor will be: _____ Phone Number: _____

Date	Start Time	No. of People	Approx. Hrs. per Person	Total Hrs.	Hourly Rate	Estimated Total Cost
_____	_____	_____	x _____ = _____	_____	@ \$ _____ = \$ _____	_____
_____	_____	_____	x _____ = _____	_____	@ \$ _____ = \$ _____	_____
_____	_____	_____	x _____ = _____	_____	@ \$ _____ = \$ _____	_____
Freeman Supervision (30%/\$45.00)						= \$ _____
Tax 7%						= \$ _____
Total Dismantle						= \$ _____

FREEMAN installation & dismantle labor

NAME OF SHOW: **WEF ODORS & STORMWATER 2020 CONFERENCE / MARCH 15 - 18, 2020**

COMPANY NAME: _____ BOOTH#: _____

CONTACT NAME: _____ PHONE#: _____

FREEMAN SUPERVISED LABOR

IN ORDER TO BETTER SERVE YOU - PLEASE COMPLETE THE FOLLOWING INFORMATION IF YOUR DISPLAY IS TO BE SET-UP AND/OR DISMANTLED BY FREEMAN I&D AND YOU WILL NOT BE PRESENT TO SUPERVISE THE INSTALLATION AND/OR DISMANTLE.

INBOUND SHIPPING & SET UP INFORMATION

Freight will be shipped to Warehouse _____ Show Site _____ Date Shipped _____

Total No. of: _____ Crates _____ Cartons _____ Fiber Cases _____

Setup Plan/Photo: Attached _____ To Be Sent With Exhibit _____ In Crate No. _____

Carpet: With Exhibit _____ Rented From Freeman _____ Color _____ Size _____

Electrical Placement: _____ Drawing Attached Drawing With Exhibit Electrical Under Carpet _____

Comments: _____

Graphics: With Exhibit _____ Shipped Separately _____

Comments: _____

Special Tools/Hardware Required: _____

OUTBOUND SHIPPING INFORMATION

SHIP TO: _____

Select a Carrier:

Freeman Exhibit Transportation:

Other Carrier:

No need to schedule your outbound shipment.

Carrier Name: _____

Charges will appear on your Freeman invoice.

Carrier Phone: _____

Freeman will make arrangements for all Freeman Exhibit Transportation shipments.

Arrangements for pick-up by other carriers is the responsibility of the exhibitor.

Select Level of Service:

1 Day: Delivery next business day

Standard Ground

2 Day: Delivery by 5:00 PM second business day

Specialized: Pad wrapped, uncrated or truckload

Deferred: Delivery within 3-5 business days

Freight Charges:

Same as ship to

Bill To: _____

Select Shipment Options (if applicable)

Have loading dock

Lift gate required

Inside delivery

Air ride required

Pad wrap required

Residential

Do not stack

In the event your selected carrier fails to show on final move-out day, please select one of the following options:

Re-route via Freeman's choice

Deliver back to the warehouse at exhibitor's expense

PLEASE NOTE: Freeman is not responsible for product or literature that is not properly packed and labeled by the exhibitor.

FREEMAN installation & dismantle labor

FREEMAN

1701 Lebanon Pike Circle
Nashville, TN 37210
(615) 884-5785 • Fax: (469) 621-5615

INCLUDE THE FREEMAN METHOD OF PAYMENT FORM WITH YOUR ORDER

NAME OF SHOW: **WEF ODORS & STORMWATER 2020 CONFERENCE / MARCH 15 - 18, 2020**

COMPANY NAME _____ BOOTH #: _____

CONTACT NAME: _____ PHONE #: _____

E-MAIL ADDRESS _____

For Assistance, please call 615-884-5785 to speak with one of our experts.

For fast, easy ordering, go to www.freeman.com

FORKLIFT RIGGING EQUIPMENT AND LABOR

Straight Time - 8:00 A.M. to 4:30 P.M. Monday through Friday
Overtime - 6:00 A.M. to 8:00 A.M. and after 4:30 P.M. Monday through Friday, and all day Saturday
Double Time - All day Sunday and recognized holidays

- **Show site prices will apply to all labor orders placed at show site**
- Start time guaranteed only at start of working day
- One hour minimum - labor thereafter is charged in half (1/2) hour increments
- Supervisor must check in at Freeman Service Center to pick up labor
- When scheduling dismantle labor, be sure to allow sufficient time for empty containers to be returned to your booth

Part#	Description	Advance Price	Show Site Price
FORKLIFT LABOR			
304050	Forklift w/operator - up to 5,000 lbs - ST.....	\$ 229.00	\$ 320.75
304051	Forklift w/operator - up to 5,000 lbs - OT.....	\$ 281.25	\$ 393.75
304052	Forklift w/operator - up to 5,000 lbs - DT.....	\$ 333.25	\$ 466.75
EQUIPMENT			
3090600	Forklift Cage.....	\$ 72.00	\$ 72.00
3090700	Forklift Boom.....	\$ 95.50	\$ 95.50
3090800	Pallet Jack.....	\$ 72.00	\$ 72.00

• For forklift requirements larger than 5,000 lbs, or if you need 4-stage equipment, please call (615) 884-5785.

INSTALLATION

Part #	Description	Date	Start Time	# of Equip/ Person	Approx Hrs per Person	Total Hours	Hourly Rate	Estimated Total Cost
Describe work to be done: _____							Sub-Total	
_____							Tax 7%	
							Total	

DISMANTLE

Part #	Description	Date	Start Time	# of Equip/ Person	Approx Hrs per Person	Total Hours	Hourly Rate	Estimated Total Cost
Describe work to be done: _____							Sub-Total	
_____							Tax 7%	
							Total	

FREEMAN forklift / rigging labor

Electrical Service

- All equipment regardless of source of power must meet federal, state and local safety codes.
The DECC reserves the right to refuse connection or to disconnect equipment deemed unsafe.
- Electrical service ordered is (1) connection point (outlet) for each service ordered. If additional outlets are needed, exhibitor may provide or rent a power strip to divide the purchased service, provided the service capacity purchased is not exceeded and safety is not compromised.
- Advance orders (*orders received 21 days in advance of move-in*) will receive priority service, however this **does not guarantee that the service(s) will be installed prior to exhibitor move-in.**
- Services ordered during exhibitor move-in may not be installed/completed before the show opens.
Orders will be processed and installations completed on a first-come, first-served basis.
- Service will be available once installed and remain on during show hours. Special arrangements for early connect and/or late disconnect must be made in advance. ***24 Hour Service available upon request**
- Unless otherwise specified, all non-vendor booth (Show Management requirements) electric and/or utilities will be installed on a time and materials basis.
Unless otherwise specified, all vendor booth electric and/or utilities will be installed at a single location (see service location fees below for specific or multiple location requirements)
In-Line or End-Cap Booth main service will be provided in the utility area behind your booth
Island Booth main service will be provided in the most convenient location for DECC installation
- Service Location Fees (apply to specific or multiple locations within booth):
Require a detailed booth layout or scaled drawing identifying
 - The "Main Drop"
 - Two dimensions (from end and side of booth) to each service location
 - The service required at each location
 - Surrounding aisle or booth numbers to determine booth orientation***Installation of services will NOT be started until this information is received**
Refer to Online Ordering, Exhibitor Services Order Form or Show Management Rate Sheet for prevailing rates
***Note: (Additional charges apply for: Terminating connections on vendor or client supplied equipment; Running utilities through structures; or under carpet installations AFTER carpet has been installed) (Installations for other than inside standard vendor booth locations will be charged at Time and Material rates. Examples are registration areas, lead retrieval areas, meeting rooms, etc.)**
- Requests for special voltage and/or other "special requirements" must be received by DECC 30 days prior to scheduled exhibitor move-in. Requests received within 30 days of show move-in will be filled based upon equipment and labor availability.
- All material and equipment furnished by the DECC shall remain the property of the DECC and shall be removed ONLY by DECC technicians at the close of show.
- Unless otherwise directed, DECC staff are authorized to cut floor coverings to permit installation of services.
- Electrical cords must be "Hard Service" 3 wire grounded type (SO, SPT, SJO, etc.) and free of damage.
Use of open clip sockets, zip cords, latex or lamp cord wire, "romex", household extension cords or unapproved duplex or triplex attachment plugs in exhibits are prohibited.
- All cords installed under carpet must be type SPT3 flat, 12 gauge or heavier. No round cords are permitted under carpet.
- DECC conducts an installation audit of power supplied. Clients using power or other services not ordered will be required to pay on site to continue service.
- Walls, columns and permanent building utility outlets are not a part of the booth space and are not to be used by exhibitors unless approved by the DECC.
- Obstructions blocking utility floor boxes are subject to relocation as necessary.
***No storage of any kind is permitted in utility space behind pipe and drape.**
- In providing services requested, neither the DECC, nor its officers, employees, agents, contractors nor subcontractors shall be liable to the Customer for any damages, including special, incidental, or consequential damages for loss, damage or expense, directly or indirectly arising from the Customer's use or inability to use the services herein requested, or for commercial loss of any kind (including loss of business or profits) whether or not the DECC has been advised of the possibility of such damage or loss.

Utilities (Water, Air, Natural Gas) - *Services only available in limited areas on the 1st Floor Exhibit Halls/Loading Dock

- Water, Air, and Natural Gas are NOT available on levels 2 or 3 of the Convention Center
- All equipment, regardless of source of power, must meet federal, state and local safety codes.
The DECC reserves the right to refuse connection or disconnect if equipment is deemed unsafe.
- Where applications require regulation of pressure, flow or moisture content, the exhibitor is responsible for supplying the necessary regulators, traps, separators, conditioners, etc.
- All equipment must be properly tagged or marked with appropriate requirements/tolerances regarding pressure, flow, capacity, rate of fill and/or other factors pertinent to safety.
- All material and equipment furnished by the DECC for this service order shall remain the property of the DECC and shall be removed ONLY by DECC technicians at the close of show.
- Unless approved by Show Management AND our Events Services department, service required to cross an aisle will not be installed.
- In providing services requested, neither the DECC, nor its officers, employees, agents, contractors nor subcontractors shall be liable to the Customer for any damages, including special, incidental, or consequential damages for loss, damage or expense, directly or indirectly arising from the Customer's use or inability to use the services herein requested, or for commercial loss of any kind (including loss of business or profits) whether or not the DECC has been advised of the possibility of such damage or loss.

Carpet Cleaning

- Service is based on total square footage of booth space (not carpet size) per day.
- Advance orders (*orders received 21 days in advance of move-in*) will receive priority service.
- Credit will not be given for services already completed.
- Payment in full must be received prior to service.
- In providing services requested, neither the DECC, nor its officers, employees, agents, contractors nor subcontractors shall be liable to the Customer for any damages, including special, incidental, or consequential damages for loss, damage or expense, directly or indirectly arising from the Customer's use or inability to use the services herein requested, or for commercial loss of any kind (including loss of business or profits) whether or not the DECC has been advised of the possibility of such damage or loss.

Payment

- Service orders and payment IN FULL must be received (21) days prior to the show move-in date to receive advance rate pricing, otherwise floor rate pricing will apply.
- Payment in full is due at time services are ordered.
- Arrangements for payment of Labor & Services must be made before service is installed.
- Credit will not be given for services installed and not used.
- Claims will not be considered unless filed in writing by the exhibitor prior to the close of show.
- Our Cancellation Policy is as follows:
 - If cancellation occurs before installation and more than 6 days prior to the first scheduled move-in day: 90% refund.
 - If cancellation occurs before installation and less than 6 days prior to the first scheduled move-in day: 75% refund.
 - If cancellation occurs after installation or after the start of the first scheduled move-in day: NO REFUND.
- Prices are based on current wage rates and subject to change without notice.

ODORS AND AIR POLLUTANTS

CALL FOR ABSTRACTS

2020



Exhibitor AV Order Form

Flat Panel Monitors—Mounts/Stand—Computer Equipment

Odors and Air Pollutants Cincinnati Exhibitor AV Order Form

Full Link:

https://www.cognitofrms.com/PrestigeAVCreativeServices/_2020OdorsAirPollutantsExhibitorAVOrderForm

Please contact us if you require any assistance placing your
order.

DECC@prestigeav.com

513.419.7343



AV Price List

Please visit our online form to order:

<https://www.cognitofrms.com/PrestigeAVCreativeServices/2020OdorsAirPollutantsExhibitorAVOrderForm>

Monitors:

	Advanced	Standard
90" Flat Panel 1080p Monitor	\$1,750.00	\$2,275.00
80" Flat Panel 1080p Monitor	\$1,050.00	\$1,365.00
70" Flat Panel 1080p Monitor	\$750.00	\$975.00
60" Flat Panel 1080p Monitor	\$500.00	\$650.00
50" Flat Panel 1080p Monitor	\$400.00	\$520.00
42" Flat Panel 1080p Monitor	\$300.00	\$390.00
32" Flat Panel 1080p Monitor	\$200.00	\$260.00

Video Accessories

	Advanced	Standard
Blu-ray Player	\$75.00	\$97.50
54". 48" or 34" Skirted Cart	\$50.00	\$65.00
LCD Pole Stand w/ Wheels	\$100.00	\$130.00

Computer Equipment

	Advanced	Standard
24" LCD Flat Panel Monitor	\$150.00	\$195.00
Notebook i5	\$175.00	\$227.50
Laser Printer (Black & White)	\$150.00	\$195.00

20% Service Charge applied to all orders

7% Tax applied to all orders (unless tax exempt certificate provided)

See online form for details.

Please contact us if you require any assistance placing your order. DECC@prestigeav.com

Duke Energy Convention Center

AUTHORIZATION REQUEST FOR FOOD & BEVERAGE

Spectra Food and Beverage has exclusive food and beverage distribution rights within
The Duke Energy Convention Center.

Ohio State Law prohibits any person or organization from bringing alcoholic beverages onto a licensed premise.

All alcoholic beverages for display or distribution **MUST** be purchased from *Spectra Food and Beverage*.

Event sponsoring organizations and/or their exhibitors may distribute sample food and/or beverage products
ONLY upon written authorization.

Duke Energy Convention Center exhibitors may distribute Food & Beverage samples in authorized space and must not be in competition with products or services offered by *Spectra Food and Beverage*. Samples must be representative of products manufactured or sold by the company exhibiting. Free samples are limited to 4 ounces of non-alcoholic beverage and 2 ounces of food. Exact descriptions of sample and portion size must be submitted to the Food and Beverage Office for written approval 14 days prior to the opening of the event. No alcoholic samples may be distributed. Any exhibitor giving away and/or selling food in their booth must have a permit and all appropriate fees on file with the Cincinnati Department of Health.

GENERAL CONDITIONS:

Items dispensed are limited to products manufactured, processed or distributed by exhibiting firm.

All Items are limited to "SAMPLE SIZE".

o Beverages limited to maximum 4oz. container

o Food items limited to "bite size" or 2oz.

o Food and/or beverage items used as traffic promoters (i.e. popcorn, coffee, bar services) **MUST** be purchased from *Spectra Food and Beverage*.

Product(s) you wish to dispense

Size of portion to be dispensed

SERVICE REQUIRED

Dry Storage: ___ No ___ Yes (\$150.00 per day) per pallet
___ Freezer ___ Refrigerator (\$40.00 per day)
___ 20lb. bag of ice @ \$10.00 per bag

Approved: _____ Approved: _____
Spectra Food and Beverage *Duke Energy Convention Center Manager*

Name of Event: _____ Date: _____

Booth No. _____

Company Name: _____ Phone No. _____
Address: _____

Show Manager Approval: _____ Date: _____

****Please send Sample Request Form to Catering Sales Manager- Kathy_Heyman@ComcastSpectacor.com or fax 513.419.7275****

Exhibitor Hospitality Menu

Spectra Food Services & Hospitality is the exclusive provider of food and beverages at the Duke Energy Convention Center. *Exhibitors are prohibited from bringing outside food and beverages into the facility. This rule will be strictly enforced.*

To place an order, please email the completed order form to steven_hennigan@comcastspectacor.com or fax your order to (513) 419-7275

Beverage Services

Freshly Brewed Starbucks Premium Coffees	\$45.00/Gal
Starbucks Tazo Teas	\$45.00/Gal
<i>*Coffee Service includes cups, creamers, sugar, artificial sweeteners, stir sticks and napkins (3GAL minimum)</i>	
Assorted 12 oz. Canned Pepsi Soft Drinks	\$66.00/cs.
Assorted 20 oz. Bottled Pepsi Soft Drinks	\$84.00/cs.
Bottled 20oz Aquafina Spring Waters	\$84.00/cs.
Assorted Bottled Fruit Juices	\$84.00/cs.
Fresh Brewed Ice Tea	\$30.00/Gal.
Lemonade	\$30.00/Gal.

Bakery Fresh Items

Assorted Danish and Pastries	\$34.00/Dz.
Assorted Muffins	\$34.00/Dz.
Assorted Bagels w/Cream Cheese	\$34.00/Dz.
Fresh Baked Cookies	\$32.00/Dz.
Fresh Baked Brownies	\$32.00/Dz.
Assorted Granola Bars	\$33.00 Dz
Candy Bars	\$30.00/Dz.

From The Kitchen

Domestic Cheese Display with Baguettes and Crackers (serves 20 ppl.)	\$80.00
Sliced Fresh Fruit Display (serves 20 ppl.)	\$105.00
Whole Fruit Basket (20 pieces)	\$50.00
Individual Bags of Chips, Pretzels	\$2.25 each
French Onion Dip (1-qt.)	\$16.00
Ranch Dip (1-qt)	\$13.00
Fresh Salsa (1 qt.)	\$16.00
Guacamole (1 qt.)	\$18.00
Mixed Nuts (2 lbs.)	\$58.00
Hard Candy or Mini Candy Bars (2 lbs.)	\$30.00
Server Attendant (per 4 hour period)	\$100.00

All catered events are subject to a 21% Management Charge and prevailing Cincinnati sales tax. This Management Charge is the sole property of the food/beverage service company or the venue owner, as applicable, is used to cover such party's costs and expenses in connection with the catered event (other than employee tips, gratuities, and wages), and is not charged in lieu of a tip. The Management Charge is not a tip, gratuity, or service charge, nor is it purported to be a tip, gratuity, or service charge, for any wait staff employee, service employee, service bartender, or other employee, and no part of the Management Charge will be distributed (as a tip, gratuity, or otherwise) to any employee who provides service to guests.

A \$25.00 delivery fee will be applied for orders under \$250.00.

Exhibitor Hospitality Menu

Specialty Carts

Ice Cream

Ice Cream Freezer Rental	\$50.00 per day
Premium Ice Cream and Frozen Fruit Bars	\$4.00 each
Graeter's Ice Cream Cups	\$7.50 each
Magnum Bars	\$6.00 each

Gourmet Soft Pretzel Display

Pretzel Warmer/Display Case Rental	\$90 per day
Salted or Unsalted Gourmet Soft Pretzels	\$4.00 each
Set-up includes Mustard, Napkins and Deli Paper (minimum order of 100 pretzels)	

Old-Fashioned Popcorn Cart

Popcorn Machine Rental	\$400 per day
Popcorn Kits (oil, flavored salt & popcorn kernels)	
Set-up includes Bags and Napkins	
Popcorn for 4 Hours Service	

Water Cooler Service

Water Cooler Rental (Includes 1-5 Gal. Jug)	\$130 per day
Additional 5-Gallon Bottle	\$30.00 each
Set-up includes 9 oz. cups	

Ice Service

20 lb. Bag of Ice	\$25.00 per bag
20 Gallon Igloo Cooler Rental	\$15.00 per day
*Client may supply container	

Box Lunches

To include; choice of Turkey, Roast Beef or Vegetarian Wrap, Kettle Chips, Whole Fruit and Gourmet Jumbo Cookie (Minimum order of 10 required)	\$18.00 each
--	--------------

Food Vouchers

Upon request, Spectra will be happy to provide food vouchers that can be used at all concession outlets. You can assign these vouchers with a spending limit and when your staff or customers use the vouchers, you will be billed only for the retail amount used. These vouchers will not have a cash value.

All catered events are subject to a 21% Management Charge and prevailing Cincinnati Sales Tax. This Management Charge is the sole property of the food/beverage service company or the venue owner, as applicable, is used to cover such party's costs and expenses in connection with the catered event (other than employee tips, gratuities, and wages), and is not charged in lieu of a tip. The Management Charge is not a tip, gratuity, or service charge, nor is it purported to be a tip, gratuity, or service charge, for any wait staff employee, service employee, service bartender, or other employee, and no part of the Management Charge will be distributed (as a tip, gratuity, or otherwise) to any employee who provides service to guests..

A \$25.00 delivery fee will be applied for orders under \$250.00.

**INFORMATION AND PAYMENT POLICIES
PLEASE SEE THE ORDER FORM ATTACHED**

The exhibitor hospitality menu features some of our most requested items. While they are suggestions, we will be glad to custom design a menu to suit your particular needs. Please request a copy of our catering menus to view more options.

SPECTRA FOOD SERVICES will use high-grade disposable ware on the Exhibit Hall floor.

A 100% advance payment is required at the time your order is placed. Spectra accepts: American Express, Master Card and Visa.

A \$25.00 delivery fee will be applied for orders under \$250.00, not including service charges or sales tax.

On-site orders or re-orders are subject to product availability. Re-orders require a 45-minute advanced notice.

Client is responsible for ordering all necessary electricity. Electricity is ordered directly through the Duke Energy Convention Center.

DAY / DATE	START TIME	END TIME	ITEM DESCRIPTION	ITEM PRICE	TOTAL
SHOW NAME:		BOOTH #	ORDERED BY:	ONSITE CONTACT:	
NAME			PHONE	SUB TOTAL	\$
EMAIL				DELIVERY FEE IF LESS THAN \$250	\$
COMPANY			FAX	Management Charge (21%)	\$
ADDRESS				SUB TOTAL	\$
CITY				SALES TAX (7%)	\$
STATE			ZIP	TOTAL DUE	\$



SPECTRA
BY COMCAST SPECTACOR

CREDIT CARD AUTHORIZATION PLEASE FAX CREDIT CARD AUTHORIZATION TO (513)419-7275 – PLEASE DO NOT EMAIL

COMPANY NAME _____

PLEASE PRINT CLEARLY THE FOLLOWING INFORMATION:

CARDHOLDER'S NAME: _____

ADDRESS: _____

PHONE: _____

PLEASE CIRCLE WHICH TYPE OF CARD BELOW:

“P” CARD OR PURCHASING CARD

CORPORATE CARD

CONSUMER OR PERSONAL CARD

A GOVERNEMENT ISSUE CARD:

PLEASE CIRCLE ONE:

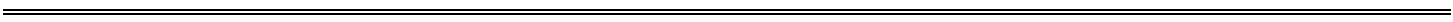
AMERICAN EXPRESS, VISA, MASTERCARD

OUTSTANDING AMOUNT TO BE CHARGED TO CREDIT CARD \$ _____

CARD NUMBER: _____

EXPIRATION DATE: _____

AUTHORIZATION CODE: _____



Duke Energy Convention Center

ELECTRICAL RATE SHEET

****Requests made at least 21 days in advance of the first contractual/move-in date will receive the advanced rate, otherwise the floor rate will apply. For specifications, special adapters and connections please call Exhibitor Services 513-419-7317.**

Electrical Services

Type	Advance Rate	Floor Rate
120 volt 5amp	\$65	\$130
120 volt 10amp	\$80	\$145
120 volt 15amp	\$95	\$160
120 volt 20amp	\$110	\$175
120 volt 30amp	\$150	\$225
Single Phase		
208 volt 20amp	\$175	\$350
208 volt 30amp	\$225	\$410
208 volt 50amp	\$250	\$610
208 volt 60amp	\$375	\$615
208 volt 100amp	\$575	\$700
208 volt 200amp	\$1,100	\$1,600
208 volt 400amp	\$1,350	\$1,900
Three Phase		
208 volt 20amp	\$225	\$525
208 volt 30amp	\$325	\$565
208 volt 50amp	\$425	\$840
208 volt 60amp	\$500	\$850
208 volt 100amp	\$725	\$1,250
208 volt 200amp	\$1,250	\$1,750
208 volt 400amp	\$1,600	\$2,100
Connector		
277/480 Volt		
20amp (L22-20)	\$500	\$750
30amp (L22-30)	\$550	\$800
No Connector		
277/480 Volt		
40 amp	\$600	\$850
60 amp	\$750	\$950
100 amp	\$1,100	\$1,300
Lighting Scene	\$60	\$60

Electrical Equipment

Type	Advance Rate	Floor Rate
Extension Cord (15', 25', 50')	\$20	\$35
Power Strip	\$20	\$35
Tri-Tap (3 outlets)	\$10	\$15
Adapters	\$25	\$50
Camlock (adapter) (Pin & Sleeve Connector Pole)	\$50	\$75
Festoon Cable	\$50	\$75
Gaffers Tape	\$30	\$40
Disconnect Switch	\$100	\$150
1 lamp pole light	\$85	\$85
2 lamp pole light	\$90	\$90
3 lamp pole light	\$95	\$95
4 lamp pole light	\$100	\$100

Labor

Type	Advance Rate	Floor Rate
One Location Only (Complete & Submit Booth Layout Form)	\$60	\$90
More than one Location Within Booth (Complete & Submit Booth Layout Form)	\$40 each	\$60 each
More than 10 Locations Within Booth (Complete & Submit Booth Layout Form)	\$35 each	\$60 each
Technical Labor (M-F 8a-5p)	\$60/HR	\$60/HR
Technical Labor (Nights/Weekends)	\$110/HR	\$110/HR

***Service Location Labor refers to the # of locations you will require power within your booth. Labor must be ordered if more than one location of electric is needed.**

**Please Note:

- Equipment is subject to applicable Ohio State sales tax (7.00%).
- Rates, equipment and/or services are subject to change prior to Licensee agreement.
- All materials and equipment furnished by the DECC shall remain the property of the DECC and shall be removed only by the DECC at the close of the show.
- Equipment not returned is subject to the rental rate plus the replacement cost.

Wattage Reference Guide

Note: The wattage's given below are estimates. The actual wattage required for your appliances may differ from those listed. Check the nameplate on the appliance to determine the actual wattage required.

Tool or Appliance	Running Wattage	Ampage
Air Compressor -1 HP	1600	20amp
Air Compressor -1/4 HP	975	10amp
Belt Sander	1200	15amp
Bench Gridner 6"	720	10amp
Bench Gridner 8"	1400	15amp
Bench Grinder 10"	1600	20amp
Blender	375	5amp
Blow Dryer	1500	15amp
Cash Register	100-200	5amp
Chain Saw, electric - 14"	1200	15amp
Coffee Maker	1200	15amp
Copier	1501-2000	20amp
Copier(desktop)	501-1000	10amp
Electric Drill - 1/2"	600	10amp
Electric Drill - 3/8"	440	5amp
Electric Oven/Grill*	1500	15amp
Electric Stove - 8" Element*	2100	30amp
Electric Stove- 6" Element*	1500	20amp
Fan	200	5amp
Food Processor/Juicer	400	5amp
Food Processor/Juicer (large)	1500	15amp
Freezer upright	600	10amp
Heat Lamp (single bulb)*	250	5amp
Home Theater Receiver	250	5amp
Hot Plate*	1200	15amp
Inflatables* (dependent on size)	501-2000	10amp-20amp
Iron*	1100	15amp
Laptop	800	10amp
Lead Retrieval	1-500	5amp
Light Bulb- 65 watts	65	5amp
Light Bulb- 75 watts	75	5amp
Light-Quartz Halogen - 1,000	1,000	10amp
Light-Quartz Halogen - 300	300	5amp
Light-Quartz Halogen - 500	500	5amp
Microwave Oven - 1000 Watt*	1000	10amp
Microwave Oven - 625 Watt*	625	10amp
Money Blowing Booth	1501-2000	20amp
Monitor	1-500	5amp
Photobooth	501-1000	10amp
Plasma screen up to 50"	375-500	5amp
Popcorn Machine	1501-2000	20amp
Printer- Inkjet	80	5amp
Printer- LASER	900-1200	10-15amp
Radio	300	5amp
Refrigerator 19 cu ft	500	5amp
Refrigerator 21 cu ft	850	10amp
Scanner	1500	15amp
Steamer*	1500	15amp
Stereo Receiver	450	5amp
Stereo System	100	5amp
Sump Pump - 1/2 HP	1050	15amp
Sump Pump - 1/3 HP	800	10amp
Table saw/Radial Arm Saw - 10"	2000	20amp
Toaster*	1000	10amp
Toaster oven*	1500	15amp
TV - color 27"	500	5amp
TV- small	200	5amp
VCR/DVD Player	100	5amp
Water Cooler	200	5amp
Water cooler with Hot Water	600	10amp
Water Well Pump - 1/3 HP	1000	10amp
X-Box, PlayStation	740	10amp

* Indicates appliance requires advanced approval from DECC or may require fire department approval.

Duke Energy Convention Center

COMPANY:			BOOTH #	
EVENT:				
LOCATION:	DUKE ENERGY CONVENTION CENTER	DATES:		
ADVANCE RATE DEADLINE:		EVENT ID #:		
<i>Are you submitting your order before the deadline? Y or N (21 days prior to Move-In Date)</i>				

Electrical Services

Quantity	Item Description	Advance Price	Floor Price	Amount Due
	120 Volt 5 amp (0-500 watts)	\$65.00	\$130.00	
	120 Volt 10 amp (501-1000 watts)	\$80.00	\$145.00	
	120 Volt 15 amp (1001-1500 watts)	\$95.00	\$160.00	
	120 Volt 20 amp (1501-2000 watts)	\$110.00	\$175.00	
	208 Volt Single Phase 20 amp	\$175.00	\$350.00	
	208 Volt Single Phase 30 amp	\$225.00	\$410.00	
	208 Volt Single Phase 50 amp	\$250.00	\$610.00	
	208 Volt Single Phase 60 amp	\$375.00	\$615.00	
	208 Volt Three Phase 20 amp	\$225.00	\$525.00	
	208 Volt Three Phase 30 amp	\$325.00	\$565.00	
	208 Volt Three Phase 50 amp	\$425.00	\$840.00	
	208 Volt Three Phase 60 amp	\$500.00	\$850.00	
Total A:				

Pricing includes service to the back of your booth for the duration of the show.

No excess storage or utility space is available behind your booth.

All island booths must indicate their "Main Drop" location on their floor plan. Main Drops are made from overhead/ceiling. Your main drop is included in the price of the service.

***Is your booth larger than 20x20? ***

If yes, a scaled drawing is required with submittal.

Orders will not be processed if any information is missing. All information must be received before the advance rate deadline date to receive the advance rate. See *Terms and Conditions*.

Don't see what you need? Call us! Additional products and services are available.

If 24 Hour Service is needed, please contact us for pricing.

Payment in full must be received before service is provided

Return completed forms to:

Attn: Exhibitor Services

525 Elm St., Cincinnati, OH 45202

Phone: (513) 419-7317 Fax: (513) 419-7327

Equipment- 7% tax is charged on all equipment rentals

Quantity	Item Description	Advance Price	Floor Price	Amount Due
	Extension Cord (Circle One): 15', 25', 50'	\$20.00	\$35.00	
	Power Strip (5 outlets)	\$20.00	\$35.00	
	Tri-Tap (3 outlets)	\$10.00	\$15.00	
	Festoon Cable (Circle One): 25', 50', 75'	\$50.00	\$75.00	
	Gaffers Tape (For purchase Only)	\$30.00	\$40.00	
	Power Disconnect Switch 480 Volt (Installation Not Included, See Labor Below)	\$100.00	\$150.00	
	Adaptors (Twist Lock, Straight Blade)	\$25.00	\$50.00	
	Adaptors (Camlock)	\$50.00	\$75.00	
Subtotal B:				
Tax (7%):				
Total B:				

Company Name: _____
 Phone #: _____
 Company Address _____
 City: _____ State: _____ Zip: _____
 Ordered By: _____
 E-Mail Address: _____
***All receipts will be sent via email.**

Labor

Item Description	Advance Price	Floor Price	Amount Due
One Location Only <i>(Complete and Submit Booth Layout Form)</i>	\$60.00	\$90.00	
More Than One Location Within Booth <i>(Complete and Submit Booth Layout Form)</i>	\$40.00 Each	\$60.00 Each	
More than 10 Locations Within Booth <i>(Complete and Submit Booth Layout Form)</i>	\$35.00 Each	\$60.00 Each	
Technical Labor-M-F 8a-5p	\$60/HR		
Technical Labor-Nights/Weekend	\$110/HR		
Total C:			

Payment Type (Circle One): Visa MC Amex Check
 (make checks payable to Duke Energy Convention Center)

Card Holder Name: _____
 Acct. #: _____
 Exp. Date: _____ Sec Code: _____
 Card Holder Address: _____
 City: _____ State: _____ Zip: _____
****Card Holder Signature:** _____
 Date: _____

****I also authorize any unpaid balances to be charged to the credit card provided.**

By returning this form, customer agrees to all Terms and Conditions (see Terms and Conditions). DECC reserves the right to correct orders that have been totaled incorrectly. Rates are subject to change without notice.

*Service Location Labor refers to each individual location where power is needed within your booth according to your floor plan or booth layout form submitted.

*Revised-July 2016

TOTAL PAYMENT DUE: \$

Unless otherwise specified, all power and/or utilities will be installed at a single location:
 At the back of the booth (in-line or end-cap booths), or in the most convenient location for DECC. (island booths).
 Service Location Labor refers to each point where services are placed within your booth. (see order form)
Please show desired service locations using legend below.
 Additional charges will apply if electrical service is needed in specific/multiple location(s) within your booth
 and/or connection to exhibitor equipment or ran through structures.

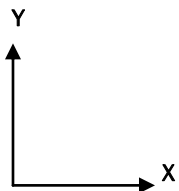
For Additional Information please refer to DECC Terms and Conditions

Adjacent Booth #

Adjacent Booth #

Adjacent Booth #

Adjacent Booth #



M Main Drop	5 120V 5AMP	10 120V 10AMP	15 120V 15AMP	20 120V 20AMP	20 208V 20AMP	30 208V 30AMP	A Compressed	W Water	SR Special
--	--	--	--	--	--	--	---	--	---

***On-site contact information will be used if our engineers need clarification on service location.**

Event: _____ Booth #: _____ Booth Size: _____ Move-In Date: _____

Company Name: _____ Email: _____

On-Site Contact: _____ Cell Phone: _____

Is your Booth Carpeted?: _____ Date of Carpet Install: _____



Richards Convention Florist, LLC
 d/b/a **TEASLEY'S CONVENTION FLORIST**
 TAXPAYER ID # 20-8142614
 1813 GOLF CLUB ROAD
 OLD HICKORY, TN 37138
 PHONE: (615) 876-3695 – FAX: (615) 876-9378
 INFORMATION: leigh@conventionflorist.com
 WEB: www.conventionflorist.com
 Like us on Facebook

<u>QUANTITY</u>	<u>ITEM</u>	<u>PRICE</u>	<u>TOTAL</u>
_____	FLORAL ARRANGEMENTS (Designers Choice, NO EXHIBITOR INPUT)	\$ 60.00 to \$85.00 (Price variation denotes size)	_____
_____	FLORAL ARRANGEMENTS (Custom – Call, fax or email your requirements for quote)	\$ 85.00 & Up	_____
_____	BLOOMING PLANTS (Mums, Rieger Begonia or Kalanchoe as available)	\$ 25.00	_____
_____	BROMELIADS (As Available)	\$ 35.00	_____
_____	LARGE POTTED FERNS	\$ 35.00	_____
_____	18" TROPICAL PLANTS	\$ 32.50	_____
_____	2' TROPICAL PLANTS	\$ 37.50	_____
_____	3' TROPICAL PLANTS	\$ 47.50	_____
_____	4' TROPICAL PLANTS	\$ 57.50	_____
_____	5' TROPICAL PLANTS	\$ 67.50	_____
_____	6' TROPICAL PLANTS	\$ 77.50	_____
_____	7' - 8' TROPICAL PLANTS	\$ 97.50	_____
_____	SPECIALTY CONTAINERS & PLANTERS (Contact us for a quote)		_____
		DELIVERY CHARGE	\$ 10.00
		TOTAL	_____

Credit Card Receipts will be emailed the day you are charged. Please set your spam filter to receive from leigh@conventionflorist.com.

Prices are subject to change without notice. There is a significant price increase for on-site orders.

BOOTH NUMBER: _____ SHOW SITE: _____

SHOW NAME: _____ SHOW DATE: _____

EXHIBITOR NAME: _____

STREET ADDRESS: _____

CITY/STATE/ZIP CODE: _____

CONTACT PERSON/PHONE: _____

FAX/E-MAIL: _____

●RENTAL POLICY

1. Orders should be received at least 7 days prior to show opening to facilitate material availability.
2. Cancellations must be received at least 7 days prior to show opening.
3. Items missing from the booth are the responsibility of the exhibitor and an additional charge will be applied.
4. Substitutions may be necessary due to material availability.
5. Rental price includes a decorative container, top dressing, as needed, installation and pickup.

●PAYMENT POLICY

1. We accept company checks and all major credit cards. All amounts due are payable in U.S. Funds. DIRECT BILL IS NOT A PAYMENT OPTION.
2. FULL PAYMENT MUST ACCOMPANY ORDER.

●METHOD OF PAYMENT

AMERICAN EXPRESS® _____ MASTERCARD® _____ VISA® _____ DISCOVER® _____ CHECK ENCLOSED _____ PAYMENT MUST ACCOMPANY ORDER. ORDERS NOT ACCOMPANIED BY A CHECK OR CREDIT CARD INFORMATION WILL NOT BE DELIVERED.

CARD # _____ EXP. DATE _____ 3 or 4 DIGIT SECURITY CODE: _____

NAME AS SHOWN ON CARD: (Please Print) _____

CREDIT CARD BILLING ADDRESS: _____

(If different from above)

BILLING ADDRESS LINE 2: _____

CARDHOLDERS SIGNATURE: (Required) _____

****Requests made at least 21 days in advance of the first contractual/move-in date will receive the advanced rate, otherwise the floor rate will apply. For specifications, special adapters and connections please call Exhibitor Services 513-419-7317.**

Utility Services

<u>Type</u>	<u>Advanced Rate</u>	<u>Floor Rate</u>
Water Connection (1/2" or 3/4")	\$125	\$230
Water Fill Gravity Drain		
1-100 Gallons	\$100	\$150
101-500 Gallons	\$125	\$200
501-1000 Gallons	\$200	\$300
Over 1000 Gallons	\$0.15 per gallon	\$0.30 per gallon
Drain Line (1/2" or 3/4")	\$100	\$200
Water Pump Out (Submersible Pump)	\$50	\$100
Portable Sink	\$300	\$450
Compressed Air (3/8" Line with 1/4" or 3/8" Coupler)	\$150	\$300
*Only available in Halls A/B/C on Level 1		
*Pressure Regulator or Moisture Control is Not Provided		
Natural Gas	\$225	\$350
*only available in Halls A/B along column line on Level 1		
*Please contact DECC Engineering prior to ordering		

Vacuuming & Porter Services

<u>Type</u>	<u>Advanced Rate</u>	<u>Floor Rate</u>
Booth Carpet Cleaning (Sq. Ft. = Width x Depth of Booth)	\$0.25 per Sq. Ft./Day	\$0.35 per Sq. Ft./Day
Aisle Carpet Cleaning (Linear Ft. = Carpet Length)	\$0.07 per Linear Ft./Day	\$0.07 per Linear Ft./Day
Porter Service (Trash Removal, Wipe Down, Pan & Broom)	\$20 per Day	\$20 per Day

****Information about Services:**

- If 24 Hour Service is needed, please contact us for pricing.
- Carpet Cleaning charges are based on the gross square footage of the exhibit booth space.
- Rates, equipment and/or services are subject to change prior to Licensee agreement.
- All materials and equipment furnished by the DECC shall remain the property of the DECC and shall be removed only by the DECC at the close of the show.
- Equipment not returned is subject to the rental rate plus the replacement cost.

Duke Energy Convention Center

COMPANY:		BOOTH #	
EVENT:			
LOCATION:	DUKE ENERGY CONVENTION CENTER	DATES:	
ADVANCE RATE DEADLINE:		EVENT ID #:	
<i>Are you submitting your order before the deadline? Y or N (21 days prior to Move-In Date)</i>			

Utility Services

Item Description	Advance Price	Floor Price	Amount Due
Compressed Air 3/8" line with 1/4" Coupler <small>(Only available in Halls A/B/C on Level 1) (Pressure Regulator or Moisture Control is Not Provided)</small>	\$150.00	\$250.00	
Compressed Air 3/8" line with 3/8" Coupler <small>(Only available in Halls A/B/C on Level 1) (Pressure Regulator or Moisture Control is Not Provided)</small>	\$150.00	\$250.00	
Natural Gas Service <small>(only available in Halls A/B along column line on Level 1) *Please contact DECC Engineering prior to ordering</small>	\$225.00	\$375.00	
Water Connection 1/2' or 3/4" connection; 45-60 PSI <small>(Level 1 Only) (Garden Hose Connection-No Drain Provided)</small>	\$125.00	\$200.00	
Drain Line-1/2" or 3/4" <small>(Garden Hose Connection) (Lines May Not Cross Aisles or Doorways, Contact DECC Prior to Ordering)</small>	\$100.00	\$200.00	
Water Fill and Gravity Drain One Time Up to 100 gallons <small>(Pumping Out is Not Included)</small>	\$100.00	\$150.00	
Water Fill and Gravity Drain One Time 101-500 gallons <small>(Pumping Out is Not Included)</small>	\$125.00	\$200.00	
Water Fill and Gravity Drain One Time 501-1,000 gallons <small>(Pumping Out is Not Included)</small>	\$200.00	\$300.00	
Water Fill Additional over 1,000 Gallons <small>(Add Per Gallon)</small>	\$0.15	\$0.25	
Water Pump Out Service Using submersible Utility Pump <small>(15-20 Gallons Per Minute Capacity)</small>	\$50.00	\$100.00	
Total A:			

Pricing includes service to the back of your booth for the duration of the show.

No excess storage or utility space is available behind your booth.

All island booths must indicate their "Main Drop" location on their floor plan. Main Drops are made from overhead/ceiling. Your main drop is included in the price of the service.

Is your booth larger than 20x20?

If yes, a scaled drawing is required with submittal.

Orders will not be processed if any information is missing. All information must be received before the advance rate deadline date to receive the advance rate. See Terms and Conditions.

Don't see what you need? Call us! Additional products and services are available.

If 24 Hour Service is needed, please contact us for pricing.

Payment in full must be received before service is provided.

Return completed forms to:

Attn: Exhibitor Services
525 Elm St., Cincinnati, OH 45202
Phone: (513) 419-7317 Fax: (513) 419-7327

Company Name: _____
 Phone #: _____
 Company Address _____
 City: _____ State: _____ Zip: _____
 Ordered By: _____
 E-Mail Address: _____

***All receipts will be sent via email.**

Carpet Cleaning

Daily Vacuuming Booth size _____ x _____ = _____ sq. ft. Sq. Ft. X \$0.25 = \$ _____ Per Day Number of Days _____ Dates _____	Cost per day multiplied by the number of days will give you your total cost.
* Please note the days you would like your booth vacuumed, and any additional special instructions.	Total B:

Carpet Cleaning Services

CHARGES BASED ON GROSS SQUARE FOOTAGE OF EXHIBIT BOOTH SPACE.

Credits/cancellations for cleaning will not be considered unless filed at the Service Desk in writing prior to show cleaning.

Porter Service

Item Description	Advance Price	Floor Price	Amount Due
Porter Service*	\$20/Day	\$30/Day	
Total C:			
Number of Days _____ Dates _____			

*Trash removal, counter wipe down, & pan/broom

*Revised July 2016

TOTAL PAYMENT DUE:	\$
---------------------------	----

Payment Type (Circle One): Visa MC Amex Check
(make checks payable to Duke Energy Convention Center)

Card Holder Name: _____
 Acct. #: _____
 Exp. Date: _____ Sec Code: _____
 Card Holder Address: _____
 City: _____ State: _____ Zip: _____

****Card Holder Signature:**

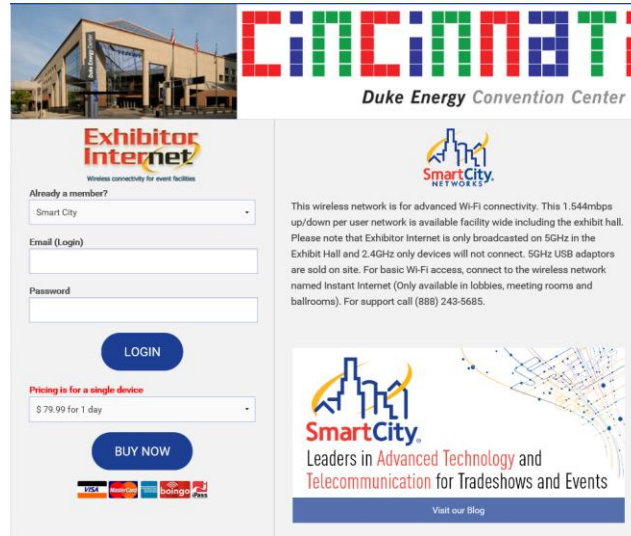
_____ Date: _____

****I also authorize any unpaid balances to be charged to the credit card provided.**

By returning this form, customer agrees to all Terms and Conditions (see Terms and Conditions). DECC reserves the right to correct orders that have been totaled incorrectly. Rates are subject to change without notice.

Smart City Wireless Services • Duke Energy Convention Center Wi-Fi Quick Access Guide

Exhibitor Internet is a self-service option you may purchase at any time.



- Connect your device to the Network/SSID: **Exhibitor Internet**
- Open your browser (*Internet Explorer, Firefox, or other standard browser*).
- You should see a page resembling the graphic shown.*
- If this is your initial purchase, select the desired package (1, 3 or 5 day) and click BUY NOW. Fill in required info to complete your purchase. Refer to service options and limitations shown to the right.
- If you have already created an account and are returning for an additional session, type in your Email (Login) and Password and then click LOGIN.
- *Please note User Name and Password are Case Sensitive.*
- **Please make sure that your device is 5 GHz capable.**

*If you do not see the above screenshot when you open your browser please refresh your browser. If you still do not see this page you may need to manually select the SSID (network name) by following your computer's procedure for viewing and selecting a wireless network. The Smart City SSIDs you are looking for is "Exhibitor Internet"...

Exhibitor Internet is available throughout the convention center. Price is as follows:

24-hr clock period	\$79.99
3 days	\$159.99
5 days	\$239.99

For support, Please call Arnold Chavez @ **513 266 8104**