

CheckMate Inline Check Valve

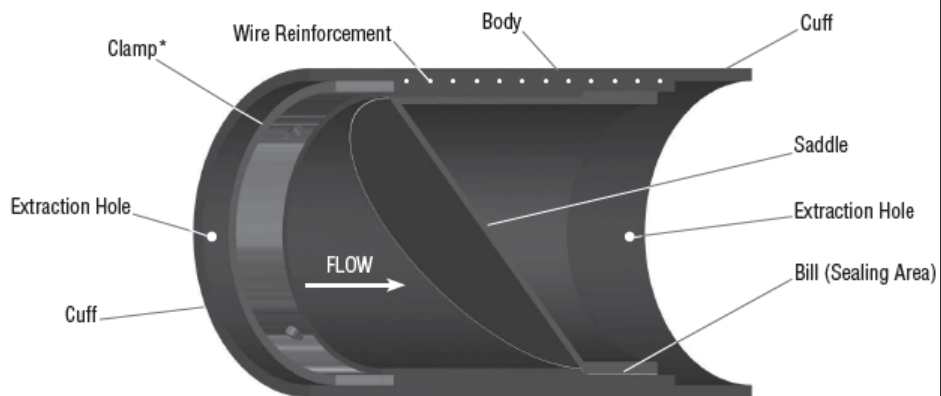


Tideflex
Technologies

Red Valve Company



CheckMate Check Valve



Tideflex
Technologies

Red Valve Company



CheckMate Inline Check Valve



Tideflex
Technologies

Red Valve Company



System Challenges

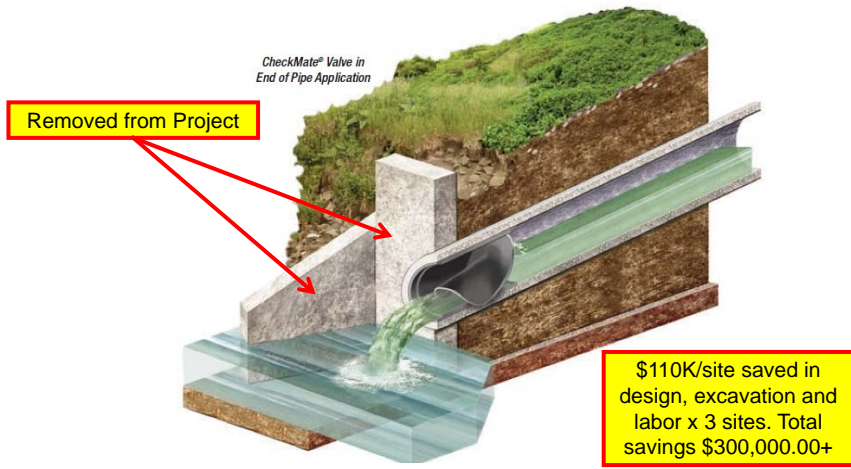
- CSO communities are looking for a long term approach to prevent overflows Municipalities face system and financial challenges in reaching their goal(s).
- System challenges in the collection system:
 - Inflow and infiltration → reduces capacity
 - Connections → residential/commercial growth
 - Undersized Pipes → frequent CSO events

Tideflex
Technologies

Red Valve Company



CheckMate = Cost Savings



Influent and Effluent Pipe Installations in Manhole



CheckMate Sizes



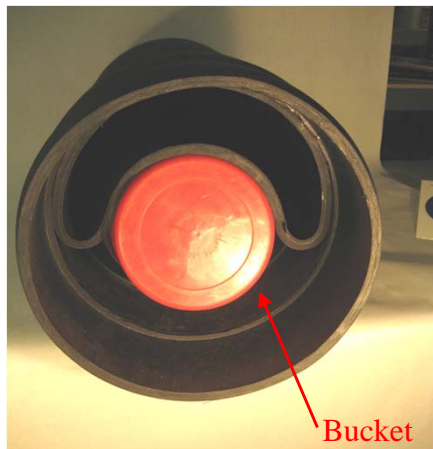
		CHECKMATE® VALVE										
		NOMINAL PIPE SIZE I.D.		OVERALL LENGTH*		NUMBER OF CLAMPS	CLIFF DEPTH		BACK PRESSURE RATING**		WEIGHT	
		Inches	Millimeters	Inches	Millimeters		Inches	Millimeters	Feet	Meters	lbs	Kg
Low Pressure	3	75	5.1	130	1	1.5	38	5	1.5	1.5	0.7	
	4	100	7.9	201	1	1.5	38	5	1.5	1.5	0.7	
Standard Pressure	3	75	5.1	130	1	1.5	38	85	26.0	3	1.4	
	4	100	7.9	201	1	1.5	38	85	26.0	3	1.5	
	5	125	9.5	241	1	1.5	38	83	25.3	4	2	
	6	150	11.0	279	1	2.0	51	83	25.3	9	4	
	7	175	12.8	325	1	2.0	51	79	24.1	11	5	
	8	200	15.2	386	1	2.0	51	79	24.1	13	6	
	9	225	15.4	391	1	2.0	51	75	22.9	17	8	
	10	250	16.1	409	1	2.0	51	71	21.6	20	10	
	12	300	19.8	503	1	2.0	51	68	20.1	37	17	
	14	350	25.8	655	1	4.0	102	64	20.0	110	50	
	16	400	28.6	726	1	4.0	102	60	18.3	133	52	
	18	450	31.0	787	1	4.0	102	56	17.1	143	65	
	20	500	42.1	1069	2	8.0	203	53	16.2	223	102	
	24	600	47.5	1207	2	8.0	203	45	13.7	304	137	
	30	750	54.9	1395	2	8.0	203	38	11.6	500	227	
	36	900	62.3	1582	2	8.0	203	30	9.1	628	276	
42	1050	70.6	1793	2	8.0	203	26	7.9	1423	646		
48	1200	79.0	2007	2	8.0	203	23	7.0	1801	817		
54	1350	86.4	2195	2	8.0	203	17	5.2	2700	1225		
60	1500	96.8	2459	2	9.0	229	15	4.6	3315	1504		
72	1800	119.0	3023	3	12.0	305	13	4.0	6100	2767		
78	1950	119.0	3023	3	12.0	305	13	4.0	7000	3176		



Red Valve Company



CheckMate Inline Check Valve



Red Valve Company



CheckMate Manufacturing



Tideflex
Technologies

Red Valve Company



CheckMate In-House Flow Testing



Tideflex
Technologies

Red Valve Company



CheckMate In-House Flow Testing



Tideflex
Technologies

Red Valve Company



6", 12", 24" CheckMate Independent Flow Testing at Utah State University



Tideflex
Technologies

Red Valve Company



In-House Backpressure Testing

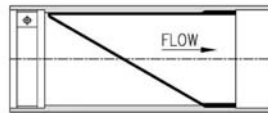


Tideflex
Technologies

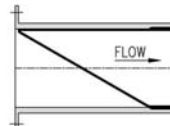
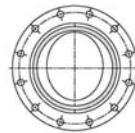
Red Valve Company



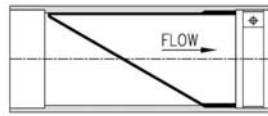
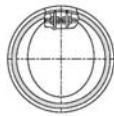
CheckMate Installation Options



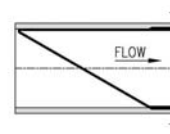
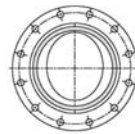
UPSTREAM CLAMP



UPSTREAM FLANGED



DOWNSTREAM CLAMP



DOWNSTREAM FLANGED

Tideflex
Technologies

Red Valve Company



Upstream Clamp - 18" Kings County Park Seattle



Tideflex
Technologies

Red Valve Company



Downstream Clamp - Clear Creek Mall, TX



Tideflex
Technologies

Red Valve Company



Downstream Clamp



Tideflex
Technologies

Red Valve Company



(10) 42" CheckMates (Pumped Application) Hidalgo & Cameron County Irrigation Dist. #9, TX



Tideflex
Technologies

Red Valve Company



(2) 60" CheckMate Valves - Australia



Tideflex
Technologies

Red Valve Company



72" CheckMate-Float, Sink, Pull Florida DOT



Tideflex
Technologies

Red Valve Company



Installation Procedure – Lubricate O.D.



Tideflex
Technologies

Red Valve Company



Installation Procedure - Lower



Tideflex
Technologies

Red Valve Company



Installation Procedure - Insert



Tideflex
Technologies

Red Valve Company



Installation Procedure – Clamp & Pin



Tideflex
Technologies

Red Valve Company



Installation Procedure – Clamp & Pin



Tideflex
Technologies

Red Valve Company



Louisville, KY



Tideflex
Technologies

Red Valve Company



Installation Procedure



Tideflex
Technologies

Red Valve Company 

Opening of a Large Checkmate



Tideflex
Technologies

Red Valve Company 

Rubber Adhesive Strip to Field Fit for Snug Fit

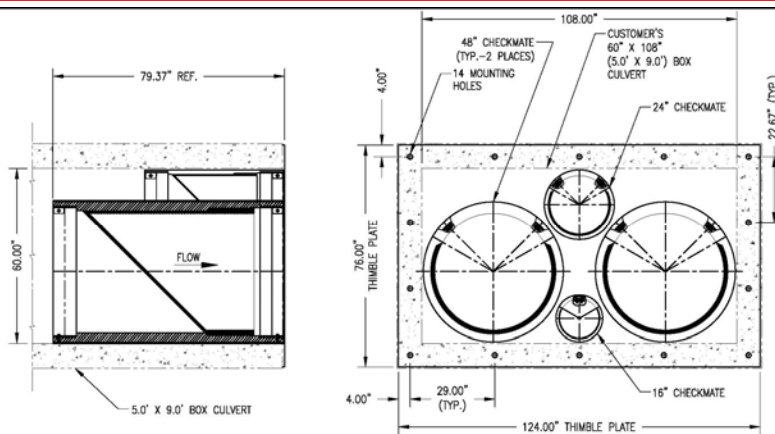


Tideflex
Technologies

Red Valve Company



Tandem CheckMate



Tideflex
Technologies

Red Valve Company



Arch Pipe CheckMate Check Valve



Tideflex
Technologies

Red Valve Company

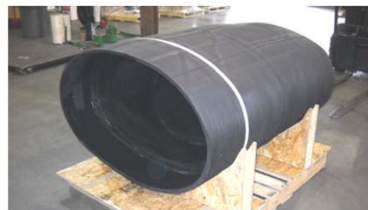


Elliptical CheckMate Check Valve

ASTM C-507 Elliptical Pipe Data (Horizontal and Vertical)					
Equivalent Round Size	Rise & Span Inside Diameter	Wall Thickness	Joint Length	Waterway Area	Weight Per Foot
18"	14" x 23"	2-3/4"	7-1/2"	1.8 sf.	200 lbs.
24"	19" x 30"	3-1/4"	7-1/2"	3.3 sf.	300 lbs.
30"	24" x 38"	3-3/4"	7-1/2"	5.1 sf.	430 lbs.
36"	29" x 45"	4-1/2"	7-1/2"	7.4 sf.	625 lbs.
42"	34" x 53"	5"	7-1/2"	10.2 sf.	815 lbs.
48"	38" x 60"	5-1/2"	7-1/2"	12.9 sf.	1000 lbs.
54"	43" x 68"	6"	6'	16.6 sf.	1235 lbs.
60"	48" x 76"	6-1/2"	5'	20.5 sf.	1475 lbs.

NOTE: All elliptical pipe can be furnished in Class II, III, and IV, or special designs. Contact our plant for special design products.

Initial D-load		Ultimate load
Class II =	1000 lbs.	1500 lbs.
Class III =	1350 lbs.	2000 lbs.
Class IV =	2000 lbs.	3000 lbs.



Tideflex
Technologies

Red Valve Company



Flanged Upstream

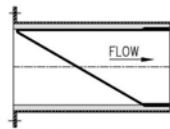
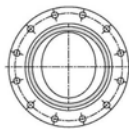


Tideflex
Technologies

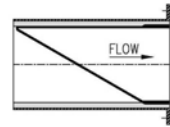
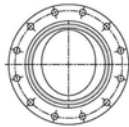
Red Valve Company



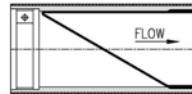
CheckMate Installation Options



UPSTREAM FLANGED THIMBLE INSERT



DOWNSTREAM FLANGED THIMBLE INSERT



THIMBLE INSERT NO FLANGE
UPSTREAM AND DOWNSTREAM

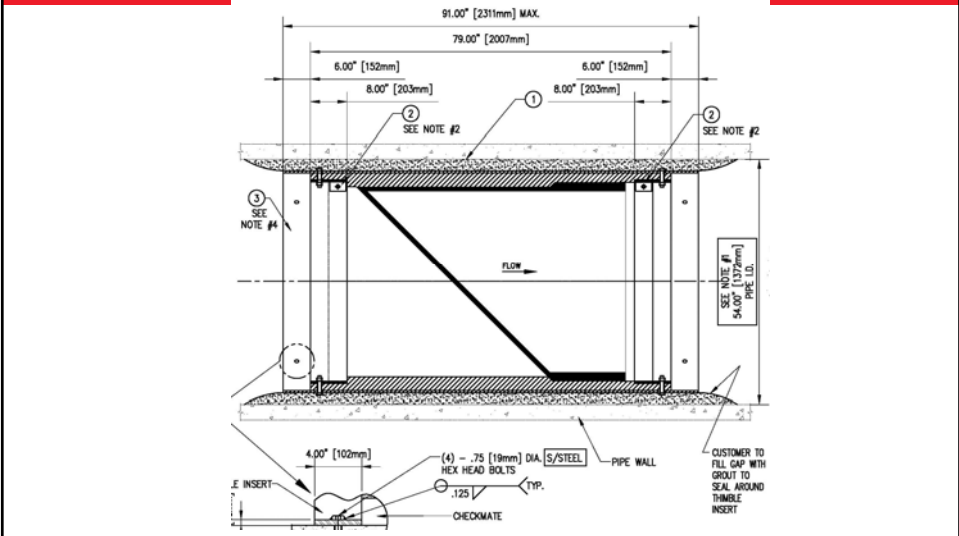


Tideflex
Technologies

Red Valve Company



CheckMate Thimble Insert



Red Valve Company



Thimble Insert-World Trade Center



Red Valve Company



World Trade Center



Tideflex
Technologies

Red Valve Company



World Trade Center



Tideflex
Technologies

Red Valve Company



World Trade Center



Tideflex
Technologies

Red Valve Company



Red Valve Company

600 North Bell Ave.
Carnegie, PA 15106
P: (412) 279-0044
F: (412) 279-7878
www.redvalve.com
www.tideflex.com



Tideflex
Technologies

Red Valve Company

