

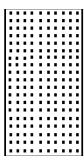
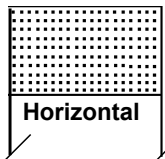
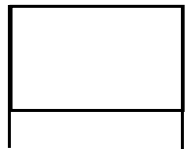
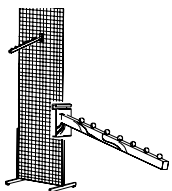

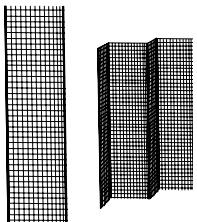
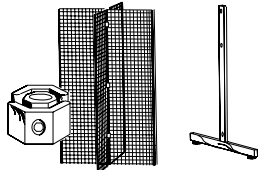
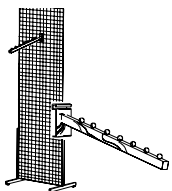
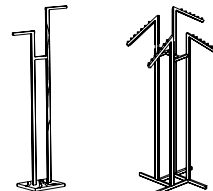
NAME OF SHOW: **WEFTEC 2020 / OCTOBER 3 - 7, 2020**

COMPANY NAME \_\_\_\_\_ BOOTH #: \_\_\_\_\_

CONTACT NAME: \_\_\_\_\_ PHONE #: \_\_\_\_\_

E-MAIL ADDRESS \_\_\_\_\_

**ACCESSORIES**

<p><b>PERFBOARD - SINGLE SIDED</b></p> <p><b>Vertical</b></p>  <p><b>Horizontal</b></p> 	<p><b>BULLETIN BOARD</b></p> 	<p><b>CHROME GARMENT RACK</b></p> 	<p><b>SMALL TICKET TUMBLER</b></p> 
<p><b>2' x 8' GRID PANELS</b></p> 	<p><b>4 WAY CONNECTORS &amp; GRID LEGS</b></p> 	<p><b>7-Ball WATERFALL</b></p> 	<p><b>2-WAY STRAIGHT ARM AND 4-WAY SLANT ARM</b></p> 

Qty	Part #	Description	Online Price	Discount Price	Standard Price	Total	Qty	Part #	Description	Online Price	Discount Price	Standard Price	Total
<b>PERFBOARD / BULLETIN BOARDS</b>							<b>ACCESSORIES</b>						
<p><b>Please indicate for Perfboard</b></p> <p><input type="checkbox"/> Horizontal    <input type="checkbox"/> Vertical</p>													
___	10201280	2'x8'-Perfboard/Single Sided..	113.15	124.45	158.40	___	___	10406	Garment Rack.....	117.85	129.65	165.00	___
___	10201480	4'x8'-Perfboard/Single Sided..	215.10	236.60	301.15	___	___	15905	Fish Bowl.....	40.65	44.70	56.90	___
___	10201484	4'x8'-Bulletin Board/Horz.....	215.10	236.60	301.15	___	___	159011	Ticket Tumbler - Small .....	121.95	134.15	170.75	___
___	1020410	4' x 10" Perfboard Shelf .....	80.65	88.70	112.90	___	___	10404	4-way Slant Arm .....	145.35	159.90	203.50	___
___	10201	Straight Hook .....	1.00	1.10	1.40	___	___	10402	2-way Straight Arm.....	121.15	133.25	169.60	___
___	10202	Loop Hook.....	1.20	1.30	1.70	___	<b>GRIDS</b>						
___	10203	Single Hook.....	2.55	2.80	3.55	___	___	103028	Chrome Grid.....	142.20	156.40	199.10	___
___	10204	Double Hook .....	3.60	3.95	5.05	___	___	103029	Grid Legs.....	20.45	22.50	28.65	___
							___	10307	7-Ball Waterfall (for grids).....	20.30	22.35	28.40	___
							___	103030	4 Way Grid Connectors.....	12.35	13.60	17.30	___

<b>TOTAL COST</b>
Sub-Total _____ + Tax (11.45%) _____ = TOTAL _____